

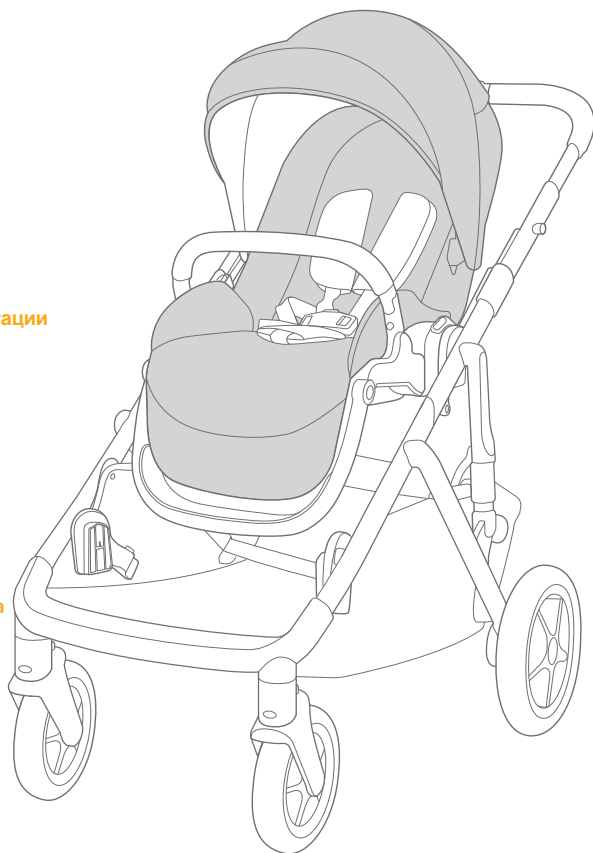
Joie™

signature

versiti™

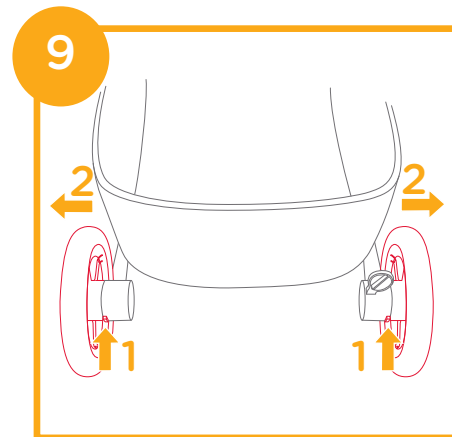
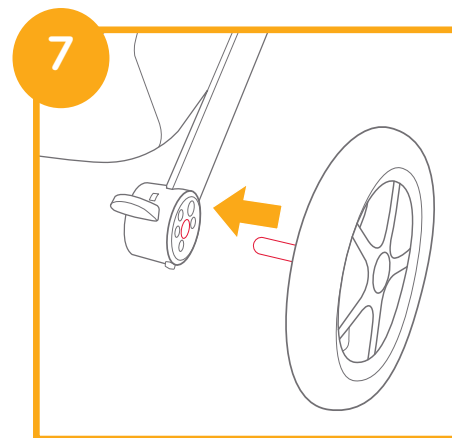
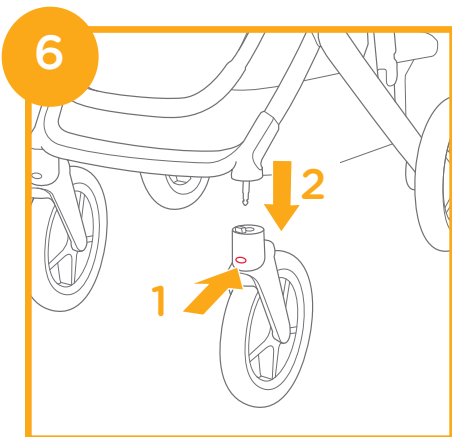
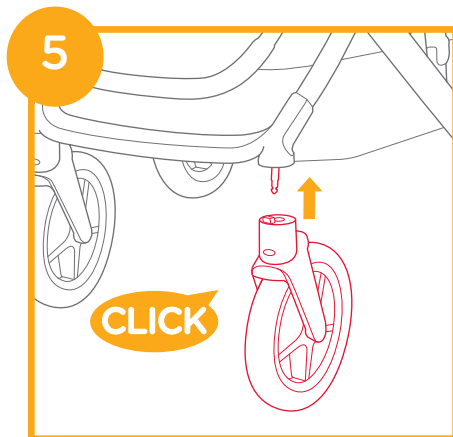
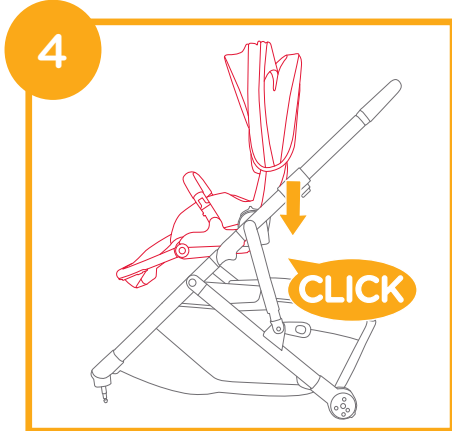
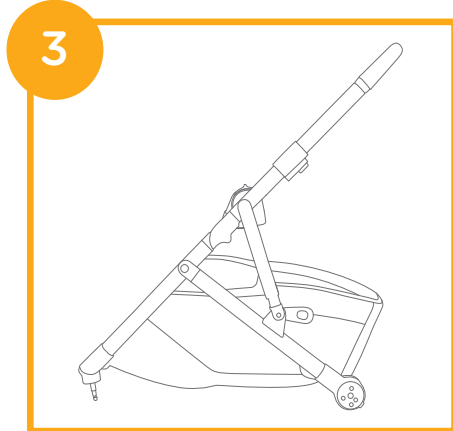
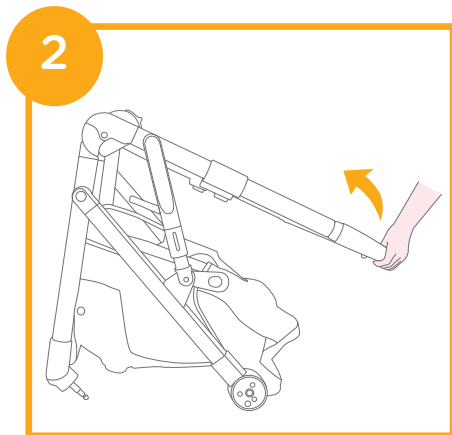
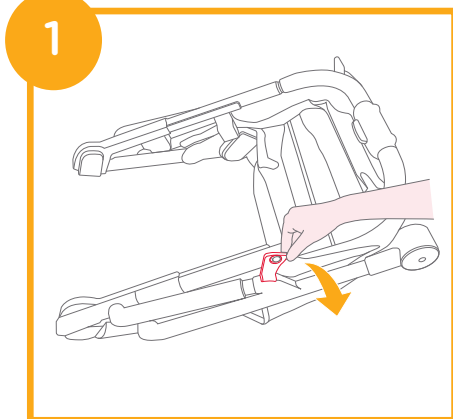
stroller

- EN Instruction Manual
- FR Manuel d'instructions
- DE Bedienungsanleitung
- NL Instructiehandleiding
- IT Manuale di istruzioni
- ES Manual de instrucciones
- PT Manual de instruções
- PL Instrukcja obsługi
- CZ Návod k použití
- SK Návod na použitie
- SL Navodila za uporabo
- RU Руководство по эксплуатации**
- DA Brugervejledning
- HU Használati utasítás
- RO Manual de instrucțiuni
- EL Εγχειρίδιο οδηγιών
- TR Kullanım Kılavuzu
- AR دليل التعميمات
- HR BIH Priručnik s uputama
- SV Bruksanvisning
- NO Bruksanvisning
- FI Käyttöopas
- ET Kasutusjuhend
- LV Lietošanas rokasgrāmata
- LT Naudojimo instrukcija
- KR 사용 설명서
- SR Uputstvo za upotrebu

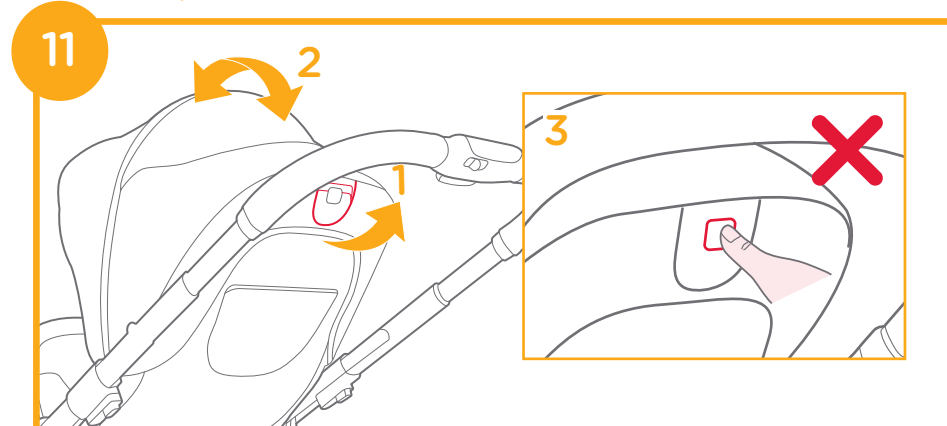


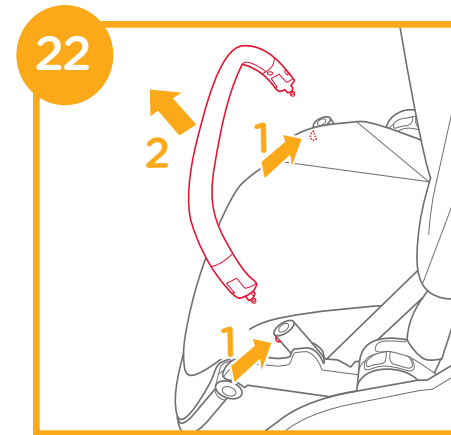
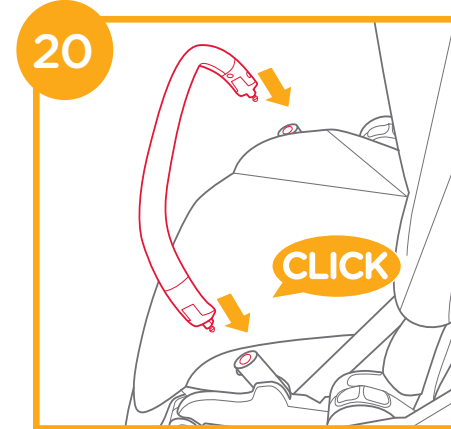
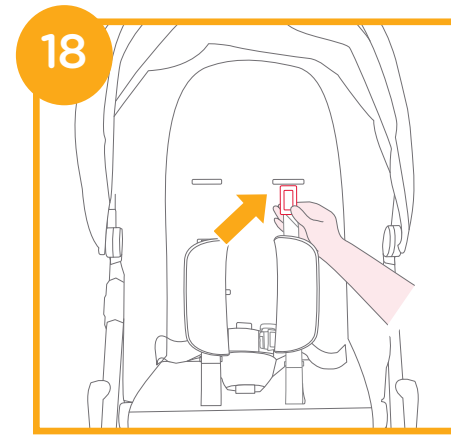
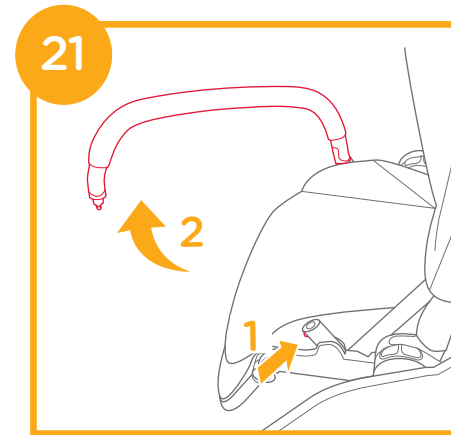
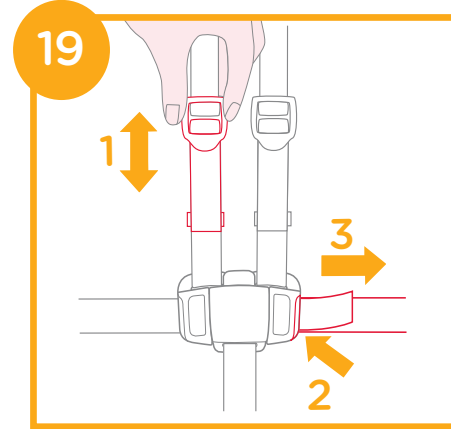
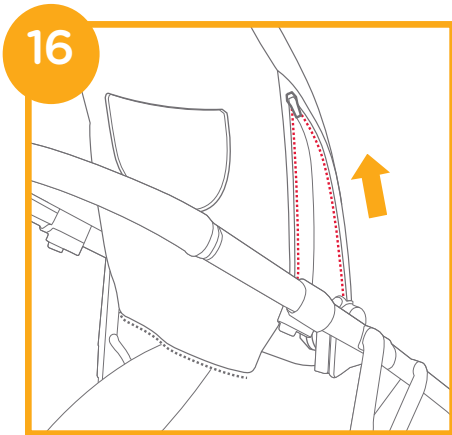
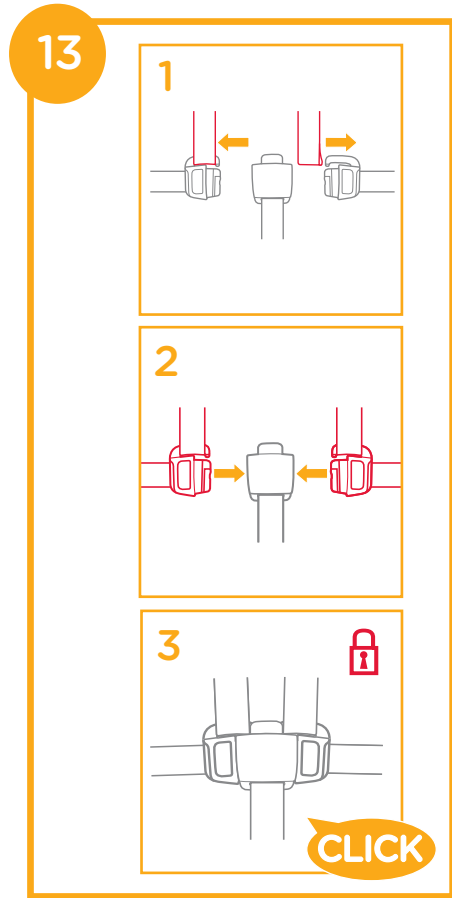
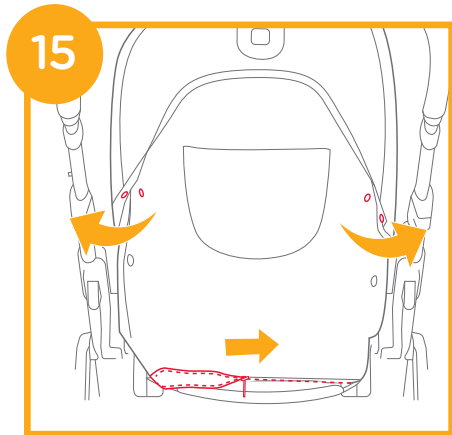
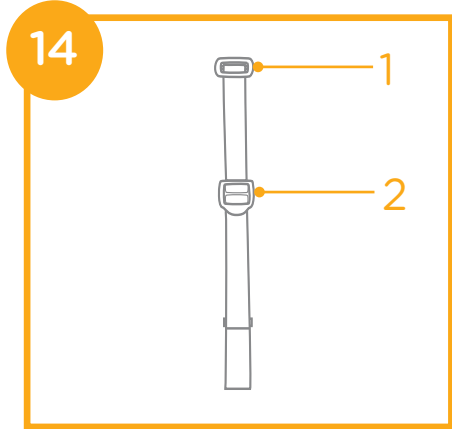
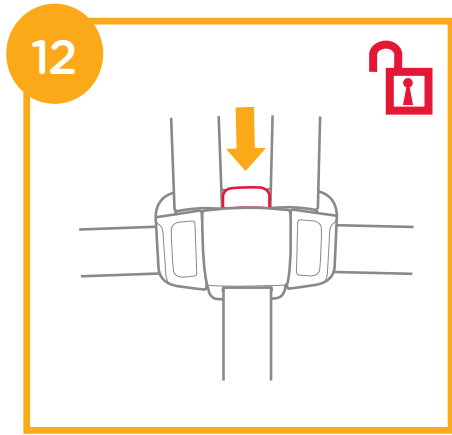
IMPORTANT - READ CAREFULLY AND KEEP FOR FUTURE REFERENCE.

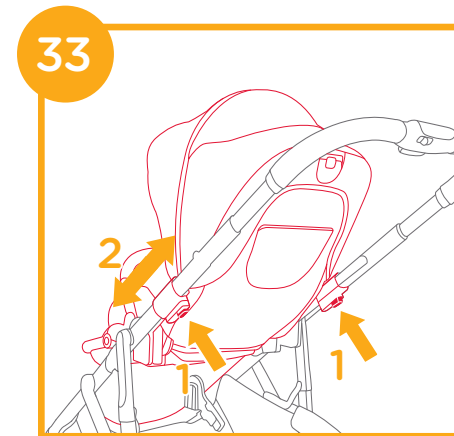
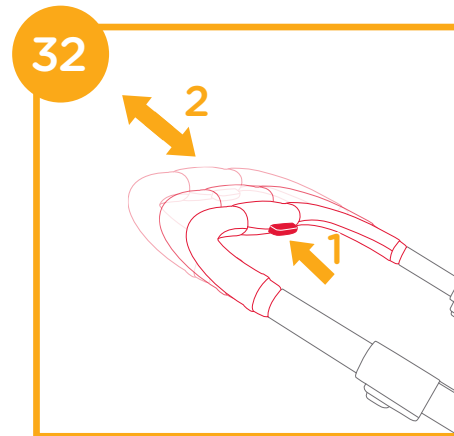
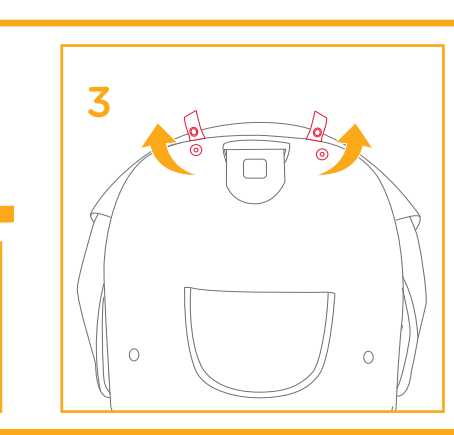
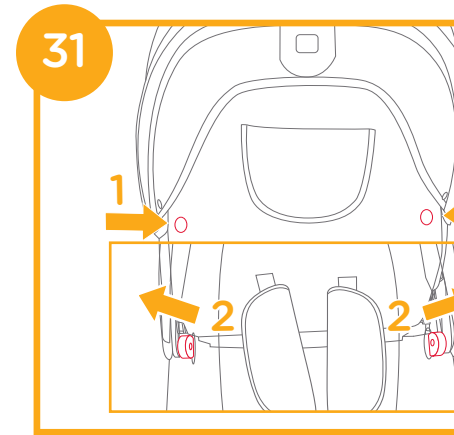
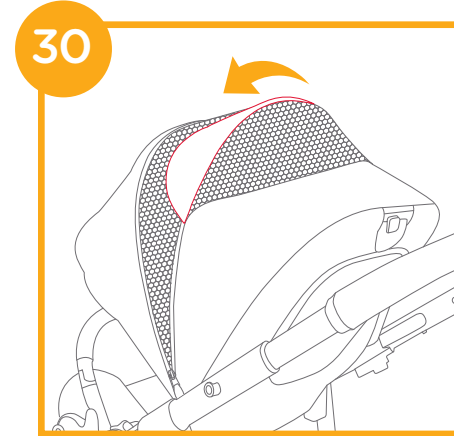
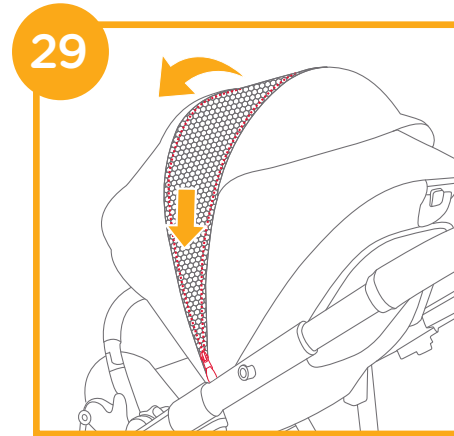
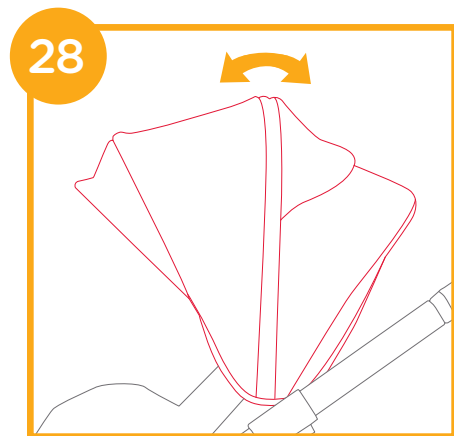
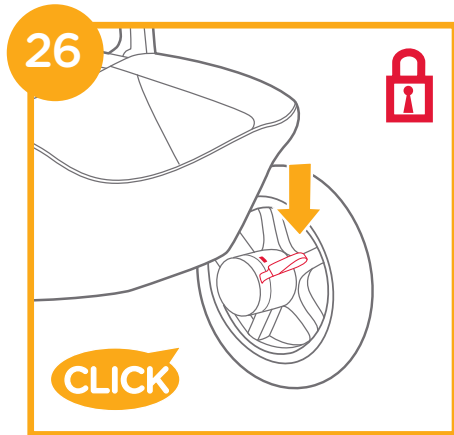
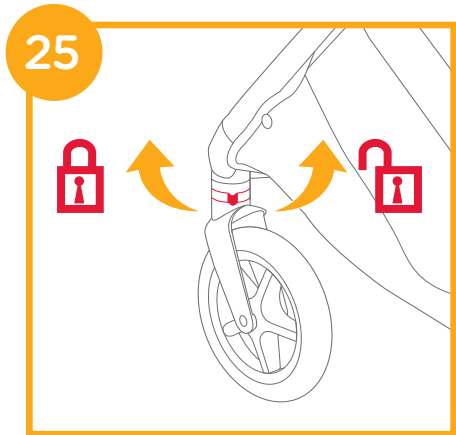
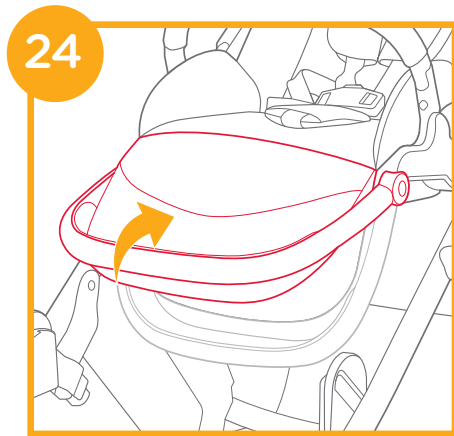
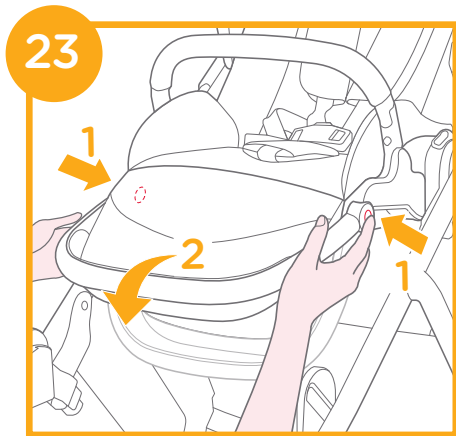
Stroller Assembly

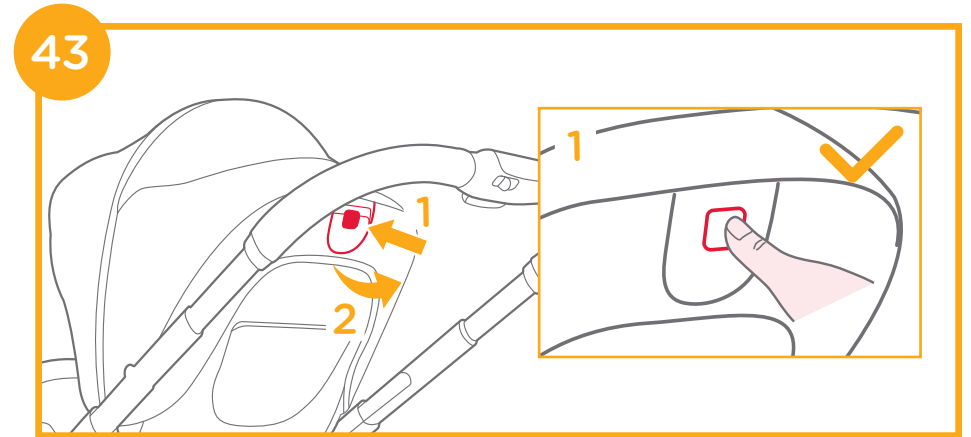
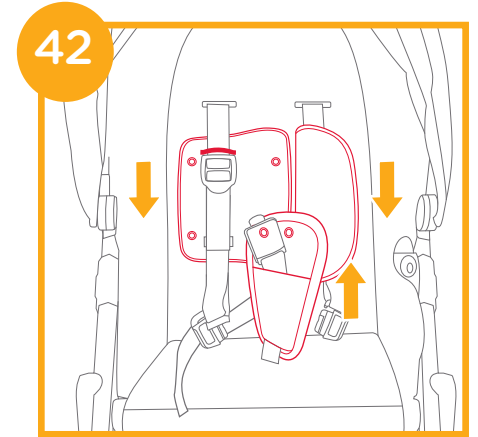
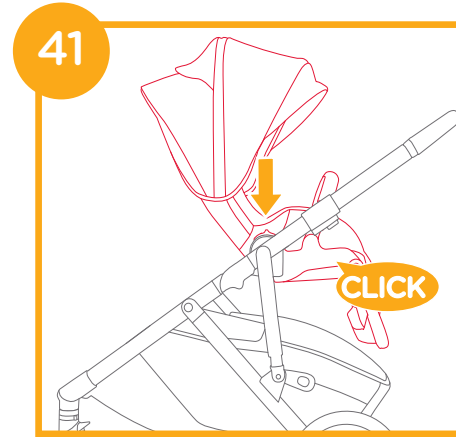
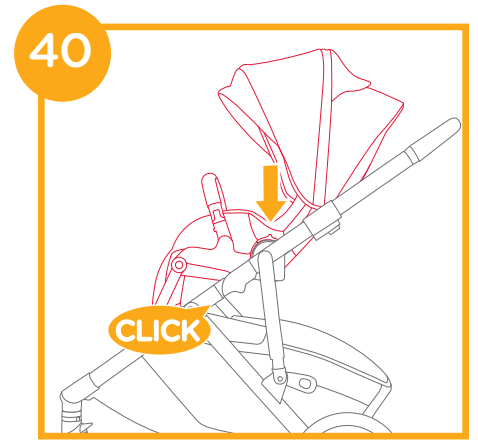
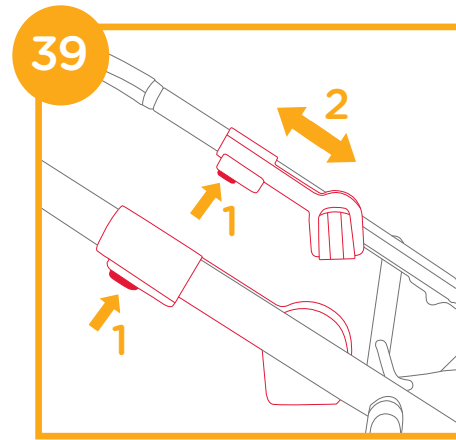
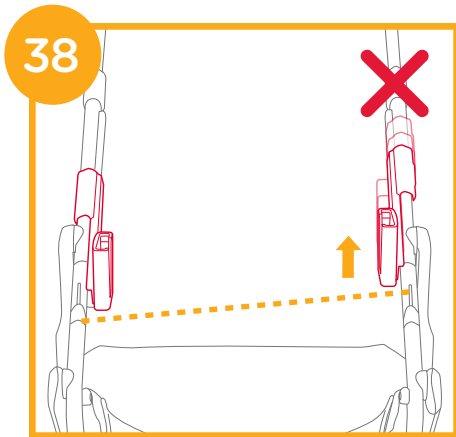
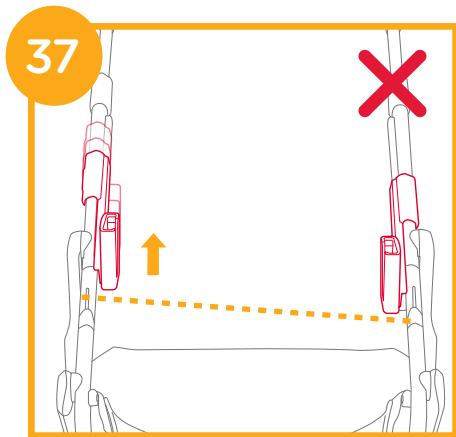
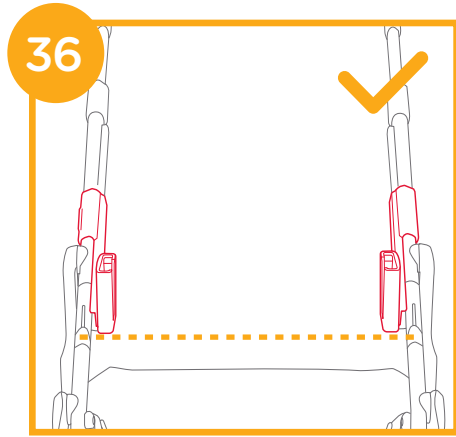
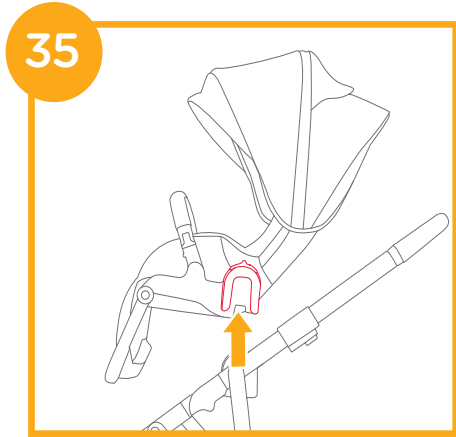
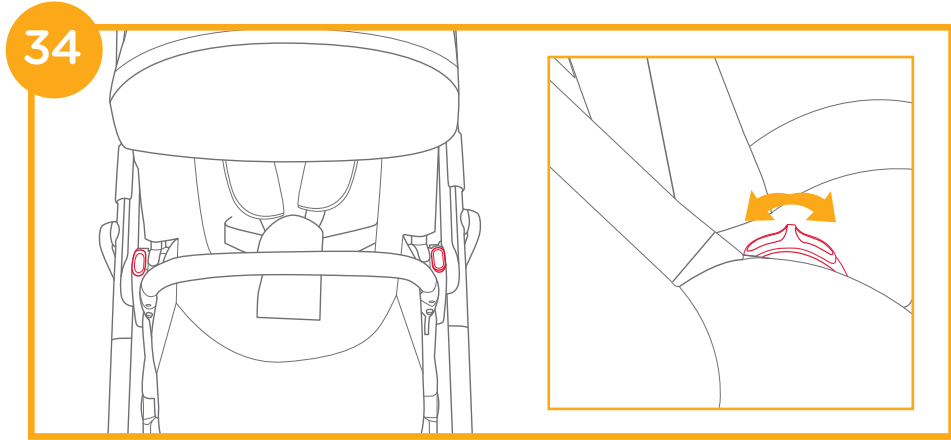


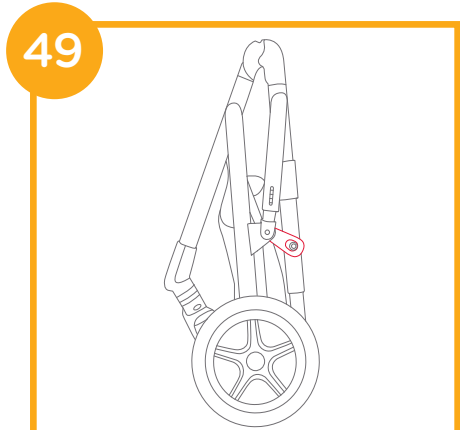
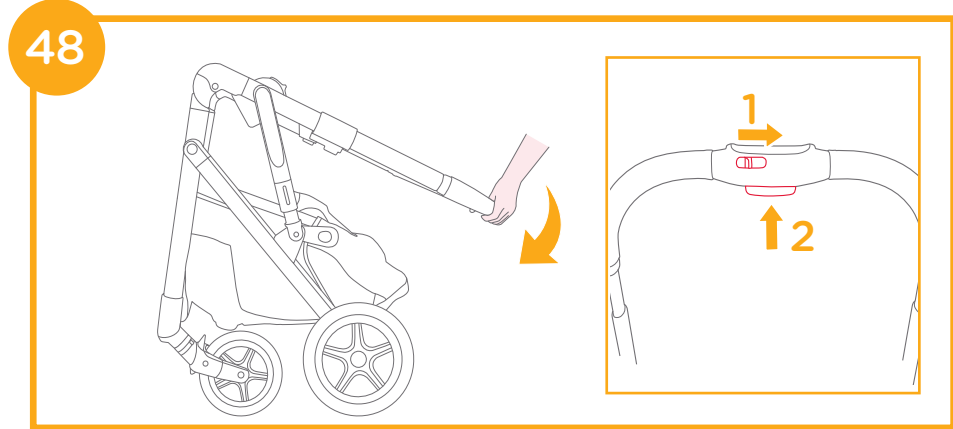
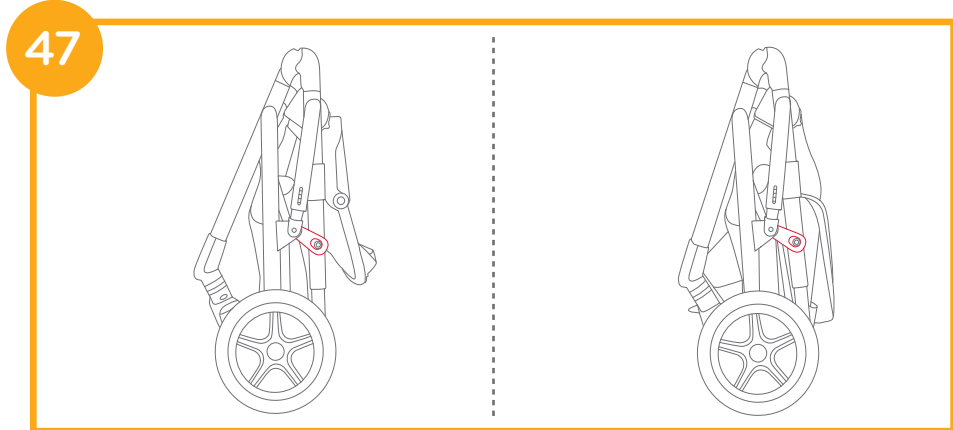
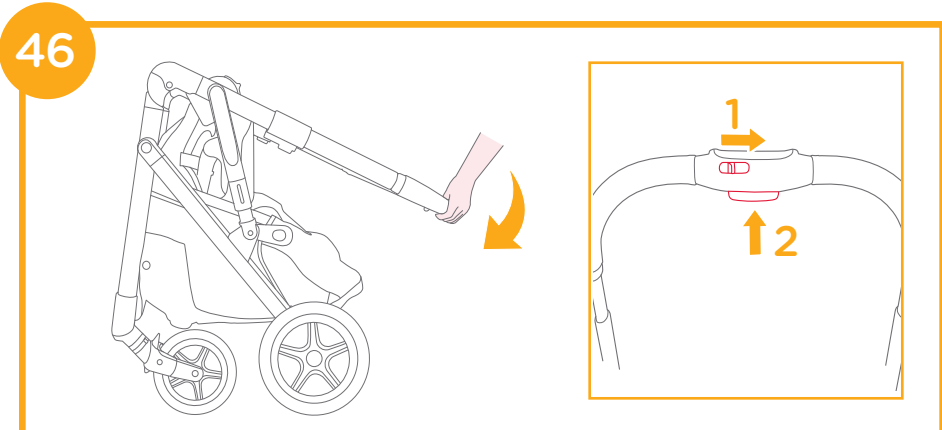
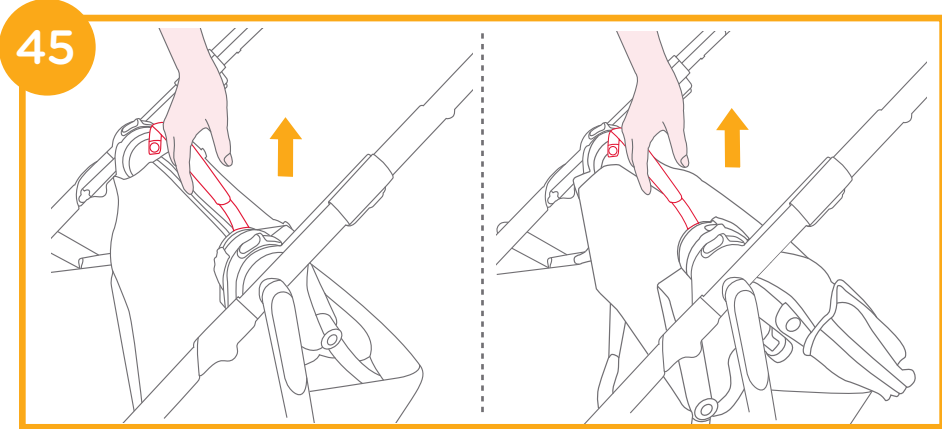
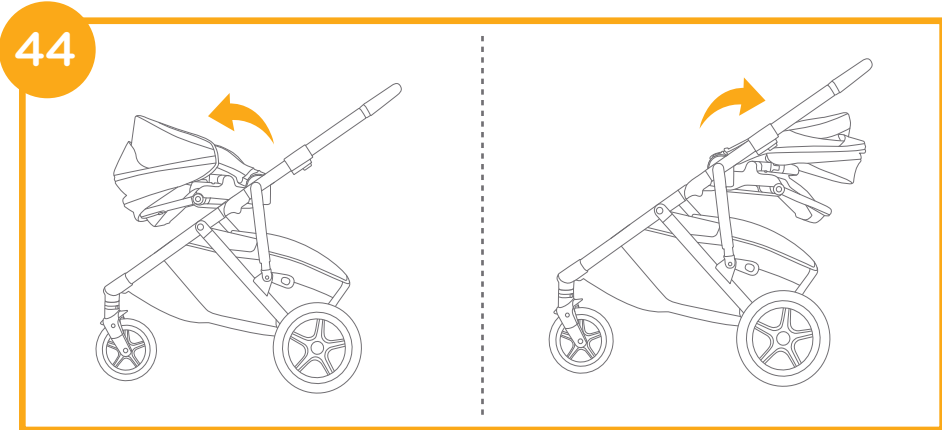
Stroller Operation







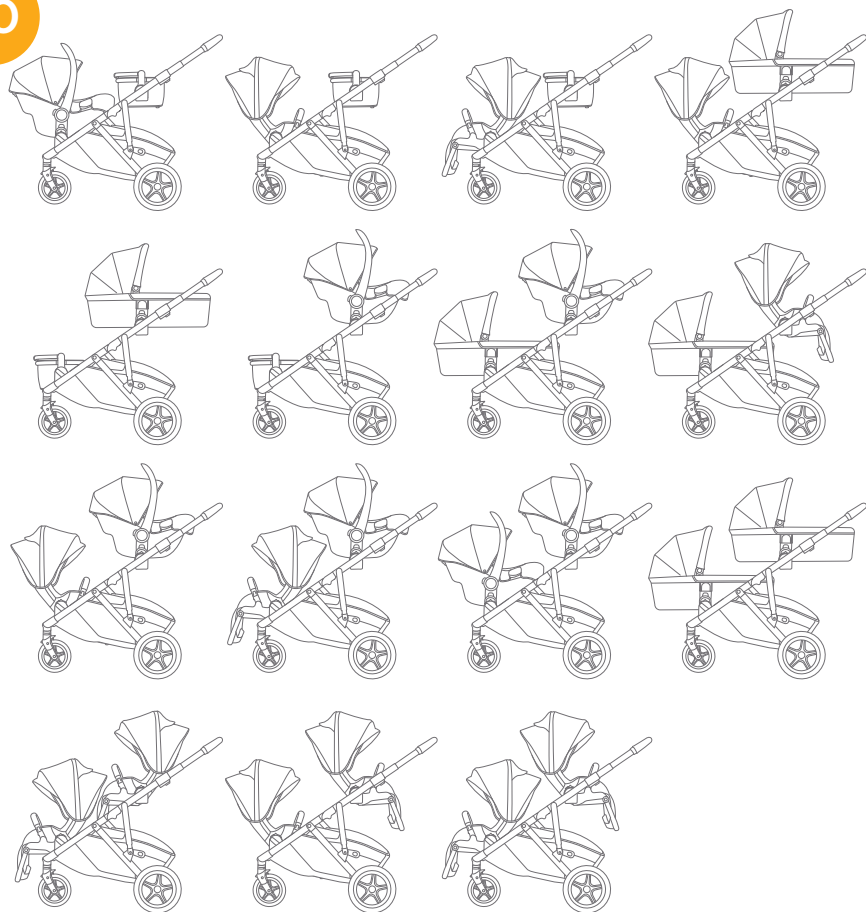




Accessories (May not be included in purchase)

Accessories may be sold separately or may not be available depending on region.

50

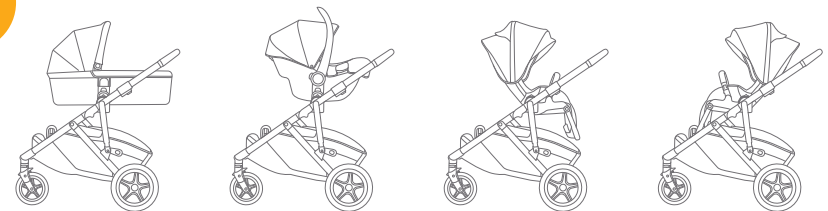


*The upper mount must be adjusted to the highest position



*The upper mount must be adjusted to the middle position

51



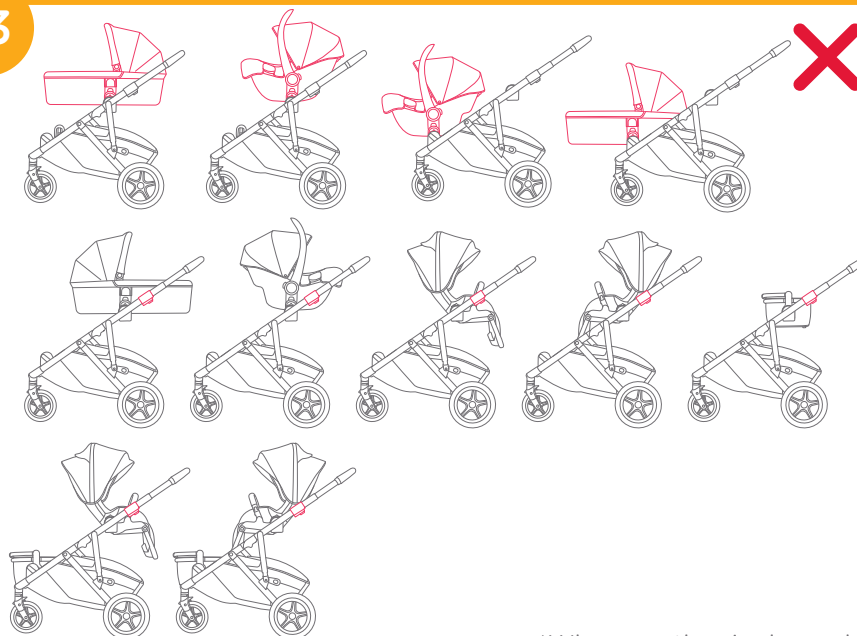
*middle position

52

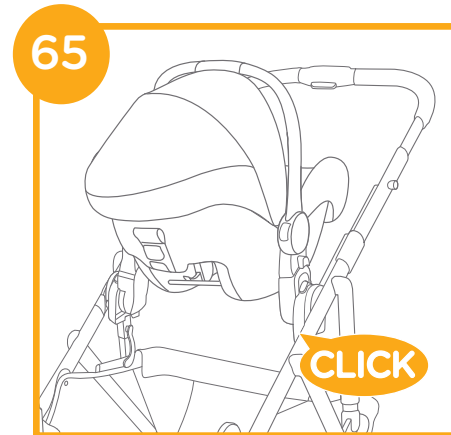
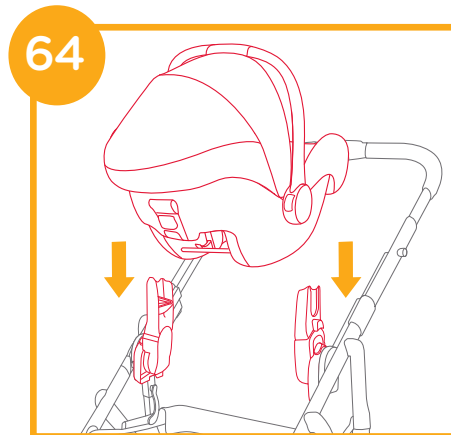
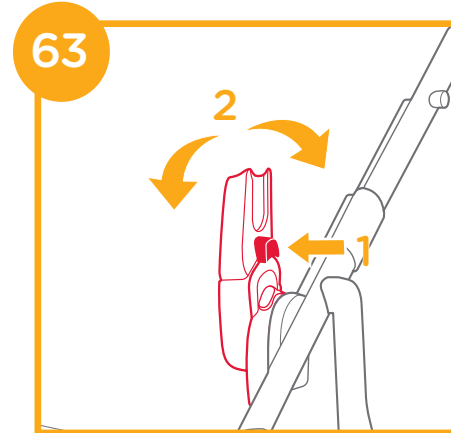
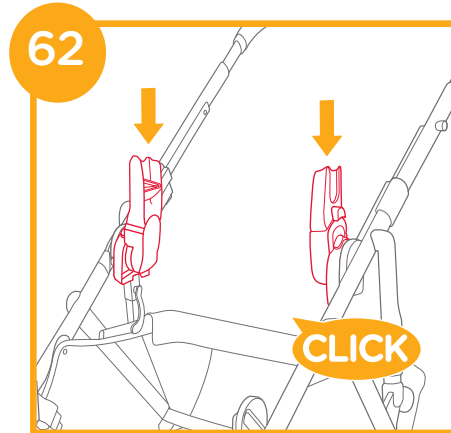
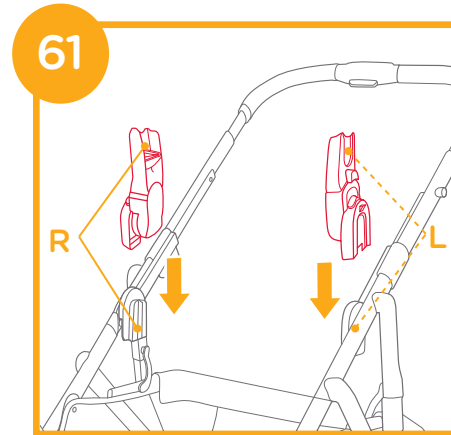
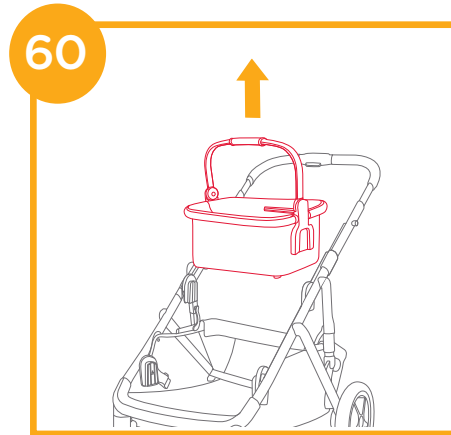
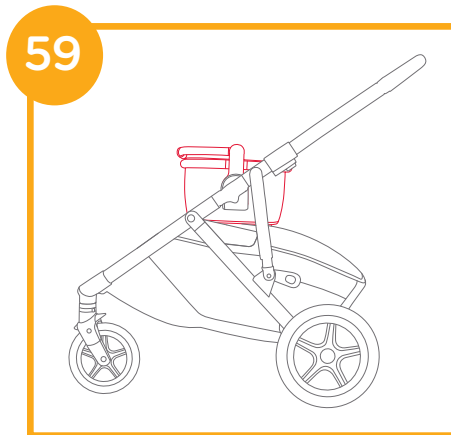
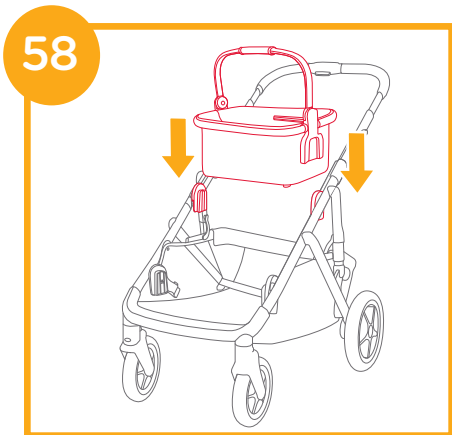
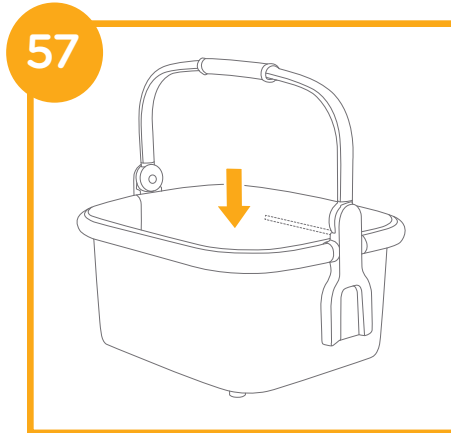
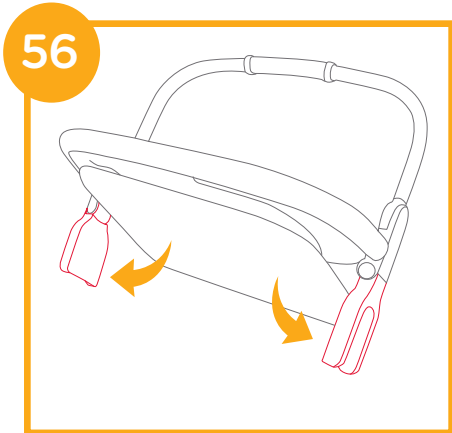
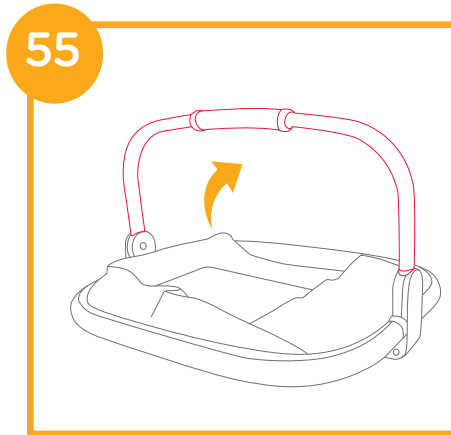
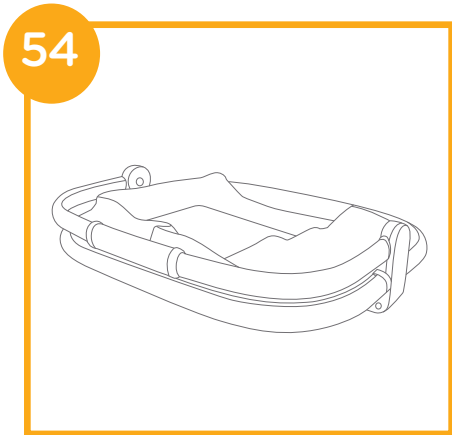


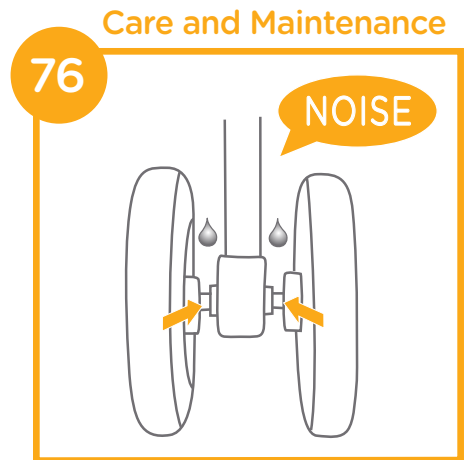
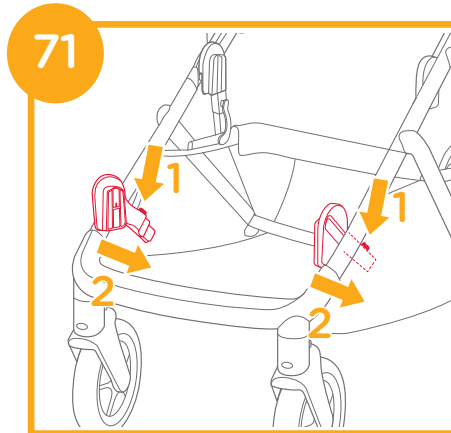
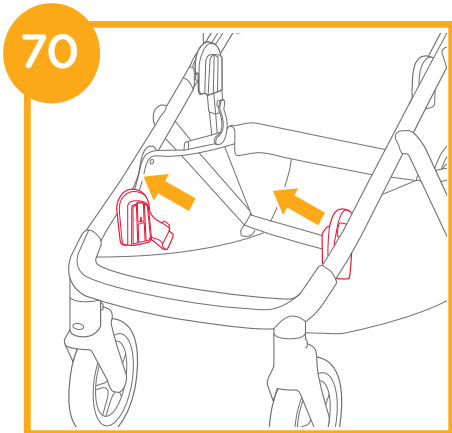
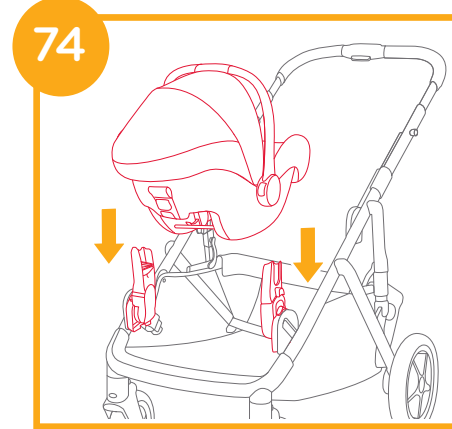
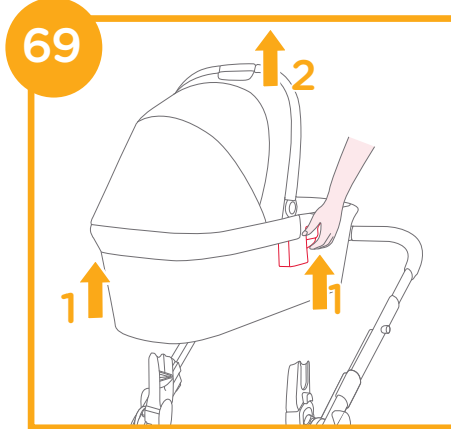
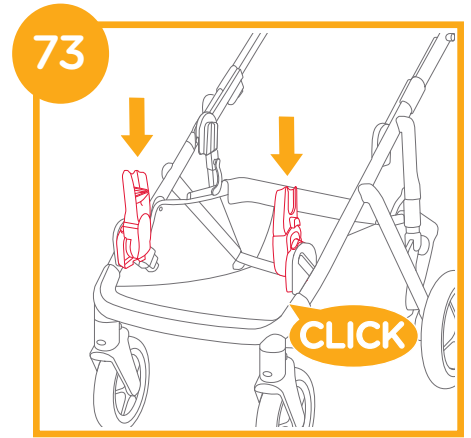
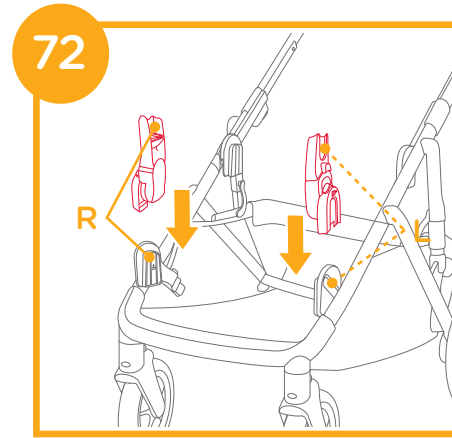
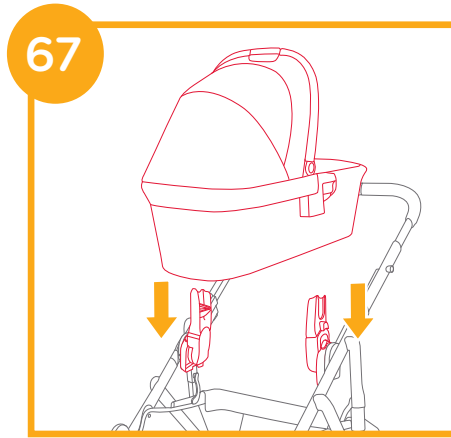
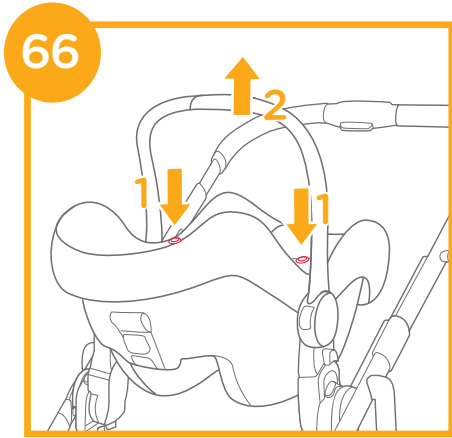
*lowest position

53



*When use the single mode,
The upper mount can not be adjusted to the highest position





GB Welcome to Joie™

Congratulations on becoming part of the Joie family! We are so excited to be part of your journey with your little one. While traveling with the Joie versiti, you are using a high quality, fully certified stroller, approved to European safety standards EN 1888-2:2018+A1:2022. The stroller is intended for children from birth up to 15 kg with rearward facing mode and from birth up to 22 kg or 4 years whichever comes first with forward facing mode. Please carefully read this manual and follow each step to ensure a comfortable ride and best protection for your child.

IMPORTANT - READ CAREFULLY AND KEEP FOR FUTURE REFERENCE.

Visit us at joiebaby.com to download manuals and see more exciting Joie products!

For warranty information, please visit our website at joiebaby.com

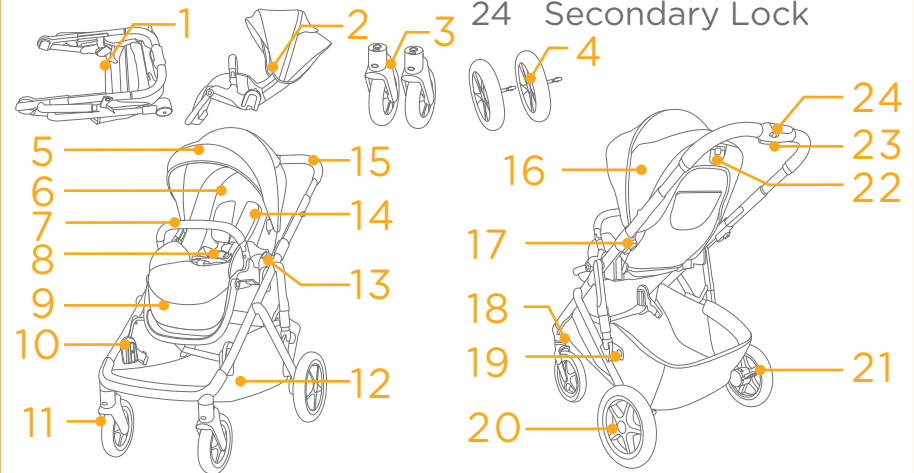
Emergency

In case of emergency or accident, it is most important to have your child taken care of with first aid and medical treatment immediately.

Parts List

Make sure all parts are available before assembly. If any part is missing, please contact local retailer. No tools are required for assembly.

- | | |
|------------------------|--------------------------------------------------|
| 1 Stroller Frame | 14 Shoulder Harness |
| 2 Seat | 15 Handle |
| 3 Front Wheels | 16 Canopy Window |
| 4 Rear Wheels | 17 Seat Height Adjustment Buttons |
| 5 Canopy | 18 Swivel Lock |
| 6 Seat Pad | 19 Storage Latch |
| 7 Armbar | 20 Rear Wheel |
| 8 Buckle | 21 Brake Lever |
| 9 Calf Support | 22 Recline Handle |
| 10 Lower Mount | 23 Handle Adjustment Button/One-Hand-Fold Handle |
| 11 Front Wheel | 24 Secondary Lock |
| 12 Storage Basket | |
| 13 Seat Release Button | |

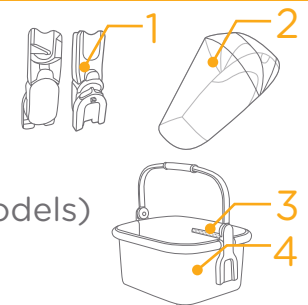


Accessories

(May not be included)

- | | |
|-------------------------------|---------------------------------------|
| 1 Adapter (on certain models) | 2 Rain Cover (on certain models) |
| 3 Handheld Basket Pocket | 4 Handheld Basket (on certain models) |

Accessories may be sold separately or may not be available depending on region.



WARNING

- ! Always use the restraint system.
- ! Ensure that all the locking devices are engaged before use.
- ! Do not let the child play with this product.
- ! Check that the pram body or seat unit or car seat attachment devices are correctly engaged before use.
- ! Adult assembly required.
- ! Use the stroller with only one child at a time in the each seat. The stroller is intended for children from birth up to 15 kg with rearward facing mode and from birth up to 22 kg or 4 years whichever comes first with forward facing mode.
- ! Use of the stroller with a child weighing more than 15 kg with rearward facing mode or more than 22 kg with forward facing mode will cause excessive wear and stress on this stroller.
- ! To prevent a hazardous, unstable condition, do not place more than 10kg in the storage basket.
- ! Never leave the child unattended.
- ! Never place purses, shopping bags, parcels or accessory items on the handle or canopy.
- ! Accessories which are not approved by the manufacturer shall not be used.
- ! Only replacement parts supplied or recommended by the manufacturer shall be used.
- ! To avoid injury ensure that the child is kept away when unfolding and folding this product.
- ! This product is not suitable for running or skating.
- ! Pushchair designed to be used from birth shall recommend the use of the most reclined position for new born babies.
- ! The parking device shall be engaged when placing and removing the children.

- ! For car seats used in conjunction with a chassis, this vehicle does not replace a cot or a bed. Should your child need to sleep, then it should be placed in a suitable pram body, cot or bed.
- ! Carry cot shall not be used, as soon as the child is able to sit by himself, roll over and can push itself up on its hands and knees. Maximum weight of the child: 9kg.
- ! No additional mattress shall be added unless recommended by the manufacturer.
- ! Any load attached to the handle and/or on the back of the backrest and/or on the sides of the vehicle will affect the stability of the vehicle.
- ! The maximum load of storage pocket on the back of backrest is 0.45kg (1lb).
- ! The maximum load of handheld basket is 10kg.

Stroller Assembly

(Please refer to figures on page 1-16)

Please read all the instructions in this manual before assembling and using this product.

Open Stroller

see images ① - ④

Separate storage latch from storage mount ①, and then lift the handle upwards ② & ③, a click sound means the stroller is open completely.

! Check that the stroller is completely latched before continuing to use.

Assemble & Detach Front Wheel

see images ⑤ - ⑥

Assemble & Detach Rear Wheel

see images ⑦ - ⑨

The completely assembled stroller is shown as ⑩

Stroller Operation

Adjust Backrest

see image ⑪

There are 4 recline angles for the backrest.

To raise or recline the backrest, rotate the recline handle on the back of the seat, pull down on the backrest. ⑪

! Please do not press the releasing button ⑪ - 3 on the middle of the recline handle when adjusting the angle for the recline.

! Make sure the recline is set properly for use.

! The maximum load of storage pocket on the back of backrest is 0.45kg.

Use Buckle

see images ⑫ - ⑬

Release Buckle

Press the button, the buckle will release automatically. ⑫

Lock Buckle

Match the waist belt buckle with the shoulder buckle ⑬ - 1, and align them with the center buckle, the buckle can lock automatically ⑬ - 2. A "click" sound means the buckle is locked completely. ⑬ - 3

! To avoid serious injury from falling or sliding out, always secure your child with harness.

! Make sure your child is snugly secured. The space between the child and the shoulder harness is about the thickness of one hand.

! Do not cross the shoulder belts. This will cause pressure on a child's neck.

Use Shoulder & Waist Harnesses

see images ⑭ - ⑮

! In order to protect your child from falling out, after your child is placed into the seat, check whether the shoulder and waist harnesses are at proper height and length.

⑭ - 1 Shoulder harness anchor

⑭ - 2 Slide adjuster

For larger child, use shoulder harness anchor and the highest shoulder slots. For smaller child, use shoulder harness anchor and the lowest shoulder slots.

To adjust the position of the shoulder harness anchor, turn the anchor to be level with the side facing forward. Thread it through the shoulder harness slot from back to front ⑰. Rethread it through the slot that is closest to child's shoulder height. ⑱

Use slide adjuster to change the harness length. ⑱ - 1

Press the button ⑱ - 2, while pulling the waist harness to proper length. ⑱ - 3

Assemble & Detach Armbar

see images ⑲ - ⑳

Adjust Calf Support

see images ㉑ - ㉒

The calf support has 2 positions.

To lower calf support, press the adjustment buttons on both sides of the calf support ㉑ - 1, and rotate the calf support downwards. ㉑ - 2

To raise the calf support, push it upwards. A "click" sound means the calf is locked completely.

Use Front Swivel Lock

see image ㉓

Front wheel locked or unlocked status as ㉓.

Tip It is recommended to use swivel locks on uneven surfaces.

Use Brake

see images ㉔ - ㉕

To lock wheels, step the brake lever downwards, the indicator will show red. ㉔

To release wheels, step the brake lever downwards again, the indicator will show green. ㉕

Tip Always set the parking brake when stroller is not moving.

Use Canopy

see images ㉖ - ㉗

The canopy can be opened or folded, pull it toward front or back. ㉖

The canopy can be opened completely to protect your child from the sun uttermostly, just unzip the zip ㉖, and then pull the canopy toward front.

There is a window on the canopy, through which you can view your baby. ㉗

The canopy can be detached show as ㉗

Adjust Handle

see image ㉘

The handle has 5 positions.

Adjust Seat Height

see image ㉙

The seat has 3 positions.

Press the seat height adjustment buttons and pull up to increase or push down to decrease the seat height. ㉙

Switch Seat

see images ㉚ - ㉛

The seat can be switched which makes mother and child can face to face with each.

Slide the seat release buttons while lifting the seat. Turn the seat to reverse direction and then insert the seat to seat mounts.

Both seat mounts need to be level shown as ㉚, if the situations shown as ㉚ & ㉚ happen, please press the seat height adjustment button and pull up or push down to adjust the seat mount to make sure the both seat mounts to be level. ㉚

Use Shoulder Harness Cover and Crotch Harness Cover

see image 42

The shoulder harness cover or crotch harness cover can be removed from the webbing.
To assemble shoulder harness cover and crotch harness cover in reverse steps.

Fold Stroller

see images 43 - 45

- ! Please fold the canopy before folding the stroller.
- ! The button on the middle of the recline handle is used for folding the seat. 43 - 1
- ! The folded stroller can stand except the handle is in the highest position.
- ! Please do not fold the frame when front wheel swivel lock is locked.
- ! The storage latch will automatically hook onto the storage mount, then the stroller is folded and locked completely. 47 & 48

Seating Option Use

see images 49 - 53

The stroller can be used with double mode or single mode. When using the stroller frame with seat (Versiti Sibling Seat), handheld basket, Joie carry cot (ramble, rambler xl and calmi) or Joie infant child restraint (i-Sung 2, i-Gemm 3, i-Jemini, sprint and i-Level Pro), please refer to the following instructions.

- ! NOT all accessories are included on some models and not all modes are allowed.
- ! When use the double mode, the upper mount must be adjusted to highest position or middle position. Please refer to fig. 50 for specific position for upper mount.
- ! When use the single mode, only be used with the upper mount. Seat, carry cot or infant child restraint must be adjusted to middle or lowest position, handheld basket must be adjusted to lowest position only. 51 & 52
- ! DO NOT use the stroller frame with the seat, handheld basket, carry cot or infant child restraint shown as 53

Use Accessories

Accessories may be sold separately or may not be available depending on region.

Use with Handheld Basket

see images 54 - 56

- When using with handheld basket, please refer to the following instructions.
- ! Please open the mount on both sides before attaching the handheld basket. 54
 - ! Please do not fold the stroller when the handheld basket is still attached.

Use with Infant Child Restraint on Upper Mount

see images 57 - 58

- When using with Joie infant child restraint, please refer to the following instructions.
- ! The letters on the adaptors are the same as those on the frame plastic. 57
 - ! A “click” sound means the adaptors is locked completely.
 - ! The infant child restraint angle can be adjusted with our adjustable adaptors. 58
 - ! The adaptors has 3 positions. Please do not use the product when the baby's head is lower than feet after attached infant child restraint.
 - ! Please do not fold the stroller when the infant child restraint is still attached.
 - ! If you have any problems about using the infant child restraint, please refer to their own instruction manuals.

Use with Joie Carry Cot on Upper Mount

see images 59 - 63

- When using with Joie carry cot, please refer to the following instructions.
- ! A “click” sound means the adaptors is locked completely.
 - ! Please do not use the product when the baby's head is lower than feet after attached carry cot.
 - ! Always use the mattress when using the carry cot.
 - ! Please don't fold stroller when attaching the carry cot.
 - ! If you have any problems about using the carry cot, please refer to their own instruction manuals.

Use with Infant Child Restraint and Carry Cot on Lower Mount

see images 64 - 74

- When using with Joie infant child restraint and carry cot, please refer to the following instructions.
- ! Please pull out the lower mount on both sides before used. 70
 - ! Lower mount can be folded by pressing buttons on both sides. 71
 - ! The letters on the post adaptors are the same as those on the frame plastic. 72
 - ! A “click” sound means the adaptors is locked completely.
 - ! The infant child restraint angle can be adjusted of 3 positions with our adjustable adaptors. 65
 - ! Please do not use the product when the baby's head is lower than feet after attached infant child restraint or carry cot.
 - ! Always use the mattress when using the carry cot.
 - ! Please don't fold stroller when attaching the infant child restraint or carry cot.
 - ! If you have any problems about using the infant child restraint and carry cot, please refer to their own instruction manuals.

Use Rain Cover

see image 75

- To assemble the rain cover, place it over the seat.
- ! When using the rain cover, please always check its ventilation.
 - ! When not in use, please check that the rain cover has been cleaned and dried before folding.
 - ! Do not fold the stroller after assembling the rain cover.
 - ! Do not place your child into the stroller assembled with rain cover during hot weather.

Cleaning and Maintenance

see image 76

- ! To clean stroller frame, use only household soap and warm water. No bleach or detergent. Please refer to the care label for instructions on cleaning the fabric parts of the stroller.
- ! Removable soft goods can be washed by machine. No bleach. Do not twist the seat cover and inner padding to dry with great force. It may leave the seat cover and inner padding with wrinkles.
- ! From time to time, check your stroller for loose screws, worn parts, torn material or stitching. Replace or repair the parts as needed. Periodically wipe clean plastic parts with a soft damp cloth. Always dry the metal parts to prevent the formation of rust if the stroller has come into contact with water.
- ! Excessive exposure to sun or heat could cause fading or warping of parts.
- ! If stroller becomes wet, open canopy and allow to dry thoroughly before storing.
- ! If wheels squeak, use a light oil (e.g., Silicon Spray, antirust oil, or sewing machine oil). It is important to get the oil into the axle and wheel assembly. 76
- ! When using your stroller at the beach or other sandy/dusty environments, completely clean your stroller after use to remove sand and salt from mechanisms and wheel assemblies.

FR Bienvenue dans l'univers de Joie™

Félicitations, vous faites désormais partie de la famille Joie™ ! Nous avons hâte de vous accompagner dans vos balades avec votre bébé. En choisissant la poussette Versiti™ de la collection Joie™ Signature, vous utilisez un produit de grande qualité, certifié par un laboratoire agréé indépendant et conforme aux normes européennes de sécurité EN 1888-2:2018 +A1:2022. Cette poussette convient aux enfants de la naissance à 15 kg avec une installation du siège face à vous et aux enfants de la naissance à 22kg dans les autres modes d'utilisation. Veuillez lire attentivement et suivre chaque étape de ce mode d'emploi pour garantir le confort et la meilleure protection de votre enfant lors de vos déplacements.

IMPORTANT - A LIRE ATTENTIVEMENT ET A CONSERVER POUR CONSULTATION ULTERIEURE.

Rendez-vous sur notre site joiebaby.com si vous avez besoin d'informations complémentaires ou pour télécharger des manuels d'instructions et découvrir d'autres produits intéressants de la marque Joie™! Pour plus d'informations sur la garantie, veuillez consulter notre site Web à l'adresse suivante: www.joiebaby.com

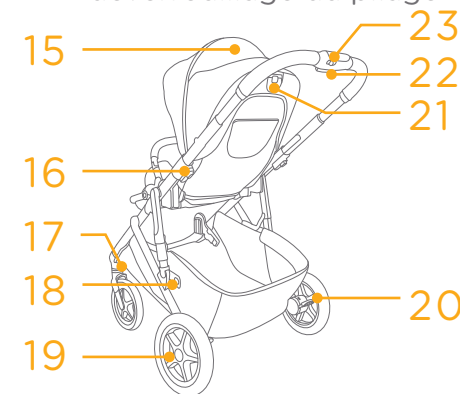
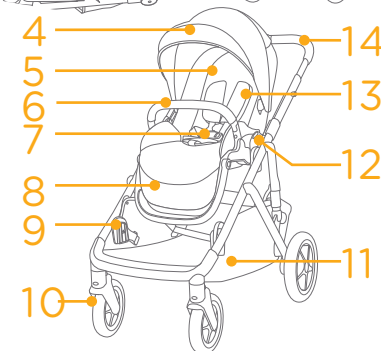
En cas d'urgence

En cas d'urgence ou d'accident, il est très important de prendre immédiatement soin de votre enfant en lui prodiguant les soins des premiers secours puis en le faisant examiner par un médecin.

Liste des pièces

Assurez-vous que toutes les pièces sont présentes avant le montage. Si une pièce est manquante, contactez votre revendeur local. Le montage ne nécessite aucun outil.

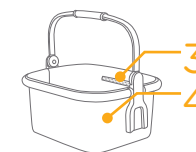
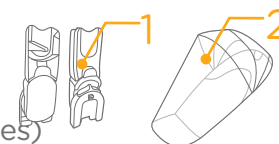
- | | | | |
|----|-----------------------------------|----|-----------------------------------------------|
| 1 | Châssis | 13 | Harnais d'épaules |
| 2 | Roues avant | 14 | Guidon |
| 3 | Roues arrière | 15 | Fenêtre de la capote |
| 4 | Capote | 16 | Boutons de réglage de la hauteur du siège |
| 5 | Coussin du siège | 17 | Système de verrouillage des roues avant |
| 6 | Barre d'appui | 18 | Loquet de fermeture |
| 7 | Boucle de harnais | 19 | Roue arrière |
| 8 | Repose-jambes | 20 | Pédale de frein |
| 9 | Support pour adaptateurs | 21 | Loquet d'inclinaison du dossier |
| 10 | Roue avant | 22 | Bouton de réglage et pliage une main |
| 11 | Panier de rangement | 23 | Bouton secondaire de déverrouillage du pliage |
| 12 | Bouton de déverrouillage du siège | | |



Accessoires

(Peuvent ne pas être inclus)

- | | |
|---|-------------------------------------------|
| 1 | Adaptateur (sur certains modèles) |
| 2 | Habillage de pluie (sur certains modèles) |
| 3 | Pochette pour panier de course |
| 4 | Panier de course (sur certains modèles) |



Les accessoires peuvent être vendus séparément ou ne pas être disponibles selon la région.

AVERTISSEMENTS

- ! AVERTISSEMENT : Ne jamais laisser l'enfant sans surveillance
- ! AVERTISSEMENT : S'assurer que tous les dispositifs de verrouillage sont enclenchés avant utilisation.
- ! AVERTISSEMENT : Pour éviter toute blessure, maintenir votre enfant à l'écart lors du dépliage ou du pliage du produit.
- ! AVERTISSEMENT : Ne pas laisser votre enfant jouer avec ce produit.
- ! AVERTISSEMENT: Toujours utiliser le système de retenue.
- ! AVERTISSEMENT : Ce produit ne convient pas pour faire du jogging ou des promenades en rollers.
- ! AVERTISSEMENT : Vérifier que les dispositifs de fixation de la nacelle, du siège ou du siège auto sont correctement enclenchés avant utilisation.
- ! AVERTISSEMENT : Assurez-vous que le dispositif de blocage à l'arrêt est enclenché lorsque l'on place l'enfant dans le véhicule ou qu'on l'en sort.
- ! AVERTISSEMENT : Ne pas utiliser d'accessoires qui ne sont pas approuvés par le fabricant.
- ! AVERTISSEMENT : Seules les pièces de rechange fournies ou recommandées par le fabricant/distributeur doivent être utilisées.
- ! AVERTISSEMENT : Toute charge attachée au poussoir et/ou à l'arrière du dossier et/ou sur les côtés du véhicule peut influencer sur la stabilité du véhicule.
- ! AVERTISSEMENT : Ce véhicule ne remplace pas un couffin ou un lit. Lorsque l'enfant a besoin de dormir il convient de le placer dans une nacelle, un couffin ou un lit approprié.
- ! AVERTISSEMENT : S'assurer que les dispositifs de fixation du cadre de la poussette et du siège sont correctement enclenchés avant utilisation.
- ! Cette poussette est conçue pour une utilisation avec un seul enfant dans chaque siège uniquement. Le deuxième siège est vendu séparément.
- ! Lorsque le siège est installé face à vous, l'enfant qui est installé dans cette position ne doit pas peser plus de 15 kg.
- ! Lorsque d'autres modes d'installation sont utilisés, la poussette est conçue pour des enfants de la naissance jusqu'à 22 kg (4 ans env.) et toujours un dans chaque siège.
- ! L'utilisation de la poussette avec un enfant plus lourd et/ou plus grand suivant les différents modes d'utilisation peut endommager la poussette.
- ! Il est conseillé d'utiliser la poussette avec le dossier dans sa position la plus inclinée pour les nouveau-nés.
- ! L'assemblage doit être réalisé par un adulte.
- ! Pour éviter le coincement des doigts, faites attention lors du pliage et du dépliage de la poussette.
- ! Assurez-vous que la poussette est complètement ouverte ou pliée avant de laisser un enfant à proximité de la poussette.
- ! Pour empêcher tout basculement, ne laissez jamais l'enfant monter seul dans la poussette. Il faut toujours installer et sortir vous-même l'enfant de la poussette.
- ! Assurez-vous que le corps de l'enfant est exempt des pièces mobiles lors du réglage de la poussette.
- ! Surchargée, mal pliée et utilisée avec des accessoires non homologués par le fabricant, la poussette pourrait s'endommager ou se casser.
- ! Ne placez pas des sacs à main, des sacs de courses, des colis ou autres accessoires sur la poignée ou sur la capote.
- ! Pour éviter des situations instables ou dangereuses, ne rangez pas plus de 10kg dans le panier de course.
- ! Utilisez toujours le système de retenue pour éviter que l'enfant ne se blesse en tombant ou en glissant du siège. L'enfant peut glisser en sous marinage par les ouvertures des jambes et être étranglé si le harnais n'est pas attaché.
- ! N'utilisez jamais la poussette dans des escaliers ou escaliers mécaniques. Lorsque vous montez ou descendez des escaliers ou des escalators, sortez toujours votre enfant de la poussette et pliez-la.

- ! NE placez pas dans la poussette des objets chauds, des liquides ou des appareils électroniques. Ne placez pas la poussette à proximité d'une source de chaleur.
- ! NE jamais laisser votre enfant se tenir debout sur la poussette ou s'asseoir avec la tête vers l'avant.
- ! NE jamais stationner la poussette sur la route, dans une pente ou dans un endroit ou zones dangereuses.
- ! Activer toujours le système de freinage lorsque vous stationnez la poussette.
- ! NE lâchez pas votre poussette à proximité des routes ou des voies ferrées, même si le frein est serré, car l'appel d'air dû au passage d'une voiture ou d'un train pourrait la déplacer.
- ! NE levez pas la poussette lorsque l'enfant se trouve dans la poussette.
- ! Pour éviter tout risque d'étranglement, ne placez AUCUN objet avec une ficelle autour du cou de votre enfant, ne suspendez aucune ficelle à ce produit, et n'attachez aucune ficelle aux jouets.
- ! Pour éviter tout risque d'étouffement, enlevez le sac en plastique et les matériaux d'emballage avant d'utiliser ce produit. Le sac en plastique et les matériaux d'emballage doivent être conservés hors de portée des bébés et des enfants.
- ! L'utilisateur doit assurer l'entretien régulier de cette poussette. La poussette doit être contrôlée après une longue période d'inutilisation.
- ! Arrêtez d'utiliser la poussette si elle est endommagée ou cassée.
- ! Veuillez lire toutes les instructions du manuel avant d'utiliser ce produit.
- ! Veuillez conserver le mode d'emploi pour consultation ultérieure. Le non-respect des avertissements et instructions peut entraîner des blessures graves ou mortelles.
- ! Si la poussette est utilisée par des personnes qui ne la connaissent pas, comme les grands-parents par exemple, montrez-leur comment elle fonctionne et donnez-leur à lire le manuel d'instructions.

Assemblage de la poussette

(Veuillez consulter les figures en page 1-16)

Lisez toutes les instructions du présent manuel avant d'assembler et d'utiliser ce produit.

Ouverture de la poussette

voir les images ① - ④

Détachez le loquet de fermeture de son support ①, puis levez la poignée vers le haut ② & ③ vous entendrez un clac qui signifie que la poussette est complètement ouverte.

! Vérifiez que la poussette est complètement verrouillée avant de poursuivre.

Assemblage et retrait des roues avant

voir les images ⑤ - ⑥

Assemblage et retrait des roues arrière

voir les images ⑦ - ⑨

La poussette complètement assemblée est illustrée ⑩

Fonctionnement de la poussette

Réglage de l'inclinaison du dossier

voir l'image ⑪

Il y a 4 positions d'inclinaison du dossier.

Pour relever le dossier, actionnez la poignée d'inclinaison située à l'arrière du siège et le dossier à l'inclinaison voulue. Pour incliner le dossier, faites l'opération inverse. ⑪

! Veuillez ne pas appuyer sur le bouton de déverrouillage ⑪ - ③ qui est situé au milieu de la poignée d'inclinaison lorsque vous réglez l'inclinaison du dossier.

! L'inclinaison du dossier doit être réglée correctement avant utilisation.

! La charge maximale de la poche de rangement à l'arrière du dossier est de 450g.

Utilisation de la boucle de harnais

voir les images ⑫ - ⑬

Déverrouillage de la boucle

Appuyez sur le bouton pour déverrouiller la boucle et ouvrir le harnais. ⑫

Verrouillage de la boucle

Faites correspondre la boucle de la ceinture abdominale avec la boucle d'épaule ⑬ - 1, et alignez-les avec la boucle centrale, la boucle se verrouillera automatiquement ⑬ - 2. Vous entendrez un « clic » si la boucle est correctement verrouillée. ⑬ - 3

! Attachez toujours votre enfant dans la poussette avec le harnais pour éviter qu'il ne se blesse en tombant ou en glissant du siège.

! Vérifiez que votre enfant est bien attaché. L'espace entre l'enfant et le harnais d'épaules doit faire environ l'épaisseur d'une main.

! Ne croisez pas les sangles du harnais d'épaules. Cela pourrait entraîner une pression au niveau du cou de l'enfant.

Utilisation des harnais d'épaules et ventral

voir les images ⑭ - ⑯

! Pour protéger votre enfant de tomber, vérifiez que les harnais d'épaules et ventral sont à la bonne hauteur et la bonne longueur une fois l'enfant placé dans le siège.

⑭ - 1 Ancrage du harnais d'épaules

⑭ - 2 Dispositif de réglage coulissant

Pour les enfants de grande taille, utilisez le point d'ancrage du harnais d'épaules et les fentes les plus élevées au niveau des épaules. Pour les enfants de petite taille, utilisez le point d'ancrage du harnais d'épaules et les fentes les plus basses au niveau des épaules.

Pour régler la position du point d'ancrage du harnais d'épaules, retournez l'œillet face avant de manière à être au même niveau. Faites-le passer à travers la fente du harnais d'épaules, de l'arrière vers l'avant 17. Enfilez-le à nouveau dans l'emplacement le plus proche de la hauteur des épaules de l'enfant. 18

Utilisez le dispositif d'ajustement coulissant pour modifier la longueur du harnais. 19 - 1

Appuyez sur le bouton 19 - 2, tout en tirant sur le harnais de taille jusqu'à la longueur appropriée. 19 - 3

Installation et retrait de la barre d'appui

voir les images 20 - 22

Réglage du repose-jambes

voir les images 23 - 24

Le repose-jambes est réglable sur 2 positions

Pour abaisser le repose-jambes, appuyez sur les boutons qui sont situés sur les deux côtés 25 - 1, puis abaissez-le. 25 - 2

Pour remonter le repose-jambes, poussez-le vers le haut.

Vous entendrez un « clic » signifiant que le repose-jambes est complètement verrouillé.

Utilisation du système de verrouillage des roues avant

voir l'image 26

Pour bloquer les roues avant ou les déverrouiller il suffit de lever ou de baisser le loquet de verrouillage sur chacune des roues avant comme indiqué sur le croquis, 26.

Conseil Il est recommandé de bloquer les roues avant sur les surfaces irrégulières.

Utilisation de la pédale de frein

voir les images 26 - 27

Pour stopper la poussette, appuyez sur la pédale de frein, le voyant sera rouge. 26

Pour libérer les roues, relevez la pédale de frein avec votre pied, le voyant sera vert. 27

Conseil Mettez toujours le frein lorsque la poussette est à l'arrêt.

Utilisation de la capote

voir les images 28 - 31

La capote se plie et se replie d'une main en la tirant vers l'avant ou l'arrière. 28

Pour mieux protéger votre enfant du soleil, ouvrez la fermeture éclair et déployez complètement la capote en la tirant vers l'avant 29.

La capote est dotée d'une fenêtre, à travers laquelle vous pouvez voir votre bébé. 30

La capote peut être détachée en se reportant au schéma 31

Réglage du guidon

voir l'image 32

La poignée est réglable en hauteur sur 5 positions.

Réglage de la hauteur du siège

voir l'image 33

Le siège est réglable en hauteur sur 3 positions.

Appuyez sur les boutons de réglage situés sur les deux côtés arrière du châssis et tirez vers le haut le siège pour le relever ou abaissez-le pour réduire la hauteur du siège. 33

Changement de l'orientation du siège

voir les images 34 - 41

Le siège peut être positionné face à vous avec une orientation dos à la route.

Faites glisser les boutons situés sur chaque côté du siège tout en le détachant du châssis. Une fois sorti, vous pouvez réinstaller le siège dans le sens inverse. Puis insérez-le dans les fixations.

Les deux supports de siège doivent être positionnés au même niveau. Comme indiqué dans 34. Si vous vous trouvez dans une des situations qui sont montrées dans les schémas 37 & 38, appuyez sur les boutons de réglage de la hauteur et tirez-le vers le haut ou poussez-le vers le bas pour ajuster le support du siège et assurez-vous que les deux supports de siège sont au même niveau. 35

Utilisation de la housse du harnais d'épaules ou de la housse du harnais ventral

voir l'image 42

La housse du harnais d'épaules comme celle du harnais ventral sont facilement détachables.

Pour les remettre il suffit de procéder inversement.

Pliage de la poussette

voir les images 43 - 46

! Veuillez replier la capote avant de plier la poussette.

! Veuillez appuyer sur le bouton situé au milieu du dispositif d'inclinaison du dossier pour plier le siège. 43 - 1

! La poussette pliée peut se tenir debout lorsque la poignée est dans la position la plus haute.

! Ne pas plier le châssis lorsque le verrou de la roue avant est enclenché.

! Le loquet de fermeture se fixera automatiquement sur le support de verrouillage situé sur le châssis, ainsi la poussette pliée sera verrouillée complètement. 47 & 48

Options d'utilisation des sièges

voir les images 49 - 53

La poussette peut être utilisée en mode Double ou en mode Simple. Lorsque vous utilisez la poussette en mode Double avec une deuxième assise (Siège Supplémentaire Versiti), une nacelle Joie ou Joie Signature (ramble, ramble xl et calmi) ou un dispositif de retenue pour bébé Joie ou Joie Signature (coques i-Snug 2, i-Gemm 3, i-Jemini, sprint et i-Level Pro), veuillez lire les instructions suivantes:

! Certains accessoires peuvent ne PAS être inclus sur certains modèles et tous les modes ne sont pas autorisés.

! La poussette est vendue avec une assise et un panier de course. Tout équipement supplémentaire est vendu séparément.

! Lorsque le mode Double est utilisé, vous devez ajuster support supérieur à la position la plus haute ou en position intermédiaire. Veuillez vous reporter au schéma 50 pour connaître les différentes combinaisons lorsque le support supérieur est utilisé en position haute.

! Lorsque le mode Simple est utilisé, vous devez uniquement utiliser le support supérieur. Le support supérieur doit être positionné en position médiane ou basse lorsque la poussette est utilisée seule avec une assise ou une nacelle ou un système de retenue pour bébé. 51 & 52

! NE PAS utiliser le châssis de la poussette avec le siège, le panier à main, la nacelle ou le dispositif de retenue pour bébé comme indiqué sur le schéma. 53

Utilisation des accessoires

Les accessoires peuvent être vendus séparément ou ne pas être disponibles selon la région.

Utilisation du panier à course

voir les images 54 - 56

Pour utiliser un panier, veuillez vous suivre aux instructions suivantes.

! Veuillez déplier les deux supports latéraux avant de fixer le panier portatif. 54

! Ne pas plier la poussette lorsque le panier est fixé sur le châssis.

Utilisation avec un dispositif de retenue pour bébé sur le support supérieur

voir les images 57 - 58

En cas d'utilisation de la poussette avec le dispositif de retenue pour bébé de Joie, veuillez suivre les instructions suivantes.

! Les lettres sur les adaptateurs L (gauche) et R (droit) doivent correspondre à celles situées sur les supports en plastique du cadre. 59

- ! Vous entendrez un « clic » qui indiquera que les adaptateurs sont complètement verrouillés.
- ! Les adaptateurs sont réglables sur 2 positions
- ! Veillez à ce que la tête du bébé soit plus haute que ses pieds lorsque vous utilisez le dispositif de retenue pour enfant.
- ! Enlever le dispositif de retenue pour bébé avant de plier la poussette.
- ! Si vous rencontrez des difficultés concernant l'utilisation du dispositif de retenue pour bébé/enfant, veuillez consulter son manuel d'utilisation.

Utilisation avec une nacelle sur le support supérieur

voir les images -

Lors de l'utilisation d'une nacelle Joie, veuillez suivre les instructions suivantes.

- ! Vous entendrez un « clic » qui indiquera que les adaptateurs sont complètement verrouillés.
- Les adaptateurs sont réglables sur 2 positions. Veillez à ce que la tête du bébé soit plus haute que ses pieds lorsque vous utilisez la nacelle.
- ! Utilisez toujours le matelas avec la nacelle.
 - ! Enlever la nacelle avant de plier la poussette
 - ! Si vous rencontrez des difficultés lors de l'utilisation de la nacelle, veuillez consulter son manuel d'instructions.

Utilisation avec un dispositif de retenue pour bébé ou une nacelle sur le support inférieur

voir les images -

En cas d'utilisation de la poussette avec le dispositif de retenue pour bébé ou une nacelle sur le support inférieur, veuillez suivre les instructions suivantes.

- ! Veuillez tout d'abord déployer vers l'extérieur les deux supports inférieurs.
- ! Appuyer sur les boutons pour déplier ou replier les deux supports inférieurs.
- ! Faire coïncider les lettres L (gauche) et R (droite) situés sur les adaptateurs avec celles des supports en plastique du châssis.
- ! Vous entendrez un « clic » qui indiquera que les adaptateurs sont complètement verrouillés.
- ! Les adaptateurs sont réglables sur 2 positions.
- ! Veillez à ce que la tête du bébé soit plus haute que ses pieds lorsque vous utilisez le dispositif de retenue ou la nacelle.
- ! Utilisez toujours le matelas avec la nacelle.
- ! Ne pliez pas la poussette lorsque vous installez le dispositif de retenue pour bébé ou la nacelle.
- ! Si vous rencontrez des difficultés lors de l'utilisation du dispositif de retenue pour enfant ou de la nacelle, veuillez consulter les manuels d'utilisation.

Utilisation de l'habillage de pluie

voir l'image

Pour installer l'habillage de pluie, placez-le sur siège.

- ! Lorsque vous utilisez l'habillage de pluie, vérifiez toujours sa ventilation.
- ! Lorsque l'habillage de pluie n'est pas utilisé, il faut s'assurer qu'il est propre et sec avant de le ranger.
- ! Ne pliez pas la poussette lorsque l'habillage de pluie est installé.
- ! Ne placez pas votre enfant dans la poussette avec l'habillage de pluie installé par temps chaud.

Nettoyage et maintenance

voir l'image

- ! Pour nettoyer le cadre de la poussette, utilisez uniquement du savon ménager avec de l'eau chaude. Ne pas utiliser d'agent de blanchiment, ni de détergent. Veuillez aux instructions qui figurent sur l'étiquette d'entretien pour le nettoyage des pièces en tissu de la poussette.
- ! Les parties souples amovibles peuvent être lavées à la machine. (programme délicat sans essorage). Ne pas utiliser d'agent de blanchiment comme l'eau de Javel. Faites sécher la housse de siège à plat afin d'éviter des plis sur le tissu et le molleton intérieur.
- ! Vérifiez régulièrement la poussette afin de détecter la présence de vis desserrées, de pièces usées, de matériaux déchirés ou décousus sur la poussette. Remplacez ou réparez les pièces endommagées si nécessaire. Essayez de temps à autre les pièces en plastique avec un chiffon doux humide. Séchez toujours les pièces métalliques pour empêcher la formation de rouille si la poussette est entrée en contact avec de l'eau.
- ! L'exposition excessive au soleil ou à la chaleur peut décolorer les tissus ou déformer les pièces.
- ! Si la poussette est mouillée, ouvrez la capote et laissez-la sécher complètement avant de la ranger.
- ! Si les roues grincent, utilisez une huile légère (ex. lubrifiant siliconé, huile antirouille ou huile pour machine à coudre). Il est important que l'huile pénètre dans les moyeux des roues.
- ! En cas d'utilisation de votre poussette à la plage ou dans d'autres environnements sablonneux/poussiéreux, nettoyez-la complètement après utilisation pour enlever le sable et le sel des mécanismes et des assemblages de roues.

DE Willkommen bei Joie™

Wir begrüßen Sie als ein weiteres Mitglied der Joie-Familie! Wir freuen uns, Ihr kleines Kind auf Reisen zu begleiten. Während Sie mit Joie versiti unterwegs sind, nutzen Sie einen hochwertigen, vollständig zertifizierten Kinderwagen, der nach EU-Sicherheitsstandards EN 1888- 2:2018+A1:2022 zertifiziert ist. Der Kinderwagen eignet sich für Kinder ab der Geburt bis zu einem Gewicht von maximal 15 kg entgegen der Fahrtrichtung und ab der Geburt bis zu einem Gewicht von 22 kg oder einem Alter von 4 Jahren, je nachdem, was zuerst kommt, in Fahrtrichtung. Lesen Sie diese Anleitung sorgfältig durch und beachten Sie die einzelnen Schritte zur Gewährleistung einer komfortablen Fahrt und optimalen Sicherheit für Ihr Kind.

WICHTIG - BITTE SORGFÄLTIG DURCHLESEN UND FÜR ZUKÜNFTIGE VERWENDUNG AUFBEWAHREN.

Besuchen Sie uns unter joiebaby.com, um Anleitungen herunterzuladen und weitere aufregende Joie-Produkte anzuschauen!

Garantieinformationen finden Sie auf unserer Webseite unter joiebaby.com

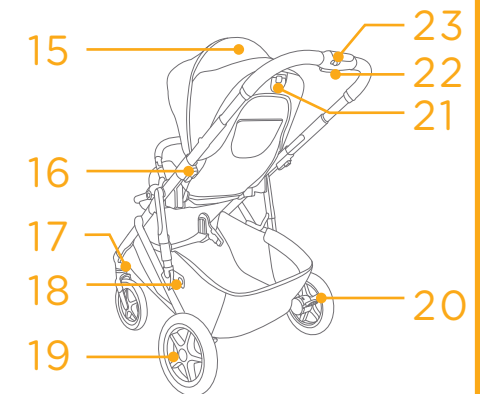
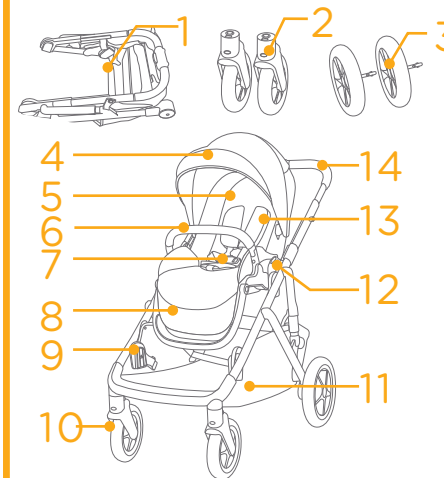
Notfall

Bei einem Notfall oder Unfall muss Ihr Kind unverzüglich erste Hilfe bekommen und medizinisch versorgt werden.

Teileliste

Überprüfen Sie vor der Montage, ob alle Teile vorhanden sind. Falls etwas fehlen sollte, wenden Sie sich an Ihren Händler vor Ort. Für die Montage werden keine Werkzeuge benötigt.

- | | | | |
|----|--------------------|----|-------------------------------------------------------------|
| 1 | Kinderwagengestell | 13 | Schultergurt |
| 2 | Vorderräder | 14 | Griff |
| 3 | Hinterräder | 15 | Verdeckfenster |
| 4 | Verdeck | 16 | Sitzhöhenverstellknöpfe |
| 5 | Sitzpolster | 17 | Lenksperre |
| 6 | Armlehne | 18 | Aufbewahrungsriegel |
| 7 | Verschluss | 19 | Hinterrad |
| 8 | Wadenstütze | 20 | Bremshebel |
| 9 | Untere Halterung | 21 | Neigungsgriff |
| 10 | Vorderrad | 22 | Griffeinstellknopf/Griff zum Zusammenklappen mit einer Hand |
| 11 | Ablagekorb | 23 | Sekundäre Sperre |
| 12 | Sitzfreigabeknopf | | |

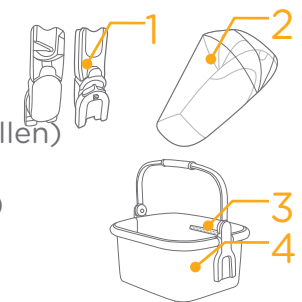


Zubehör

(im Kauf eventuell nicht enthalten)

- | | |
|---|---------------------------------------|
| 1 | Adapter (bei bestimmten Modellen) |
| 2 | Regenschutz (bei bestimmten Modellen) |
| 3 | Griffkorbtasche |
| 4 | Griffkorb (bei bestimmten Modellen) |

Zubehör wird möglicherweise separat verkauft oder ist je nach Region nicht verfügbar.



WARNUNG

- ! Immer das Gurtsystem verwenden.
- ! Stellen Sie vor der Benutzung sicher, dass alle Verriegelungen eingerastet sind.
- ! Das Kind darf nicht mit diesem Produkt spielen.
- ! Prüfen Sie vor der Benutzung, ob Kinderwagen, Sitzeinheit oder Kindersitz richtig angebracht sind.
- ! Das Produkt muss von einem Erwachsenen montiert werden.
- ! Legen Sie immer nur jeweils ein Kind in den Kinderwagen. Der Kinderwagen eignet sich für Kinder ab der Geburt bis zu einem Gewicht von maximal 15 kg entgegen der Fahrtrichtung und ab der Geburt bis zu einem Gewicht von 22 kg oder einem Alter von 4 Jahren, je nachdem, was zuerst kommt, in Fahrtrichtung.
- ! Die Verwendung des Kinderwagens mit einem Kind mit einem Gewicht von mehr als 15 kg entgegen der Fahrtrichtung oder von mehr als 22 kg in Fahrtrichtung verursacht übermäßigen Verschleiß am Kinderwagen und überlastet diesen.
- ! Um eine gefährliche Instabilität zu vermeiden, beladen Sie den Ablagekorb nicht mit mehr als 10 kg.
- ! Lassen Sie das Kind nie unbeaufsichtigt.
- ! Legen Sie niemals Geldbörsen, Einkaufstaschen, Pakete oder Zubehör auf den Griff oder das Verdeck.
- ! Nicht vom Hersteller zugelassenes Zubehör sollte nicht verwendet werden.
- ! Verwenden Sie nur vom Hersteller gelieferte oder empfohlene Ersatzteile.
- ! Um Verletzungen zu vermeiden, stellen Sie sicher, dass sich das Kind nicht in der Nähe befindet, wenn Sie dieses Produkt auf- oder zusammenklappen.
- ! Während der Verwendung dieses Produkts dürfen Sie nicht laufen oder skaten.
- ! Neugeborene sollten liegend transportiert werden; kippen Sie dazu die Rückenlehne in waagrechte Position.

- ! Das Bremssystem muss festgestellt sein, wenn Sie die Kinder hineinsetzen oder herausnehmen.
- ! Bei Autositzen, die in Verbindung mit einem Untergestell verwendet werden, ersetzt dieses Fahrzeug kein ein Gitter- bzw. Babybett. Falls Ihr Kind müde ist, sollten Sie es in einen geeigneten Kinderwagen, ein Gitter- bzw. Babybett legen.
- ! Die Babywanne darf nicht länger verwendet werden, sobald das Kind in der Lage ist, sich selbständig aufzusetzen, sich umzudrehen oder sich auf Händen und Knien abzustützen. Maximalgewicht des Kindes: 9kg.
- ! Ergänzen Sie keine zusätzliche Matratze, sofern nicht vom Hersteller empfohlen.
- ! Jede Last, die am Griff und/oder an der Rückseite der Rückenlehne und/oder an den Seiten des Fahrzeugs befestigt ist, beeinträchtigt die Stabilität des Fahrzeugs.
- ! Die maximale Tragfähigkeit der Aufbewahrungstasche an der Rückenlehne beträgt 0,45 kg.
- ! Die maximale Tragfähigkeit des Griffkorbs beträgt 10 kg.

Kinderwagen montieren

(Bitte beachten Sie die Abbildungen auf Seite 1 bis 16)

Lesen Sie alle Hinweise in dieser Anleitung, bevor Sie dieses Produkt montieren und verwenden.

Kinderwagen aufklappen

siehe Abbildungen 1 - 4

Trennen Sie den Aufbewahrungsriegel von der Aufbewahrungshalterung 1, heben Sie dann den Griff nach oben 2 & 3. Ein Klickgeräusch zeigt an, dass der Kinderwagen vollständig aufgeklappt ist.

! Prüfen Sie vor der weiteren Benutzung, ob der Kinderwagen vollständig verriegelt ist.

Vorderrad montieren und demontieren

siehe Abbildungen 5 - 6

Hinterrad montieren und demontieren

siehe Abbildungen 7 - 9

Den vollständig montierten Kinderwagen sehen Sie in 10

Kinderwagen bedienen

Rückenlehne anpassen

siehe Abbildung 11

Die Rückenlehne hat 4 Neigungswinkel.

Senken Sie die Rückenlehne ab oder heben Sie sie an, indem Sie den Neigungsgriff an der Rückseite des Sitzes drehen und die Rückenlehne nach unten ziehen. 11

! Bitte drücken Sie bei der Anpassung des Neigungswinkels nicht den Freigabeknopf 11 - 3 in der Mitte des Neigungsgriffs.

! Achten Sie darauf, die Neigung zur Verwendung sachgemäß einzustellen.

! Die maximale Tragfähigkeit der Aufbewahrungstasche an der Rückenlehne beträgt 0,45 kg.

Schnalle verwenden

siehe Abbildungen 12 - 13

Schnalle lösen

Drücken Sie den Knopf und die Schnalle löst sich automatisch. 12

Schnalle schließen

Richten Sie die Schnalle des Taillengurts an der Schnalle der Schultergurte aus 13 - 1 und richten Sie diese dann an der mittleren Schnalle aus. Die Schnalle verriegelt sich automatisch 13 - 2. Ein Klickgeräusch bedeutet, dass die Schnalle vollständig eingerastet ist. 13 - 3

! Um schwere Verletzungen aufgrund von Herausfallen oder Herausgleiten zu verhindern, legen Sie Ihrem Kind stets die Sicherheitsgurte an.

! Vergewissern Sie sich, dass Ihr Kind rutschfest gehalten wird. Der Abstand zwischen dem Kind und dem Schultergurt sollte etwa die Dicke einer Hand betragen.

! Legen Sie die Schultergurte nicht gekreuzt an. Andernfalls wird Druck auf den Hals des Kindes erzeugt.

Schulter- und Taillengurte anlegen

siehe Abbildungen 14 - 15

! Nachdem Sie Ihr Kind in den Sitz gesetzt haben, prüfen Sie, ob die Schulter- und Taillengurte in der richtigen Höhe verlaufen und lang genug sind, um Ihr Kind vor dem Herausfallen zu schützen.

14 - 1 Schultergurtverankerung

14 - 2 Schieberegler

Verwenden Sie bei einem größeren Kind die Schultergurtverankerung und die obersten Schulterschlitze. Bei einem kleineren Kind müssen die Schultergurtverankerung und die untersten Schulterschlitze verwendet werden.

Zur Verstellung der Position der Schultergurtverankerung drehen Sie die Verankerung so, dass sie mit der nach vorne weisenden Seite auf einer Ebene liegt. Führen Sie sie von hinten nach vorne durch den Schultergurtschlitz 17. Führen Sie sie erneut durch den Schlitz, welcher der Schulterhöhe des Kindes am nächsten liegt. 18

Ändern Sie die Gurtlänge mit dem Schieberegler. 19 - 1

Drücken Sie die Taste 19 - 2, während Sie den Taillengurt auf eine geeignete Länge ausziehen. 19 - 3

Armlehne montieren und demontieren

siehe Abbildungen 20 - 22

Wadenstütze einstellen

siehe Abbildungen 23 - 24

Es gibt zwei Positionen für die Wadenstütze.

Drücken Sie zum Absenken der Wadenstütze die Einstellknöpfe an beiden Seiten der Wadenstütze 23 - 1 und drehen Sie die Wadenstütze nach unten. 23 - 2

Drücken Sie die Wadenstütze zum Anheben nach oben. Ein Klickgeräusch zeigt an, dass die Wadenstütze eingerastet ist.

Vordere Lenksperre verwenden

siehe Abbildung 25

Vorderrad verriegelt oder entriegelt wie 25.

Tip Die Lenkstopp empfehlen sich auf unebenem Untergrund.

Bremse verwenden

siehe Abbildungen 26 - 27

Zur Arretierung der Räder drücken Sie den Bremshebel mit dem Fuß nach unten. Die Anzeige wird rot. 26

Zur Freigabe der Räder drücken Sie den Bremshebel mit dem Fuß erneut nach unten. Die Anzeige wird grün. 27

Tip Ziehen Sie immer die Parkbremse an, wenn der Kinderwagen nicht geschoben wird.

Verdeck verwenden

siehe Abbildungen 28 - 31

Das Verdeck kann durch Ziehen nach vorne oder hinten geöffnet oder zusammengeklappt werden. 28

Das Verdeck kann für maximalen Schutz Ihres Kindes vor der Sonne vollständig geöffnet werden. Öffnen Sie einfach den Reißverschluss 29, ziehen Sie dann das Verdeck nach vorne.

Das Verdeck besitzt ein Fenster, durch das Sie Ihr Baby sehen können. 30

Das Verdeck kann gelöst werden, wie in 31

Griff einstellen

siehe Abbildung 32

Der Griff hat 5 Positionen.

Sitzhöhe einstellen

siehe Abbildung 33

Der Sitz hat 3 Positionen.

Drücken Sie die Sitzeinstellknöpfe, ziehen Sie den Sitz hoch oder drücken Sie ihn herunter. 33

Sitz ausrichten

siehe Abbildungen 34 - 41

Der Sitz ist umstellbar, sodass sich Mutter und Kind einander zuwenden können.

Verschieben Sie die Sitzfreigabeknöpfe und heben Sie zugleich den Sitz an. Drehen Sie den Sitz um und setzen Sie ihn in die Sitzmontagehalterungen ein.

Beide Sitzmontagehalterungen müssen in einer Ebene liegen, wie in 34 gezeigt; bei einer Situation wie in 37 & 38 drücken Sie die Sitzeinstellknöpfe, ziehen Sie den Sitz hoch oder drücken Sie ihn nach unten, um die Sitzmontagehalterung zu senken, damit beide Sitzmontagehalterungen in einer Ebene liegen. 38

Abdeckungen für Schulter- und Schrittgurt verwenden

siehe Abbildung 42

Die Abdeckung des Schulter- oder Schrittgurtes lässt sich vom Gurtband abnehmen.

Befolgen Sie die Schritte zum Anbringen der Abdeckung des Schulter- oder Schrittgurtes in umgekehrter Reihenfolge.

Kinderwagen zusammenklappen

siehe Abbildungen 43 - 45

- ! Klappen Sie das Verdeck zusammen, bevor Sie den Kinderwagen zusammenklappen.
- ! Der Knopf in der Mitte des Neigungsgriiffs dient dem Zusammenklappen des Sitzes. 43 - 1
- ! Der zusammengeklappte Kinderwagen kann stehen, wenn sich der Griff nicht in der höchsten Position befindet.
- ! Bitte klappen Sie den Rahmen nicht zusammen, wenn die Vorderradlenksperre aktiviert ist.
- ! Der Aufbewahrungsriegel hakt sich automatisch an der Aufbewahrungsbefestigung ein, wenn der Kinderwagen zusammengeklappt und vollständig verriegelt ist. 47 & 48

Sitzoptionen

siehe Abbildungen 50 - 53

Der Kinderwagen kann im Doppel- oder Einzelmodus verwendet werden. Bei Verwendung des Kinderwagengestells mit Sitz, Griffkorb (Versiti Geschwistersitz), Joie-Babywanne (ramble, ramble xl und calmi) oder Joie-Kleinkindrückhaltesystem (i-Sung 2, i-Gemm 3, i-Jemini, sprint und i-Level Pro) beachten Sie bitte die folgenden Anweisungen.

- ! Bei einigen Modellen sind NICHT alle Zubehörteile enthalten bzw. alle Modi erlaubt.
- ! Bei Verwendung des Doppelmodus muss die obere Halterung auf die höchste oder mittlere Position angepasst werden. Bitte beachten Sie 50 für die spezifische Position der oberen Halterung.
- ! Bei Verwendung des Einzelmodus kann der Kinderwagen nur mit der oberen Halterung verwendet werden. Sitz, Babywanne oder Kleinkindrückhaltesystem müssen auf die mittlere oder niedrige Position angepasst werden, der Griffkorb muss auf die niedrigste Position angepasst werden. 51 & 52
- ! Verwenden Sie das Kinderwagengestell NICHT mit Sitz, Griffkorb, Babywanne oder Kleinkindrückhaltesystem, siehe 53

Zubehör verwenden

Zubehör wird möglicherweise separat verkauft oder ist je nach Region nicht verfügbar.

Mit Griffkorb verwenden

siehe Abbildungen 54 - 56

Bitte beachten Sie bei Verwendung mit dem Griffkorb die folgenden Anweisungen.

- ! Bitte öffnen Sie die Halterung an beiden Seiten, bevor Sie den Griffkorb anbringen. 54
- ! Bitte klappen Sie den Kinderwagen nicht zusammen, solange der Griffkorb angebracht ist.

Mit Kinderrückhaltesystem am oberen Griff verwenden

siehe Abbildungen 57 - 59

Bitte beachten Sie bei Verwendung mit dem Kleinkindrückhaltesystem Joie die folgenden Anweisungen.

- ! Die Buchstaben an den Adaptern entsprechen denen am Kunststoffteil des Gestells. 57
- ! Ein Klickgeräusch zeigt an, dass die Adapter vollständig eingerastet sind.
- ! Der Winkel der Kinderrückhaltevorrichtung kann mit unseren verstellbaren Adaptern angepasst werden. 58
- ! Die Adapter haben 3 Positionen. Bitte verwenden Sie das Produkt nicht so, dass der Kopf des Babys bei angebrachter Kinderrückhaltevorrichtung niedriger als seine Füße liegt.
- ! Bitte klappen Sie den Kinderwagen nicht zusammen, wenn das Kinderrückhaltesystem weiterhin angebracht ist.
- ! Falls Probleme bei der Verwendung des Kinderrückhaltesystems auftreten, beachten Sie bitte die zugehörige Bedienungsanleitung.

Mit Joie-Babywanne an oberer Halterung verwenden

siehe Abbildungen 57 - 59

Bei Verwendung mit der Babywanne von Joie beachten Sie bitte die folgenden Anweisungen.

- ! Ein Klickgeräusch zeigt an, dass die Adapter vollständig eingerastet sind.
- ! Bitte verwenden Sie das Produkt nicht so, dass der Kopf des Babys bei angebrachter Babywanne niedriger als seine Füße liegt.
- ! Verwenden Sie die Babywanne niemals ohne Matratze.
- ! Bitte klappen Sie den Kinderwagen nicht zusammen, wenn die Babywanne angebracht ist.
- ! Falls Probleme bei der Verwendung der Babywanne auftreten, beachten Sie bitte die zugehörige Bedienungsanleitung.

Mit Kinderrückhaltesystem und Babywanne an unterer Halterung verwenden

siehe Abbildungen 70 - 72

Bitte beachten Sie bei Verwendung mit dem Kleinkindrückhaltesystem oder der Babywanne von Joie die folgenden Anweisungen.

- ! Ziehen Sie die untere Halterung an beiden Seiten vor der Benutzung heraus. 70
- ! Die untere Halterung kann durch Drücken der Knöpfe an beiden Seiten zusammengeklappt werden. 71
- ! Die Buchstaben an den Stangenadaptern entsprechen denen am Kunststoffteil des Gestells. 72
- ! Ein Klickgeräusch zeigt an, dass die Adapter vollständig eingerastet sind.
- ! Der Winkel der Kinderrückhaltevorrichtung kann mit unseren verstellbaren Adaptern auf 3 Positionen angepasst werden. 58
- ! Verwenden Sie das Produkt nicht, wenn der Kopf des Babys nach der Anbringung niedriger liegt als die Füße.
- ! Verwenden Sie die Babywanne niemals ohne Matratze.
- ! Bitte klappen Sie den Kinderwagen nicht zusammen, wenn das Kinderrückhaltesystem oder die Babywanne angebracht ist.
- ! Wenn Sie Probleme mit der Verwendung des Kinderrückhaltesystems und der Babywanne haben, beachten Sie bitte die zugehörigen Bedienungsanleitungen.

Regenschutz verwenden

siehe Abbildung 75

Bringen Sie den Regenschutz an, indem Sie ihn über dem Sitz platzieren.

- ! Achten Sie bei Verwendung des Regenschutzes stets auf Belüftung.
- ! Wird der Regenschutz nicht mehr verwendet, achten Sie vor dem Zusammenfallen bitte darauf, dass er sauber und trocken ist.
- ! Klappen Sie den Kinderwagen nicht zusammen, nachdem der Regenschutz angebracht wurde.
- ! Setzen Sie Ihr Kind bei heißem Wetter nicht in den Kinderwagen, wenn der Regenschutz angebracht ist.

Reinigung und Wartung

siehe Abbildung 76

- ! Reinigen Sie das Kinderwagengestell nur mit handelsüblicher Seife und warmem Wasser. Nicht bleichen oder mit Reinigungsmitteln behandeln. Bitte beachten Sie zur Reinigung der Textilteile des Kinderwagens die Anweisungen am Pflegeetikett.
- ! Abnehmbare Textilteile können in der Maschine gewaschen werden. Nicht bleichen. Bitte wringen Sie Sitzbezug und Innenpolster nicht kräftig aus. Andernfalls könnten im Sitzbezug und am Innenpolster Falten zurückbleiben.
- ! Untersuchen Sie Ihren Kinderwagen gelegentlich auf lockere Schrauben, abgenutzte Teile, verschlissene Materialien oder aufgerissene Nähte. Ersetzen oder reparieren Sie die Teile bei Bedarf. Wischen Sie die Kunststoffteile regelmäßig mit einem weichen, angefeuchteten Tuch ab. Trocknen Sie die Metallteile bei Kontakt mit Wasser immer ab, damit sich kein Rost bildet.
- ! Bei übermäßiger Sonnenbestrahlung oder Hitze einwirkung können Teile verblassen oder sich verformen.
- ! Ist der Kinderwagen nass geworden, öffnen Sie das Verdeck und lassen Sie ihn komplett trocken werden, bevor Sie ihn verstauen.
- ! Bei quietschenden Rädern tragen Sie ein leichtes Öl auf (z. B. Silikonspray, Rostschutzöl oder Nähmaschinenöl). Dabei ist wichtig, dass das Öl in die Achse und die Räderpartie gelangt. 76
- ! Wenn Sie mit Ihrem Kinderwagen am Strand oder an sandigen/staubigen Orten spazieren, müssen Sie ihn hiernach komplett reinigen, um Sand und Salz aus der Mechanik und den Radverbindungen zu entfernen.

NL Welkom bij Joie™

Gefeliciteerd dat u nu lid bent van de Joie-familie! Het doet ons veel genoegen om deel te kunnen uitmaken van uw reis met uw kleintje. Bij het reizen met de Joie versiti gebruikt u een hoogwaardige, volledig gecertificeerde kinderwagen, goedgekeurd volgens de Europese veiligheidsnormen EN 1888-2:2018+A1:2022. De wandelwagen is bedoeld voor kinderen vanaf hun geboorte tot 15 kg met achteruit kijkende modus en vanaf hun geboorte tot 22 kg of 4 jaar, als dat zich eerder voordoet, met vooruit kijkende modus. Lees deze handleiding zorgvuldig en volg elke stap om voor een comfortabele rit en de beste bescherming van uw kind te zorgen.

BELANGRIJK - ZORGVULDIG LEZEN EN BEWAREN VOOR RAADPLEGING IN DE TOEKOMST.

Bezoek ons op joiebaby.com om handleidingen te downloaden en nog meer interessante producten van Joie te zien.

Bezoek voor informatie over de garantie onze website op joiebaby.com

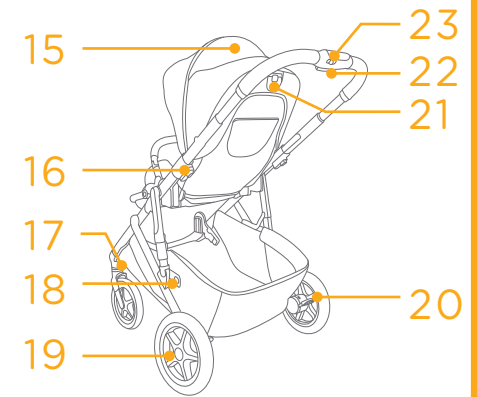
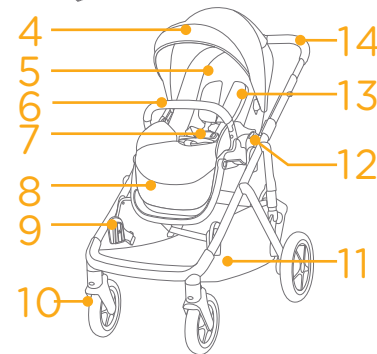
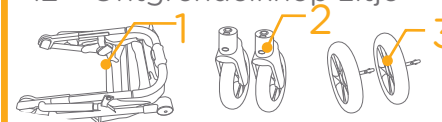
Noodgeval

Bij een noodsituatie of een ongeluk is het heel belangrijk om uw kind direct te laten verzorgen met eerste hulp en medische behandeling.

Onderdelenlijst

Zorg dat alle onderdelen voor het opslaan droog zijn. Als er items ontbreken of beschadigd zijn, kunt u contact opnemen met uw leverancier. Voor de montage is geen gereedschap nodig.

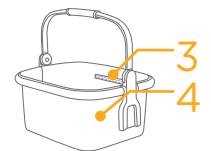
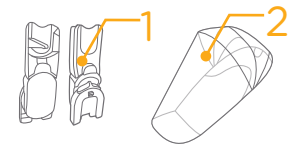
- | | | | |
|----|----------------------|----|------------------------------------------|
| 1 | Wandelwagenframe | 13 | Schouderriem |
| 2 | Voorwielen | 14 | Handgreep |
| 3 | Achterwielen | 15 | Raampje van de kap |
| 4 | Kap | 16 | Instelknoppen stoelhoogte |
| 5 | Zitkussen | 17 | Draaislot |
| 6 | Voorbeugel | 18 | Opberggrendel |
| 7 | Gesp | 19 | Achterwiel |
| 8 | Beensteun | 20 | Remgreep |
| 9 | Onderste montage | 21 | Instelhendel schuinstand |
| 10 | Voorwiel | 22 | Instelknop handgreep/ Eenhands vouwgreep |
| 11 | Opbergmand | 23 | Tweede slot |
| 12 | Ontgrendelknop zitje | | |



Accessoires

(Mogelijk niet meegeleverd)

- | | |
|---|---------------------------------------|
| 1 | Adapter (op bepaalde modellen) |
| 2 | Regenkap (op bepaalde modellen) |
| 3 | Zak draagbare mand |
| 4 | Draagbare mand (op bepaalde modellen) |



Accessoires kunnen al dan niet apart leverbaar zijn, afhankelijk van de regio.

WAARSCHUWING

- ! Gebruik altijd de veiligheidsriemen.
- ! Controleer voor het gebruik of alle sluitingen goed vast zitten.
- ! Laat het kind niet met dit artikel spelen.
- ! Controleer voor het gebruik of de bevestigingsmiddelen van het zitje of autozitje goed zijn vastgezet.
- ! Montage door volwassene vereist.
- ! Gebruik de wandelwagen met slechts één kind tegelijk. De wandelwagen is bedoeld voor kinderen vanaf hun geboorte tot 15 kg met achteruit kijkende modus en vanaf hun geboorte tot 22 kg of 4 jaar, als dat zich eerder voordoet, met vooruit kijkende modus.
- ! Het gebruik van de wandelwagen met een kind van zwaarder dan 15 kg met achteruit kijkende modus of zwaarder dan 22 kg met vooruit kijkende modus zal leiden tot overmatige slijtage en belasting op deze wandelwagen.
- ! Om een gevaarlijke en instabiele conditie te vermijden, moet u niet meer dan 10 kg in de opbergmand plaatsen.
- ! Laat uw kind nooit zonder toezicht achter.
- ! Leg nooit handtassen, boodschappentassen, pakjes of onderdelen van toebehoren op de greep of de kap.
- ! Gebruik geen toebehoren die niet door de fabrikant zijn goedgekeurd.
- ! Gebruik uitsluitend vervangende onderdelen die zijn geleverd of aanbevolen door de fabrikant.
- ! Om letsel te voorkomen, moet u het kind uit de buurt houden tijdens het open- of samenvouwen van dit product.
- ! Dit product is niet geschikt om mee te rennen of rolschaatsen.
- ! Wandelwagen ontworpen voor gebruik vanaf de geboorte, gebruik de meest vlakke stand voor pasgeboren baby's.

- ! Bij het plaatsen en verwijderen van kinderen moet de parkeerrem aangezet zijn.
- ! Voor autostoeltjes die gebruikt worden in combinatie met een chassis, vervangt deze wandelwagen geen draagwieg of bed. Als uw kind moet slapen, moet u het in een geschikte kinderwagen, wieg of bed leggen.
- ! De draagwieg moet niet worden gebruikt wanneer het kind zelf kan zitten, om kan rollen en zichzelf op kan drukken op handen en knieën. Maximumgewicht van het kind: 9 kg.
- ! Er mag geen aanvullende matras worden toegevoegd tenzij dit wordt aanbevolen door de fabrikant.
- ! Elke last bevestigd aan de greep of op de achterkant van de rugsteun of de zijkanten van het voertuig beïnvloeden de stabiliteit van het voertuig.
- ! De maximale belasting van de opbergzak op de achterkant van de rugleuning is 0,45 kg (1lb).
- ! De maximale van de draagbare mand is 10 kg.

Montage wandelwagen

(Raadpleeg de afbeeldingen op pagina 1-16)

Lees alle aanwijzingen in deze handleiding voordat u het product opzet en gebruikt.

Wandelwagen openen

zie afbeeldingen 1 - 4

Maak de opberggrendel los van de opbergbeugel 1, til de hendel vervolgens omhoog 2 & 3, als u een klik hoort, betekent dit dat de wandelwagen volledig geopend is.

! Controleer of de wagen goed vergrendeld is voordat u hem gebruikt.

Voorwiel monteren en demonteren

zie afbeeldingen 5 - 6

Achterwiel monteren en demonteren

zie afbeeldingen 7 - 9

De volledig gemonteerde wandelwagen is afgebeeld als 10

Gebruik wandelwagen

Rugsteun afstellen

zie afbeelding 11

De rugsteun heeft 4 hoeken.

Draai om de rugleuning omhoog of naar achteren te brengen de greep op de achterkant van de zitting en trek de rugleuning omlaag. 11

! Druk niet op de ontgrendelknop 11 - 3 in het midden van de instelhendel schuinstand bij het aanpassen van de hoek voor de schuinstand.

! Controleer of de helling goed is ingesteld.

! De maximale belasting van de opbergzak op de achterkant van de rugleuning is 0,45 kg.

Riem gebruiken

zie afbeeldingen 12 - 13

Maak de gesp los

Druk op de knop en de gesp wordt automatisch vrijgegeven. 12

Riem vastmaken

Verbind de gesp van de middelriem met de schouderriem 13 - 1, en lijn ze uit met de middengesp; de gesp kan automatisch worden vergrendeld 13 - 2. Een klikkend geluid betekent dat de riem vergrendeld is. 13 - 3

! Om ernstig letsel te voorkomen door uit de stoel vallen of glijden, moet u uw kind altijd met de riemen vastzetten.

! Zorg er voor dat uw kind goed vast zit. De ruimte tussen het kind en de schouderriemen moet ongeveer de dikte van een hand zijn.

! De schouderriemen niet kruisen. Dat veroorzaakt druk op de nek van het kind.

Schouder- en middelriemen gebruiken

zie afbeeldingen 14 - 15

! Om te voorkomen dat uw kind uit de stoel valt, moet u controleren of de schouder- en middelriemen op de juiste hoogte en lengte zitten.

14 - 1 Schouderriemanker

14 - 2 Instelling

Gebruik voor een groter kind schouderriemanker en de hoogste schouderleuven. Gebruik voor een kleiner kind schouderriemanker en de laagste schouderleuven.

Om de positie van het schouderriemanker aan te passen, draait u het anker zodat het gelijk ligt met de kant die naar voren kijkt. Geleid deze van achter naar voren door de sleuf voor de schouderriem 17. Steek hem vervolgens door de sleuf die het dichtste bij de schouderhoogte van het kind zit. 15

Gebruik de schuifregelaar om de lengte van de riemen in te stellen. 19 - 1

Druk op de knop 19 - 2, terwijl u de middelriem op de juiste lengte trekt. 19 - 3

Armsteun monteren en demonteren

zie afbeeldingen 20 - 22

Beensteun aanpassen

zie afbeeldingen 23 - 24

De beensteun heeft 2 standen.

Druk op de instelknoppen aan weerszijden van de kuitsteun om de steun omlaag te brengen 23 - 1, en draai de steun omlaag. 23 - 2

Druk de kuitsteun omhoog om hem hoger te plaatsen. Een klikkend geluid betekent dat het kalf volledig vergrendeld is.

Draaien voorwielen blokkeren

zie afbeelding 25

Vergrendelde of ontgrendelde status voorwiel als 25.

Tip Aanbevolen wordt om de draaiblokkering op ongelijke oppervlakken te gebruiken.

Remmen

zie afbeeldingen 26 - 27

Trap de remhendel omlaag om de wielen te blokkeren, en de indicator wordt rood. 26

Trap de remhendel opnieuw omlaag om de wielen vrij te geven, en de indicator wordt groen. 27

Tip Zet de rem altijd vast als de wandelwagen moet stilstaan.

Kap gebruiken

zie afbeeldingen 28 - 31

U kunt de kap openen of opvouwen, trek hem naar voren of naar achteren. 28

De kap kan volledig worden geopend om uw kind zoveel mogelijk tegen de zon te beschermen; rits de rits 29 los en trek de kap naar voren.

De kap bevat een raampje waardoor u uw baby kunt zien. 30

De kap kan worden losgemaakt als getoond in 31

Handgreep instellen

zie afbeelding 32

De handgreep heeft 5 standen.

Hoogte zitje afstellen

zie afbeelding 33

Het zitje heeft 3 standen.

Druk op de knoppen voor hoogtafstelling van het zitje en trek omhoog voor het vergroten, en duw vervolgens omlaag voor het verkleinen van de hoogte van het zitje. 33

Zitje omdraaien

zie afbeeldingen 34 - 41

U kunt het zitje omdraaien, zodat moeder en kind elkaar kunnen aankijken.

Schuif tijdens het optillen van het zitje de ontgrendelknoppen. Draai het zitje in de omgekeerde richting en steek het in de stoelbeugels.

Beide zitsteunen moeten gelijk staan als getoond in 35, als de situaties getoond in 37 & 38 plaatsvinden, drukt u op de knoppen voor hoogtafstelling van het zitje en trek omhoog, of duw omlaag voor het afstellen van de zitsteun om ervoor te zorgen dat beide zitsteunen gelijk staan. 35

Gebruik afdekking schouderriemen en afdekking kruisriemen

zie afbeelding 

De afdekking van de schouderriemen of van de kruisriemen kan worden losgemaakt van de spanriemen.

Ga in omgekeerde volgorde te werk om de afdekking van de schouderriem en de middelriem te monteren.

Wandelwagen invouwen

zie afbeeldingen  - 

! Vouw de kap op voordat u de wandelwagen opvouwt.

! De knop in het midden van de instelhendel schuinstand wordt gebruikt voor het opvouwen van het zitje.  - 

! De opgevouwen wandelwagen kan staan behalve wanneer de handgreep in de hoogste stand staat.

! Vouw het frame niet op wanneer het draaislot van het voorwiel is vergrendeld.

! De opberggrendel haakt automatisch vast aan de opbergbeugel en daarna is de wandelwagen volledig opgevouwen en vergrendeld.  & 

Zitje gebruiken


zie afbeeldingen  - 

De wandelwagen kan worden gebruikt met dubbele modus of enkele modus. Bij het gebruik van het frame van de wandelwagen met zitje (Versiti Duozitje), draagbare mand, Joie-draagwieg (ramble, ramble xl en calmi) of Joie-babyzitje (i-Sung 2, i-Gemm 3, i-Jemini, sprint en i-Level Pro), raadpleegt u de volgende instructies.

! Sommige modellen worden NIET met alle accessoires geleverd en niet alle standen zijn toegestaan.

! Bij het gebruik van de dubbele modus moet de bovenste montage worden afgesteld op de hoogste stand of de middelste stand. Raadpleeg  voor specifieke stand voor de bovenste montage.

! Bij gebruik van de enkele modus, moet alleen worden gebruikt met de bovenste montage. Zitje, draagwieg of babyzitje moeten worden ingesteld op de middelste of laagste stand, en de draagbare mand moet worden ingesteld op alleen de laagste stand.  & 

! Gebruik het frame van de wandelwagen NIET met het zitje, de draagbare mand of het babyzitje weergegeven in 

Accessoires gebruiken

Accessoires kunnen al dan niet apart leverbaar zijn, afhankelijk van de regio.

Gebruik met draagbare mand

zie afbeeldingen  - 

Raadpleeg de volgende instructies bij het gebruik met de draagbare mand.

! Open de montage aan beide zijden voorafgaand aan bevestigen van de draagbare mand. 

! Vouw de wandelwagen niet op als de draagbare mand daarop bevestigd is.

Gebruiken met babyzitje op bovenste montage

zie afbeeldingen  - 

Raadpleeg de volgende instructies bij het gebruik van het Joie-babyzitje .

! De letters op de adapters zijn dezelfde als die op het plastic van het frame. 

! Een klikkend geluid betekent dat de adapter volledig vergrendeld is.

! De hoek van het babyzitje kan worden afgesteld met onze instelbare adapters. 

! De adapter heeft 3 standen. Gebruik het product niet wanneer het hoofd van de baby lager staat dan de voeten na bevestigd babyzitje.

! Vouw de wandelwagen niet op als het babyzitje nog bevestigd is.

! Als u problemen ondervindt bij het gebruik van het babyzitje, raadpleeg dan de betreffende handleidingen.

Gebruiken met Joie-draagwieg op bovenste montage

zie afbeeldingen  - 

Raadpleeg de volgende instructies bij het gebruik met de Joie-draagwieg.

! Een klikkend geluid betekent dat de adapter volledig vergrendeld is.

! Gebruik het product niet wanneer het hoofd van de baby lager staat dan de voeten na bevestigde draagwieg.

! Gebruik altijd de matras bij gebruik van de draagwieg.

! Vouw de wandelwagen niet op tijdens het bevestigen van de draagwieg.

! Als u problemen ondervindt bij het gebruik van de draagwieg, raadpleeg dan de betreffende handleidingen.

Gebruiken met babyzitje en draagwieg op onderste montage

zie afbeeldingen  - 

Raadpleeg de volgende instructies bij het gebruik van het Joie-babyzitje en draagwieg.

! Trek de onderste montage aan beide zijden eruit voorafgaand aan gebruik. 

! De onderste montage kan worden opgevouwen door te drukken op de knoppen aan beide zijden. 

! De letters op de steunadapters zijn dezelfde als die op het plastic van het frame. 

! Een klikkend geluid betekent dat de adapter volledig vergrendeld is.

! De hoek van het babyzitje kan worden afgesteld op 3 standen met onze instelbare adapters. 

! Gebruik het product niet wanneer het hoofd van de baby lager staat dan de voeten na bevestigd babyzitje of draagwieg.

! Gebruik altijd de matras bij gebruik van de draagwieg.

! Vouw de wandelwagen niet op tijdens het bevestigen van het babyzitje of de draagwieg.

! Als u problemen ondervindt bij het gebruik van het babyzitje en de draagwieg, raadpleeg dan de betreffende handleidingen.

Regenkap gebruiken

zie afbeelding 

Plaats de regenkap over het zitje om deze te monteren.

! Controleer altijd op voldoende ventilatie als u de regenkap gebruikt.

! Controleer of de regenkap schoon en droog is voor u ze opvouwt.

! Vouw de wandelwagen niet op als de regenkap gemonteerd is.

! Zet uw kind niet bij warm in de wandelwagen als de regenkap gemonteerd is.

Reiniging en onderhoud

zie afbeelding 

! Gebruik voor het schoonmaken van het frame alleen zeep en warm water. Geen bleekmiddel of schoonmaakmiddelen. Raadpleeg het verzorgingslabel voor instructies betreffende reiniging van de stoffen onderdelen van de wandelwagen.

! Verwijderbare zachte goederen kunnen in de machine worden gewassen. Geen bleekmiddel. De zachte voorwerpen en binnenvoering niet uitwringen om ze te drogen. Daardoor kunnen de stoelbedekking en binnenvoering kreukelen.

! Controleer de wandelwagen van tijd tot tijd op losse schroeven, slijtage, scheuren en beschadigde naden. Vervang of herstel de onderdelen als dat nodig is. Veeg de plastic onderdelen periodiek schoon met een zachte vochtige doek. Droog de metalen onderdelen om de vorming van roest te voorkomen als de wandelwagen in contact is geweest met water.

! Overmatige blootstelling aan zon of warmte kan vervagen of vervormen van onderdelen veroorzaken.

! Als de wandelwagen nat is geworden, moet u de kap openen en hem laten drogen voordat u hem opbergt.

! Als de wielotjes piepen, moet u dunne olie gebruiken (bijvoorbeeld siliconenspray, antiroest-olie of naaimachine-olie). De olie moet in de as en het wielstel komen. 

! Als u de wandelwagen op het strand gebruikt, moet u hem goed schoonmaken na het gebruik om alle zand en zout van het mechanisme en de wielen te verwijderen.

IT Benvenuti in Joie™

Congratulazioni per essere entrato a far parte della famiglia Joie! Siamo lieti di partecipare al tuo viaggio con il bambino. Con Joie versiti siete sicuri di utilizzare un passeggino di alta qualità, totalmente certificato, approvato in base alle normative di sicurezza europee EN 1888-2:2018+A1:2022. Il passeggino è destinato a bambini dalla nascita fino a 15 kg in nel senso contrario alla marcia e dalla nascita fino a 22 kg o 4 anni, qualunque degli eventi si verifichi prima, nel senso di marcia. Leggere attentamente questo manuale e attenersi a ogni procedura per garantire un viaggio comodo e la migliore protezione per il bambino.

IMPORTANTE - LEGGERE ATTENTAMENTE E CONSERVARE PER RIFERIMENTO FUTURO.

Visitate il nostro sito joiebaby.com per scaricare i manuali e conoscere altri eccezionali prodotti Joie!

Per informazioni più dettagliate, si prega di visitare il nostro sito web all'indirizzo joiebaby.com

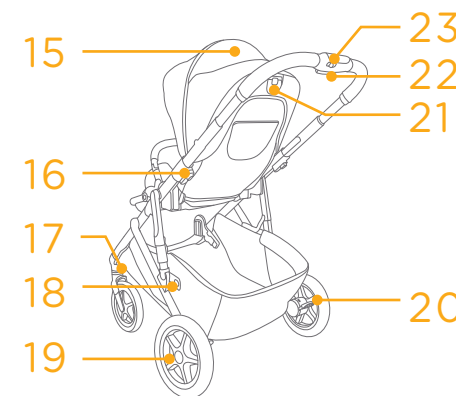
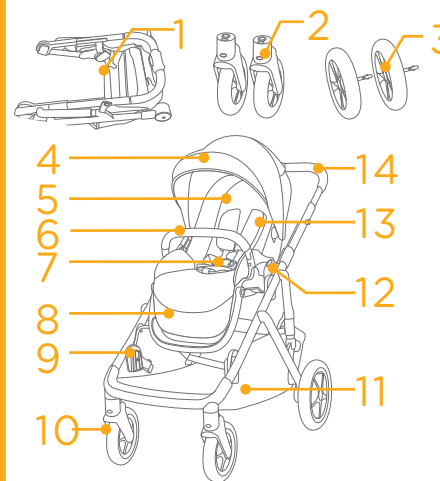
Emergenza

In caso di emergenza o incidenti, è estremamente importante portare il bambino al pronto soccorso per cure mediche immediate.

Elenco delle parti

Assicurarsi che tutti i pezzi siano disponibili prima dell'assemblaggio. Se manca qualche pezzo, contattare il rivenditore locale. Per l'assemblaggio non è necessario nessun attrezzo.

- | | | | |
|----|-----------------------------------|----|--------------------------------------------------------------------------------------------------|
| 1 | Telaio passeggino | 13 | Tracolla |
| 2 | Ruote anteriori | 14 | Maniglione di spinta |
| 3 | Ruote posteriori | 15 | Finestrella della capottina |
| 4 | Capottina | 16 | Pulsante di regolazione altezza seduta |
| 5 | Imbottitura | 17 | Blocco ruote anteriori piroettanti |
| 6 | Maniglione di sicurezza | 18 | Fermo di chiusura |
| 7 | Fibbia | 19 | Ruota posteriore |
| 8 | Pedanina poggiamambe | 20 | Leva del freno |
| 9 | Supporto Inferiore | 21 | Maniglia di reclinazione |
| 10 | Ruota anteriore | 22 | Pulsante di regolazione del maniglione di spinta/ Maniglione di spinta con chiusura con una mano |
| 11 | Cesto portaoggetti | 23 | Bloccaggio secondario |
| 12 | Pulsante di rilascio della seduta | | |



Accessori

(potrebbero non essere inclusi)

- 1 Adattatore (su alcuni modelli)
- 2 Parapioggia (su alcuni modelli)
- 3 Tasca portaoggetti portatile
- 4 Portaoggetti portatile (su alcuni modelli)



Gli accessori potrebbero essere venduti separatamente o non essere disponibili a seconda della regione.

AVVERTENZA

- ! Utilizzare sempre il dispositivo di ritenuta.
- ! Prima dell'uso, assicurarsi che tutti i dispositivi di blocco siano inseriti.
- ! Evitare che i bambini giochino con questo prodotto.
- ! Controllare che la culla, la seduta o i dispositivi di bloccaggio del seggiolino auto siano correttamente inseriti prima dell'uso.
- ! Il prodotto deve essere montato solo da adulti.
- ! Usare il passeggino con un solo bambino per volta. Il passeggino è destinato a bambini dalla nascita fino a 15 kg in modalità contraria al senso di marcia e dalla nascita fino a 22 kg o 4 anni, qualunque degli eventi si verifichi prima, nel senso di marcia.
- ! L'uso del passeggino con bambini di peso superiore a 15 kg in senso contrario alla marcia e superiore a 22 kg nel senso di marcia provocherà un'eccessiva usura e sollecitazione su questo passeggino.
- ! Per evitare una condizione di instabilità pericolosa, non introdurre oltre 10 kg nel cesto portaoggetti.
- ! Non lasciare mai il bambino incustodito.
- ! Non collocare borse, sacchetti, pacchi o elementi accessori sulla maniglia o sulla capottina.
- ! Gli accessori non approvati dal produttore non devono essere usati.
- ! Utilizzare solo le parti di ricambio fornite o consigliate dal produttore.
- ! Per evitare lesioni, assicurarsi che il bambino venga allontanato quando si chiude o si apre il prodotto.
- ! Questo prodotto non è adatto per correre o pattinare.
- ! Per i passeggini concepiti per i neonati, si consiglia di utilizzare la posizione più reclinata.
- ! Il freno di stazionamento deve essere inserito quando si mette o toglie il bambino.

- ! Per i seggiolini auto utilizzati in combinazione con un telaio, questo veicolo non sostituisce una culla o un letto. Se il bambino ha necessità di dormire deve essere messo nella sua culla o nel lettino.
- ! Cessare di usare la navicella non appena il bambino è in grado di stare seduto da solo, rovesciarsi, rialzarsi con le mani e mettersi in ginocchio. Peso massimo del bambino: 9 kg.
- ! Nessun altro materasso deve essere aggiunto a meno che non sia consigliato dal produttore.
- ! Qualsiasi carico sulla maniglia, sul retro dello schienale e/o sui lati del veicolo influisce sulla stabilità del veicolo stesso.
- ! Il carico massimo della tasca portaoggetti sul retro dello schienale è di 0,45 kg.
- ! Il carico massimo portaoggetti portatile è di 10 kg.

Montaggio del passeggino

(Fare riferimento alle figure a pagina 1-16)

Leggere tutte le istruzioni del presente manuale prima di montare e usare il prodotto.

Apertura del passeggino

vedere le figure 1 - 4

Separare il fermo di chiusura dal supporto fermo di chiusura 1, quindi sollevare il maniglione di spinta verso l'alto 2 & 3. Quando si sente un clic, significa che il passeggino completamente aperto.

! Verificare che il passeggino sia completamente bloccato prima di continuare ad utilizzarlo.

Montaggio e rimozione della ruota anteriore

vedere le figure 5 - 6

Montaggio e rimozione della ruota posteriore

vedere le figure 7 - 9

Il passeggino completamente assemblato è mostrato in 10

Funzionamento del passeggino

Regolazione dello schienale

vedere figura 11

Vi sono 4 angoli di reclinazione per lo schienale.

Per sollevare o reclinare lo schienale, ruotare la maniglia di reclinazione sul retro della seduta e tirare verso il basso lo schienale. 11

! Non premere il pulsante di sgancio 11 - 3 al centro della maniglia di reclinazione quando si regola l'angolo di reclinazione.

! Assicurarsi che la reclinazione sia regolata correttamente per l'uso.

! Il carico massimo della tasca portaoggetti sul retro dello schienale è di 0,45 kg.

Uso della fibbia

vedere le figure 12 - 13

Rilascio della fibbia

Premendo il pulsante, la fibbia viene rilasciata automaticamente. 12

Chiusura della fibbia

Far combaciare la fibbia della cintura addominale con quella delle spalle 13 - 1 e allinearle con la fibbia centrale. La fibbia si può bloccare automaticamente 13 - 2. Quando si sente il "clic" significa che la fibbia è bloccata. 13 - 3

! Per evitare gravi lesioni a seguito di caduta o scivolamento, allacciare il bambino con le cinture.

! Assicurarsi che il bambino sia perfettamente allacciato. Lo spazio tra il bambino e la cintura per le spalle deve essere di circa lo spessore di una mano.

! Non incrociare le cinture per le spalle. Ciò provocherà pressione sul collo del bambino.

Uso delle cinture per le spalle e inguinali

vedere le figure 14 - 15

! Per proteggere il bambino dalla caduta, dopo averlo posizionato nella seduta, verificare che le cinture per le spalle e inguinali siano all'altezza e della lunghezza conformi.

14 - 1 Punto di attacco della cintura per le spalle

14 - 2 Dispositivo di regolazione scorrimento

Per i bambini più grandi, utilizzare il punto di attacco della cintura per le spalle e le fessure superiori per le spalle. Per i bambini più piccoli, utilizzare il punto di attacco della cintura per le spalle e le fessure inferiori per le spalle.

Per regolare la posizione del punto di attacco della cintura per le spalle, girare il punto di attacco in modo che sia in piano con il lato rivolto in avanti. Infilarlo nella fessura della cintura per le spalle dalla parte posteriore a quella anteriore 17. Infilarlo di nuovo nella fessura più vicina all'altezza delle spalle del bambino. 18

Utilizzare il dispositivo di regolazione scorrimento per modificare la lunghezza delle cinture. 19 - 1

Premere il pulsante 19 - 2 mentre si tira la cintura inguinale alla lunghezza adeguata. 19 - 3

Montaggio e rimozione del maniglione di sicurezza

vedere le figure 20 - 22

Regolazione della pedanina poggiatesta

vedere le figure 23 - 24

La pedanina poggiatesta ha 2 posizioni.

Per abbassarla la pedanina poggiatesta, premere i pulsanti di regolazione su entrambi i lati della pedanina poggiatesta 23 - 1 e ruotarla verso il basso. 23 - 2

Per sollevare la pedanina poggiatesta, spingerla verso l'alto. Quando si sente il "clic" significa che la pedanina poggiatesta è completamente bloccata.

Uso del blocco ruote anteriori piroettanti

vedere figura 25

Ruota anteriore in stato di blocco o sblocco come mostrato in 25.

Suggerimento Raccomandiamo di utilizzare i blocchi ruote anteriori piroettanti sulle superfici irregolari.

Uso dei freni

vedere le figure 26 - 27

Per bloccare le ruote, portare la leva del freno verso il basso. L'indicatore è rosso. 26

Per rilasciare le ruote, portare di nuovo la leva del freno verso il basso. L'indicatore è verde. 27

Suggerimento Applicare sempre il freno di stazionamento quando il passeggino non è in movimento.

Uso della capottina

vedere le figure 28 - 31

La capottina può essere aperta o chiusa, tirata in avanti o all'indietro. 28

La capottina può essere aperta completamente per proteggere il bambino dal sole. Basta aprire la cerniera 29 e tirare la capottina in avanti.

Sulla capottina è presente una finestrella, attraverso la quale si può osservare il bambino. 30

La capottina può essere completamente aperta. 31

Regolazione del maniglione di spinta

vedere figura 32

Il maniglione di spinta ha 5 posizioni.

Regolazione dell'altezza della seduta

vedere figura 33

La seduta ha 3 posizioni.

Premere i pulsanti di regolazione dell'altezza della seduta e tirare verso l'alto per aumentare o spingere verso il basso per diminuire l'altezza della seduta. 33

Inversione della seduta

vedere le figure 34 - 41

La seduta può essere commutata, il che fa sì che madre e bambino possano trovarsi faccia a faccia.

Far scorrere i pulsanti di rilascio della seduta mentre si solleva la seduta. Girare la seduta in direzione opposta, quindi inserirla negli appositi sostegni.

Entrambi i sostegni della seduta devono essere in piano come mostrato in 35. Se si verificano le situazioni mostrate in 37 & 38, premere i pulsanti di regolazione dell'altezza della seduta e tirare verso l'alto o spingere verso il basso per regolare il sostegno della seduta per assicurarsi che i sostegni della seduta siano in piano. 39

Uso della copertura cintura per le spalle e della copertura dell'imbracatura spartigambe

vedere figura 42

La copertura della cintura per le spalle o la copertura dell'imbracatura spartigambe possono essere rimosse dalle cinghie.

Per montare la copertura cintura per le spalle e la copertura dell'imbracatura spartigambe, adottare la procedura inversa.

Chiusura del passeggino

vedere le figure 43 - 45

! Piegare la capottina prima di chiudere il passeggino.

! Il pulsante al centro della maniglia di inclinazione viene utilizzato per piegare la seduta. 43 - 1

! Il passeggino piegato può rimanere eretto quando la maniglia è nella posizione più alta.

! Non chiudere il telaio quando il blocco ruote anteriori piroettanti è bloccato.

! Il fermo di chiusura si aggancia automaticamente al supporto fermo di chiusura, quindi il passeggino viene piegato e bloccato completamente. 47 & 48

Uso dell'opzione per sedersi

vedere le figure 50 - 53

Il passeggino può essere utilizzato in modalità doppia o singola. Quando si utilizza il telaio del passeggino con seduta (Seggiolino Secondo Bimbo Versiti), portaoggetti portatile, navicella Joie (ramble, ramble xl e calmi) o dispositivo di ritenuta per bambini Joie (i-Sung 2, i-Gemm 3, i-Jemini, sprint e i-Level Pro), fare riferimento alle seguenti istruzioni.

! NON tutti gli accessori sono inclusi in alcuni modelli e non sono consentite tutte le modalità.

! Quando si utilizza la modalità doppia, il sostegno superiore deve essere regolato nella posizione più alta o nella posizione centrale. Fare riferimento alla 50 per la posizione specifica del sostegno superiore.

! Quando si utilizza la modalità singola, utilizzare solo con il sostegno superiore. La seduta, la navicella o il dispositivo di ritenuta per bambini devono essere regolati nella posizione centrale o più bassa; il portaoggetti portatile deve essere regolato solo nella posizione più bassa. 51 & 52

! NON utilizzare il telaio del passeggino con la seduta, la navicella o il dispositivo di ritenuta per bambini mostrato come 53

Uso degli accessori

Gli accessori potrebbero essere venduti separatamente o non essere disponibili a seconda della regione.

Uso del portaoggetti portatile

vedere le figure 54 - 56

Quando si utilizza con portaoggetti portatile, fare sempre riferimento alle seguenti istruzioni.

! Aprire il sostegno su entrambi i lati prima di fissare il portaoggetti portatile. 54

! Non chiudere il passeggino quando è ancora agganciato il portaoggetti portatile.

Uso con dispositivo di ritenuta per bambini su sostegno superiore

vedere le figure 57 - 58

Quando si utilizza con il dispositivo di ritenuta per bambini Joie, consultare le seguenti istruzioni.

! Le lettere sugli adattatori di sono le stesse di quelle sulla plastica del telaio. 57

! Quando si sente il "clac" significa che gli adattatori sono completamente bloccati.

! L'angolo del dispositivo di ritenuta per bambini può essere regolato con gli adattatori regolabili. 58

! Gli adattatori hanno 3 posizioni. Non utilizzare il prodotto quando la testa del bambino è ad un'altezza inferiore rispetto ai piedi dopo aver fissato il dispositivo di ritenuta per bambini.

! Non chiudere il passeggino se il dispositivo di ritenuta per bambini è ancora fissato.

! In caso di problemi con l'uso del dispositivo di ritenuta per bambini, fare riferimento ai relativi manuali di istruzioni.

Uso con navicella Joie su sostegno superiore

vedere le figure 59 - 63

Quando si utilizza con la navicella Joie, consultare le seguenti istruzioni.

! Quando si sente il "clac" significa che gli adattatori sono completamente bloccati.

! Non utilizzare il prodotto quando la testa del bambino è ad un'altezza inferiore rispetto ai piedi dopo aver fissato la navicella.

! Quando si usa la navicella, usare sempre anche il materassino.

! Non chiudere il passeggino quando è fissata la navicella.

! In caso di problemi con l'uso della navicella, fare riferimento ai relativi manuali di istruzioni.

Uso con dispositivo di ritenuta per bambini e navicella su sostegno inferiore

vedere le figure 70 - 72

Quando si utilizza con il dispositivo di ritenuta per bambini Joie e navicella, consultare le seguenti istruzioni.

! Estrarre il sostegno inferiore su entrambi i lati prima dell'uso. 70

! Il sostegno inferiore può essere chiuso premendo i pulsanti su entrambi i lati. 71

! Le lettere sugli adattatori di sostegno sono le stesse di quelle sulla plastica del telaio. 72

! Quando si sente il "clac" significa che gli adattatori sono completamente bloccati.

! L'angolo del dispositivo di ritenuta per bambini può essere regolato di 3 posizioni con gli adattatori regolabili. 65

! Non utilizzare il prodotto quando la testa del' è ad un'altezza inferiore rispetto ai piedi dopo aver fissato il dispositivo di ritenuta per bambini o la navicella.

! Quando si usa la navicella, usare sempre anche il materassino.

! Non piegare il passeggino quando è fissato il sistema di ritenuta per bambini o la navicella.

! In caso di problemi con l'uso del dispositivo di ritenuta per bambini e della navicella, fare riferimento ai relativi manuali di istruzioni.

Uso del parapigioggia

vedere figura 73

Per assemblare il parapigioggia, collocarlo sopra la seduta.

! Quando si usa il parapigioggia, controllare sempre la ventilazione.

! Se non viene utilizzato, controllare che il parapigioggia sia pulito e asciutto prima di chiuderlo.

! Non chiudere il passeggino dopo aver montato il parapigioggia.

! Non far sedere il bambino nel passeggino con il parapigioggia montato quando fa caldo.

Pulizia e manutenzione

vedere figura 74

! Per pulire la struttura del passeggino, utilizzare solo una soluzione di sapone e acqua calda. Non usare candeggina o detergente. Fare riferimento all'etichetta con le istruzioni di lavaggio per pulire il tessuto del passeggino.

! Il rivestimento imbottito rimovibile può essere lavato in lavatrice. Non usare candeggina. Non attorcigliare la fodera e l'imbottitura interna per asciugare con grande forza. Si potrebbero lasciare grinze sulla fodera e l'imbottitura interna.

! Controllare periodicamente la presenza di viti allentate, componenti usurati, materiali strappati o scuciti nel passeggino. Se necessario, sostituire o riparare i componenti. Pulire periodicamente le parti in plastica con un panno umido. Asciugare sempre le parti di metallo per evitare la formazione di ruggine se il passeggino entra in contatto con l'acqua.

! Un'eccessiva esposizione alla luce del sole potrebbe causare lo sbiadimento o la deformazione dei componenti.

! Se il passeggino si bagna, aprire la capottina e lasciarla asciugare completamente prima di riporla.

! Se le ruote cigolano, utilizzare un olio leggero (ad esempio, spray al silicone, olio antiruggine o olio per macchine da cucire). È importante oliare l'assieme asse e ruota. 75

! Quando si utilizza il passeggino in spiaggia o altri ambienti sabbiosi/polverosi, pulirlo completamente dopo l'uso per rimuovere sabbia e sale dai meccanismi e dall'assieme ruota.

ES Bienvenido a Joie™

¡Enhorabuena por unirse a la familia Joie! Estamos encantados de formar parte de su viaje y del de su pequeño. Mientras viaja con el paquete Joie versiti, está utilizando un cochecito de alta calidad, totalmente certificado, aprobado conforme a las normas de seguridad europeas EN 1888-2:2018+A1:2022.

El cochecito está diseñado para niños desde el nacimiento hasta 15 kg con el modo orientado hacia atrás y desde el nacimiento hasta los 22 kg o 4 años, lo que ocurra primero, con el modo orientado hacia adelante. Lea detenidamente este manual y siga cada paso para garantizar que su bebé viaje cómodamente y esté protegido de la mejor manera posible.

IMPORTANTE: LEER DETENIDAMENTE Y CONSERVAR PARA FUTURAS CONSULTAS.

¡Visítenos en joiebaby.com para descargar manuales y conocer otros fantásticos productos de Joie!

Para obtener información sobre la garantía, visite nuestro sitio web en joiebaby.com.

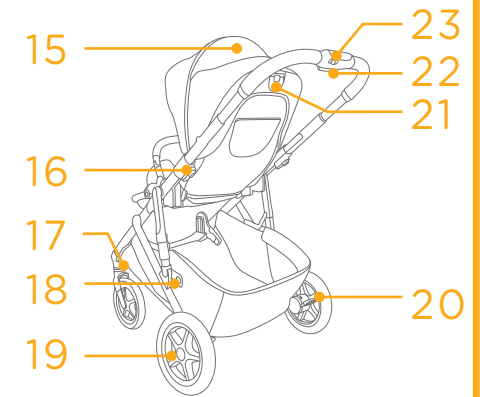
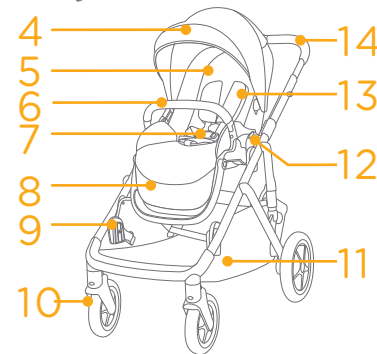
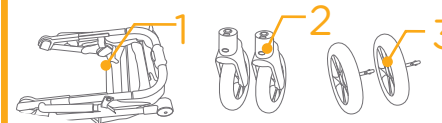
Emergencia

En caso de emergencia o accidente, es muy importante que su bebé reciba primeros auxilios y tratamiento médico de inmediato.

Lista de piezas

Asegúrese de que están disponibles todas las piezas antes de montar el producto. Si falta alguna pieza, póngase en contacto con su proveedor local. No se necesita ninguna herramienta para el montaje.

- | | | | |
|----|---------------------------------|----|--------------------------------------------------------------|
| 1 | Estructura del cochecito | 13 | Arnés de los hombros |
| 2 | Ruedas delanteras | 14 | Asa |
| 3 | Ruedas traseras | 15 | Ventana de la capota |
| 4 | Capota | 16 | Botones de ajuste de la altura del asiento |
| 5 | Acolchado del asiento | 17 | Bloqueo de las ruedas giratorias |
| 6 | Reposabrazos | 18 | Cierre de almacenamiento |
| 7 | Hebilla | 19 | Rueda trasera |
| 8 | Soporte para las pantorrillas | 20 | Palanca del freno |
| 9 | Soporte inferior | 21 | Asa de inclinación |
| 10 | Rueda delantera | 22 | Botón de ajuste del asa/
Asa de pliegue con una sola mano |
| 11 | Cesta de almacenamiento | 23 | Bloqueo secundario |
| 12 | Botón de desbloqueo del asiento | | |

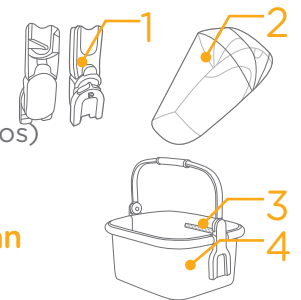


Accesorios

(es posible que no estén incluidos)

- 1 Adaptador (en algunos modelos)
- 2 Capota impermeable (en algunos modelos)
- 3 Bolsillo de la cesta de mano
- 4 Cesta de mano (en algunos modelos)

Es posible que los accesorios se vendan por separado o no estén disponibles, dependiendo de la región.



ADVERTENCIA

- ! Utilice siempre el sistema de sujeción.
- ! Asegúrese de que todos los dispositivos de bloqueo están bloqueados antes de usarlos.
- ! No deje que el niño juegue con este producto.
- ! Asegúrese de que los dispositivos colocados en el capazo, en la unidad del asiento o en asiento del vehículo están bien sujetos antes de utilizar el producto.
- ! El montaje solo podrá ser realizado por personas adultas.
- ! No utilice el cochecito para transportar a más de un niño a la vez. El cochecito está diseñado para niños desde el nacimiento hasta 15 kg con el modo orientado hacia atrás y desde el nacimiento hasta los 22 kg o 4 años, lo que ocurra primero, con el modo orientado hacia adelante.
- ! El uso del cochecito con un niño que pese más de 15 kg con el modo de orientación hacia atrás o con un niño que pese más de 22 kg con el modo de orientación hacia adelante causará un desgaste y una tensión excesivos en este cochecito.
- ! Para evitar riesgos y la inestabilidad del producto, no deberá colocar objetos que sumen en total un peso superior a 10kg en la cesta de almacenamiento.
- ! Nunca deje al bebé desatendido.
- ! Nunca coloque bolsos, bolsas de la compra, paquetes ni ningún otro objeto en el manillar ni en la capota.
- ! No utilice accesorios que no estén aprobados por el fabricante.
- ! Utilice únicamente las piezas de recambio proporcionadas o recomendadas por el fabricante.
- ! Para evitar lesiones, asegúrese de que su hijo está alejado del producto cuando lo pliegue y lo despliegue.
- ! Este producto no es adecuado para correr ni patinar.

- ! En el caso de los recién nacidos, le recomendamos que el asiento diseñado para utilizarse desde el nacimiento lo coloque en la posición lo más reclinada posible.
- ! El dispositivo de estacionamiento deberá estar engranado cuando coloque y retire al niño.
- ! En asientos de vehículo que se utilicen con un chasis, este vehículo no sustituye a una cuna ni una cama. Si su hijo necesita dormir, deberá colocarlo sobre una cuna, una cama o un capazo adecuado.
- ! El capazo no se utilizará en el momento en el que el niño pueda sentarse solo, darse la vuelta y pueda incorporarse sobre las manos y las rodillas. Peso máximo del niño: 9 kg.
- ! No se agregará ningún colchón adicional a menos que lo recomiende el fabricante.
- ! Si cuelga algún objeto del manillar y/o en la parte trasera del respaldo y/o de los laterales del cochecito, la estabilidad del cochecito se verá afectada.
- ! La carga máxima del bolsillo para accesorios A y B es de 0,45 kg (1 lb).
- ! La carga máxima de la cesta de mano es de 10 kg.

Montaje del cochecito

(Consulte las figuras de la página 1-16)

Lea todas las instrucciones incluidas en este manual antes de montar y utilizar este producto.

Apertura del cochecito

Consulte las imágenes 1 - 4

Separe el cierre de almacenamiento del soporte de almacenamiento 1 y, a continuación, levante el manillar hacia arriba 2 y 3. El sonido de un clic le indicará que el cochecito está completamente abierto.

! Asegúrese de que el cochecito está completamente bloqueado antes de continuar utilizándolo.

Montaje y desmontaje de la rueda delantera

Consulte las imágenes 5 - 6

Montaje y desmontaje de la rueda trasera

Consulte las imágenes 7 - 9

El cochecito completamente montado aparece en la imagen 10

Funcionamiento del cochecito

Ajuste del respaldo

Consulte la imagen 11

El respaldo puede colocarse en 4 ángulos de inclinación.

Para elevar o reclinar el respaldo, gire el manillar para reclinar situado en la parte posterior del asiento y empuje el respaldo hacia abajo. 11

! No presione el botón de liberación 11 - 3 situado en el centro de la palanca de inclinación cuando ajuste el ángulo para la inclinación.

! Asegúrese de que ajusta la inclinación de forma adecuada para su uso.

! La carga máxima del bolsillo para accesorios A y B es de 0,45 kg.

Uso de la hebilla

Consulte las imágenes 12 - 13

Desbloquear la hebilla

Presione el botón; la hebilla se soltará automáticamente. 12

Bloquear la hebilla

Haga coincidir la hebilla del cinturón con la hebilla del hombro 13 - 1 y alinéelos con la hebilla central. La hebilla puede bloquearse automáticamente 13 - 2. El sonido de un "clic" le indicará que la hebilla está completamente bloqueada. 13 - 3

! Con el fin de evitar lesiones graves como consecuencia de caídas o resbalones, mantenga al niño sujeto con el arnés en todo momento.

! Asegúrese de que su hijo quede cómodamente sujeto. Cerciórese de que el espacio entre el niño y el arnés de los hombros sea el del grosor de una mano más o menos.

! No cruce los cinturones de los hombros. Si lo hace, podría presionar el cuello del niño.

Uso de los arneses de los hombros y la cintura

Consulte las imágenes 14 - 15

! Con el fin de proteger al niño contra caídas, después de colocarle en el asiento, compruebe si la altura y el largo de los arneses de los hombros y la cintura son los adecuados.

14 - 1 Anclaje del arnés de los hombros

14 - 2 Ajuste deslizante

Para los niños más altos, utilice el anclaje del arnés de los hombros y las ranuras de los hombros más altas. Para los niños más pequeños, utilice el anclaje del arnés de los hombros y las ranuras de los hombros más bajas.

Para ajustar la posición del gancho del arnés de los hombros, gire el gancho para alinearlos con la parte que está orientada hacia adelante. Enhébrele por la ranura del arnés de los hombros de atrás hacia adelante 17. Vuelva a enhebrarlo por la ranura que esté más cerca de la altura de los hombros del niño. 15

Utilice el ajuste deslizante para cambiar la longitud del arnés. 15 - 1

Presione el botón 15 - 2 y tire al mismo tiempo del arnés de la cintura hasta que la longitud sea la adecuada. 15 - 3

Montaje y desmontaje del reposabrazos

Consulte las imágenes 20 - 22

Ajuste del soporte para las pantorrillas

Consulte las imágenes 23 - 24

Se puede colocar el soporte para las pantorrillas en 2 posiciones distintas.

Para bajar el soporte para las pantorrillas, presione los botones de ajuste ubicados a ambos lados de dicho soporte 23 - 1 y gire este hacia abajo. 23 - 2

Para elevar el soporte para las pantorrillas, tire de él hacia arriba. Cuando oiga un "clic" significará que el soporte para las pantorrillas está bloqueado completamente.

Uso del bloqueo de las ruedas giratorias delanteras

Consulte la imagen 25

Estado de la rueda delantera bloqueada o desbloqueada como 25.

Consejo Se recomienda utilizar los bloqueos de las ruedas giratorias sobre las superficies irregulares.

Uso del freno

Consulte las imágenes 26 - 27

Para bloquear las ruedas, mueva la palanca del freno hacia abajo. El indicador se iluminará en rojo. 26

Para liberar las ruedas, mueva la palanca del freno hacia abajo de nuevo. El indicador se iluminará en verde. 27

Consejo Accione siempre el freno de estacionamiento cuando el cochecito no se esté moviendo.

Uso de la capota

Consulte las imágenes 28 - 31

La capota puede abrirse o plegarse tirando de ella hacia delante o hacia atrás. 28

La capota se puede abrir completamente para proteger al niño del sol lo máximo posible. Basta con abrir la cremallera 29 y tirar de la capota hacia delante.

La capota incorpora una ventana a través de la cual puede ver a su bebé. 30

La capota se puede desmontar mostrar se muestra en la imagen 31

Ajuste del manillar

Consulte la imagen 32

El manillar se puede colocar en 5 posiciones distintas.

Ajuste de la altura del asiento

Consulte la imagen 33

El asiento tiene 3 posiciones.

Presione los botones de ajuste de la altura del asiento y tire hacia arriba para aumentar o presione hacia abajo para disminuir la altura del asiento. 33

Cambio del asiento

Consulte las imágenes 34 - 41

El asiento se puede cambiar, lo que permite que la madre y el niño puedan mirarse cara a cara.

Deslice los botones de desbloqueo del asiento al tiempo que levanta el asiento. Gire el asiento de manera que quede en la dirección inversa y, a continuación, insértelo en sus soportes.

Ambos soportes del asiento deben estar nivelados como se muestra en 35. Si se producen las situaciones que se muestran en 37 y 38, presione el botón de ajuste de la altura del asiento y tire hacia arriba o presione hacia abajo para ajustar el soporte del asiento para asegurarse de que ambos soportes del asiento estén nivelados. 36

Uso del protector del arnés para los hombros y del arnés de la pelvis

Consulte la imagen 42

La cubierta del arnés del hombro o del arnés de la pelvis puede extraerse desde la cincha. Para montar la cubierta del arnés del hombro o del arnés de la pelvis, siga los mismos pasos a la inversa.

Plegado del cochecito

Consulte las imágenes 43 - 45

- ! Pliegue la capota antes de plegar el cochecito.
- ! El botón situado en el medio del asa de inclinación se usa para doblar el asiento. 43 - 1
- ! El cochecito plegado se puede sostener excepto si el manillar está en la posición más alta.
- ! No doble la estructura cuando el bloqueo de giro de las ruedas delanteras esté activado.
- ! El cierre de almacenamiento se trabará automáticamente en el soporte de almacenamiento y el cochecito quedará completamente plegado y bloqueado. 47 y 48

Uso de las opciones para sentarse

Consulte las imágenes 50 - 53

El cochecito se puede utilizar en modo Doble o en modo Individual. Cuando utilice la estructura del cochecito con el asiento (Sillita Doble Versiti), la cesta de mano, el capazo Joie (ramble, ramble xl y calmi) o el sistema de sujeción para niños Joie (i-Sung 2, i-Gemm 3, i-Jemini, sprint e i-Level Pro), consulte las siguientes instrucciones.

- ! NO todos los accesorios están incluidos en algunos modelos y no todos los modos están permitidos.
- ! Cuando se utiliza el modo doble, el soporte superior se debe ajustar a la posición más alta o a la posición media. Consulte la 50 para conocer la posición específica del soporte superior.
- ! Cuando se utiliza el modo Individual, solamente se debe utilizar con el soporte superior. El asiento, el capazo o el sistema de sujeción para niños deben ajustarse en las posiciones media o más baja, mientras que la cesta de mano debe ajustarse solamente en la posición más baja. 51 y 52
- ! NO utilice la estructura del cochecito con el asiento, la cesta de mano, el capazo o el sistema de sujeción para niños como se muestra en la imagen 53

Uso de los accesorios

Es posible que los accesorios se vendan por separado o no estén disponibles, dependiendo de la región.

Uso con la cesta de mano

Consulte las imágenes 54 - 56

Cuando lo utilice con la cesta de mano, consulte las siguientes instrucciones.

- ! Abra el soporte por ambos lados antes de colocar la cesta de mano. 54
- ! No pliegue el cochecito cuando la cesta de mano esté todavía acoplada.

Uso con el sistema de sujeción para niños o el soporte superior

Consulte las imágenes 57 - 59

Cuando lo utilice con el dispositivo de sujeción para niños de Joie, consulte las siguientes instrucciones:

- ! Las letras de los adaptadores son las mismas que las del plástico de la estructura. 60
- ! El sonido de un "clic" le indicará que los adaptadores están completamente bloqueados.
- ! El ángulo del dispositivo de sujeción para niños se puede regular con nuestros adaptadores ajustables. 59
- ! Los adaptadores tienen 3 posiciones. No utilice el producto cuando la cabeza del bebé esté más baja que los pies después de acoplar el sistema de sujeción para niños.
- ! No pliegue el cochecito con el dispositivo de sujeción para niños instalado.
- ! Si experimenta algún problema al utilizar el dispositivo de sujeción para niños, consulte sus propios manuales de instrucciones.

Uso con el capazo de Joie en el soporte superior

Consulte las imágenes 57 - 59

Cuando lo utilice con el capazo de Joie, consulte las siguientes instrucciones.

- ! El sonido de un "clic" le indicará que los adaptadores están completamente bloqueados.
- ! No utilice el producto cuando la cabeza del bebé esté más baja que los pies después de acoplar el capazo.
- ! Utilice siempre el colchón cuando utilice el capazo.
- ! No pliegue el cochecito al acoplar el capazo.
- ! Si experimenta algún problema al utilizar el capazo, consulte sus propios manuales de instrucciones.

Uso con el sistema de sujeción para niños y el capazo en el soporte inferior

Consulte las imágenes 70 - 72

Cuando lo utilice con el dispositivo de sujeción para niños y el capazo de Joie, consulte las siguientes instrucciones:

- ! Saque el soporte inferior de ambos lados antes de usarlo. 70
- ! El soporte inferior se puede plegar presionando los botones de ambos lados. 71
- ! Las letras de los adaptadores del poste son las mismas que las del plástico de la estructura. 72
- ! El sonido de un "clic" le indicará que los adaptadores están completamente bloqueados.
- ! El ángulo del dispositivo de sujeción para niños se puede ajustar en 3 posiciones con nuestros adaptadores ajustables. 72
- ! No utilice el producto cuando la cabeza del bebé esté más baja que los pies después de acoplar el sistema de sujeción para niños o el capazo.
- ! Utilice siempre el colchón cuando utilice el capazo.
- ! No pliegue el cochecito al acoplar el dispositivo de sujeción para niños o el capazo.
- ! Si experimenta algún problema al utilizar el dispositivo de sujeción para niños y el capazo, consulte sus propios manuales de instrucciones.

Uso de la capota impermeable

Consulte la imagen 73

Para montar la capota impermeable, colóquela sobre el asiento.

- ! Cuando utilice la cubierta impermeable, deberá asegurarse siempre de que tenga una ventilación adecuada.
- ! Cuando no vaya a utilizar la cubierta impermeable, asegúrese de que esté limpia y seca antes de plegarla.
- ! No pliegue el cochecito después de montar la cubierta impermeable.
- ! No coloque al niño en el cochecito con la cubierta impermeable montada si la temperatura es cálida.

Limpieza y mantenimiento

Consulte la imagen 76

- ! Para limpiar el manillar del cochecito, utilice únicamente jabón para uso doméstico y agua tibia. No utilice lejía ni detergente. Consulte la etiqueta de cuidados para ver las instrucciones acerca de la limpieza de las partes de tela del cochecito.
- ! El acolchado desmontable se puede lavar a máquina. No utilice lejía. No retuerza con demasiada fuerza la cubierta del asiento ni el acolchado interno cuando los seque. Podrían quedar arrugas en la cubierta del asiento y en el acolchado interno.
- ! Examine periódicamente su cochecito por si tuviera tornillos sueltos, piezas desgastadas, materiales dañados o descosidos. Sustituya o repare las piezas que lo requieran. Limpie periódicamente las partes de plástico con un paño suave y húmedo. Seque siempre las partes metálicas para evitar que se oxiden si el cochecito ha estado en contacto con el agua.
- ! Una exposición excesiva al sol o al calor podría decolorar o deformar las piezas.
- ! Si se moja el cochecito, abra la capota y deje que se seque completamente antes de guardarlo.
- ! Si chirrían las ruedas, utilice un aceite suave (por ejemplo: spray de silicona, aceite antioxidante o aceite para máquinas de coser). Es importante que el aceite llegue al ensamblaje de las ruedas y el eje. 76
- ! Cuando utilice su cochecito en la playa o en otros entornos con arena/polvo, límpiolo completamente después de usarlo para eliminar cualquier resto de arena y sal que haya podido quedar en los ensamblajes de las ruedas y los mecanismos.

PT Bem-vindo à Joie™

Parabéns por se tornar membro da família Joie! Estamos muito satisfeitos por participar na sua aventura com o seu bebé. Quando viaja com o Joie versiti, está a utilizar um carrinho de bebé totalmente certificado e de alta qualidade, aprovado pelas normas de segurança europeias EN 1888-2:2018+A1:2022. O carrinho de bebé é indicado para crianças desde o nascimento até atingirem um peso de 15 kg no modo virado para a retaguarda e desde o nascimento até atingirem 22 kg ou 4 anos, o que ocorrer primeiro, no modo virado para a frente. Leia atentamente este manual e execute todos os passos para garantir uma utilização confortável e a melhor proteção para a criança.

IMPORTANTE - LEIA ATENTAMENTE E GUARDE PARA FUTURA REFERÊNCIA.

Visite-nos em joiebaby.com para transferir os manuais e conhecer outros produtos interessantes da Joie!

Para informações sobre a garantia, visite o nosso Web site em joiebaby.com

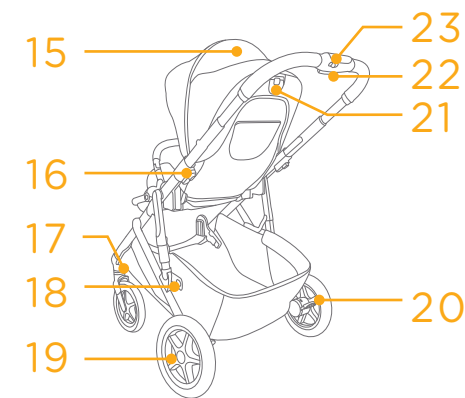
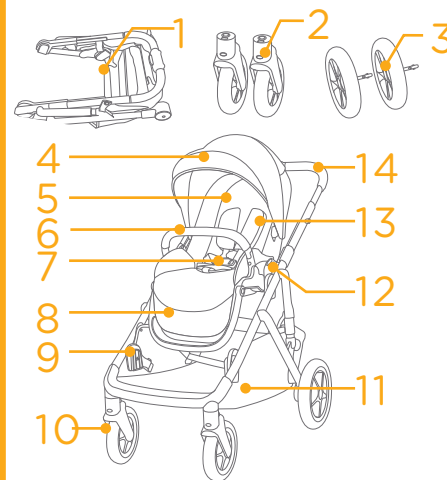
Emergência

Em caso de emergência ou acidente, é importante prestar imediatamente os primeiros socorros e tratamento médico ao seu filho.

Lista de componentes

Certifique-se de que todas as peças estão disponíveis antes da montagem. Se alguma peça estiver em falta, contacte o revendedor local. Não são necessárias ferramentas para a montagem.

- | | | | |
|----|-------------------------------|----|----------------------------------------------------|
| 1 | Estrutura do carrinho de bebé | 12 | Botão de desbloqueio da cadeira |
| 2 | Rodas dianteiras | 13 | Alça |
| 3 | Rodas traseiras | 14 | Pega |
| 4 | Cobertura | 15 | Janela da cobertura |
| 5 | Capa de tecido acolchoado | 16 | Botão de ajuste da altura |
| 6 | Barra de proteção frontal | 17 | Bloqueio giratório |
| 7 | Fivela | 18 | Trinco de armazenamento |
| 8 | Apoio da perna | 19 | Roda traseira |
| 9 | Suporte inferior | 20 | Alavanca do travão |
| 10 | Roda dianteira | 21 | Pega de reclinção |
| 11 | Cesto de armazenamento | 22 | Botão de ajuste da pega/ pega dobrável com uma mão |
| | | 23 | Bloqueio secundário |

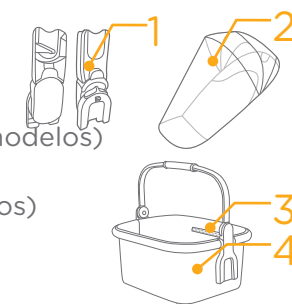


Acessórios

(podem não estar incluídos)

- 1 Adaptador (em determinados modelos)
- 2 Capa impermeável (em determinados modelos)
- 3 Bolso para cesto portátil
- 4 Cesto portátil (em determinados modelos)

Os acessórios podem ser vendidos separadamente ou podem não estar disponíveis dependendo da região.



AVISO

- ! Utilize sempre o sistema de retenção.
- ! Certifique-se de que os dispositivos de bloqueio estão acionados antes de utilizar a alcofa.
- ! Não deixe a criança brincar com este produto.
- ! Verifique se o corpo do carrinho de bebê, a unidade de assento ou os dispositivos de encaixe da cadeira auto estão devidamente encaixados antes de utilizar o produto.
- ! A montagem deverá ser efetuada por adultos.
- ! Utilize o carrinho de bebê com apenas uma criança de cada vez. O carrinho de bebê é indicado para crianças desde o nascimento até atingirem um peso de 15 kg no modo virado para a retaguarda e desde o nascimento até atingirem 22 kg ou 4 anos, o que ocorrer primeiro, no modo virado para a frente.
- ! A utilização do carrinho de bebê com uma criança com peso superior a 15 kg no modo virado para a retaguarda ou com peso superior a 22 kg no modo virado para frente causará desgaste e esforço excessivo do carrinho.
- ! Para evitar condições perigosas e instáveis, não coloque mais de 10kg no cesto de armazenamento.
- ! Nunca deixe a criança sem supervisão.
- ! Nunca coloque bolsas, sacos de compras, embalagens ou acessórios na pega ou cobertura.
- ! Não utilize acessórios que não sejam aprovados pelo fabricante.
- ! Utilize apenas peças fornecidas e recomendadas pelo fabricante.
- ! Para evitar lesões, assegure-se de que mantém a criança afastada ao dobrar e desdobrar este produto.
- ! Este produto não é adequado para correr ou patinar.
- ! No caso de recém-nascidos, recomenda-se que utilize a cadeira na posição mais reclinada possível.
- ! O dispositivo de travagem deve ser acionado ao colocar e remover a criança.

- ! Para as cadeiras auto utilizadas em conjunto com a estrutura do carrinho de bebê, o carrinho não substitui um berço ou cama. Se a criança precisar de dormir, coloque-a na alcofa, berço ou cama apropriados.
- ! A alcofa não deve ser utilizada a partir do momento que a criança conseguir sentar-se sozinha, rolar e levantar-se apoiando-se nas mãos e nos joelhos. Peso máximo da criança: 9 kg.
- ! Não serão fornecidos colchões adicionais, a menos que seja recomendado pelo fabricante.
- ! Qualquer carga colocada sobre a pega e/ou na traseira do apoio das costas e/ou nas laterais do veículo podem afetar a estabilidade do mesmo.
- ! A carga máxima do bolso de armazenamento na parte traseira é de 0,45 kg.
- ! A carga máxima do cesto portátil é de 10 kg.

Montagem do carrinho de bebê

(Consulte as figuras na página 1-16)

Leia atentamente todas as instruções neste manual antes de instalar e utilizar este produto.

Abrir o carrinho

ver imagens 1 - 4

Separe o trinco de armazenamento do suporte de armazenamento 1, e em seguida, levante a pega 2 & 3, o som de um "clique" significa que o carrinho está completamente aberto.

! Verifique se o carrinho está completamente travado antes de continuar a utilizar.

Montagem e remoção da roda dianteira

ver imagens 5 - 6

Montagem e remoção da roda traseira

ver imagens 7 - 9

A ilustração apresenta o carrinho totalmente montado. 10

Operação do carrinho de bebê

Ajuste do apoio das costas

ver imagem 11

O apoio das costas apresenta 4 ângulos de reclinção.

Para elevar ou reclinar o encosto, rode o punho reclinável na parte traseira do assento e puxe o encosto para baixo. 11

! Não pressione o botão de libertação 11 - 3 no meio da pega de reclinção ao ajustar o ângulo de reclinção.

! Certifique-se de que a reclinção está corretamente definida.

! A carga máxima do bolso de armazenamento na parte traseira é de 0,45 kg.

Utilizar a fivela

ver imagens 12 - 15

Soltar a fivela

Pressione o botão e a fivela irá abrir automaticamente. 12

Bloquear a fivela

Encaixe a fivela da correia subabdominal na fivela da correia de ombro 15 - 1 e alinhe-as com a fivela central. A fivela pode bloquear automaticamente 15 - 2. O som de um "clique" significa que a fivela está corretamente encaixada. 15 - 3

! Para evitar lesões graves como consequência de quedas ou deslizamentos, prenda sempre a criança com as alças.

! Certifique-se de que a criança está segura e confortável. O espaço entre a criança e as alças tem a espessura aproximada de uma mão.

! Não cruze as correias dos ombros. Ao fazê-lo, estará a pressionar o pescoço da criança.

Utilizar a alça e cinto subabdominal

ver imagens 14 - 16

! Para proteger o seu filho de cair, depois de colocar o seu filho no assento, verifique se a alça e o cinto subabdominal estão na altura e comprimento adequados.

14 - 1 Fixação da alça

14 - 2 Regulador deslizante

Para crianças maiores, utilize a alça e as ranhuras para ombro mais altas. Para crianças mais pequenas, utilize a alça e as ranhuras para ombro mais baixas.

Para ajustar a posição da alça, rode a âncora para nivelar com o lado virado para a frente. Enfie pela ranhura para alça de trás para a frente 17. Reposicione-o pela ranhura mais próxima da altura do ombro da criança. 16

Utilize o regulador deslizante para alterar o comprimento do arnês. 19 - 1

Pressione o botão 19 - 2 e puxe as alças até à posição apropriada. 19 - 3

Montagem e remoção da barra de proteção

ver imagens 20 - 22

Ajustar o apoio da perna

ver imagens 23 - 24

O apoio da perna tem 2 posições.

Para baixar o apoio da perna, pressione os botões de ajuste em ambos os lados do apoio da perna 23 - 1 e rode o apoio da perna para baixo. 23 - 2

Para elevar o apoio da perna, empurre-o para cima. O som de um "clique" significa que a perna está corretamente encaixada.

Utilizar o bloqueio giratório dianteiro

ver imagem 25

O estado de bloqueio ou desbloqueio das rodas é obtido conforme ilustrado em 25.

Ponta Recomenda-se a utilização dos bloqueios giratórios em superfícies irregulares.

Utilizar o travão

ver imagens 26 - 27

Para bloquear as rodas, pise a alavanca do travão. O indicador apresentará a cor vermelha. 26

Para desbloquear as rodas, pise novamente a alavanca do travão. O indicador apresentará a cor verde. 27

Ponta Acione sempre o travão de estacionamento quando o carrinho não está a mover.

Utilizar a cobertura

ver imagens 28 - 31

A cobertura pode ser aberta ou dobrada, puxe-a para a frente ou para trás. 28

A cobertura pode ser aberta completamente para proteger a sua criança do sol, basta abrir o fecho 28 e depois puxar a cobertura para a frente.

A cobertura possui uma janela, através da qual pode ver a criança. 30

A cobertura pode ser removida como ilustrado em 31

Ajustar a pega

ver imagem 32

A pega possui 5 posições.

Ajustar a altura do assento

ver imagem 33

A cadeira possui 3 posições.

Pressione os botões de ajuste de altura e puxe a cadeira para cima ou pressione para diminuir a altura da cadeira. 33

Trocar a cadeira

ver imagens 34 - 41

É possível mudar a orientação da cadeira, ficando a criança e a mãe voltadas uma para a outra.

Deslize os botões de desbloqueio da cadeira e levante-a. Vire a cadeira para inverter a direção e, em seguida, introduza a cadeira nos suportes da mesma.

Ambos os suportes necessitam de estar nivelados conforme exibido em 34. Se verificar as situações apresentadas em 37 & 38, pressione o botão de ajuste de altura da cadeira e puxe. Em seguida, pressione para diminuir a altura da cadeira e garantir que ambos os suportes estão nivelados. 38

Utilizar a capa das alças e a capa da correia entrepernas

ver imagem 12

A capa das alças ou a capa da correia entrepernas podem ser removidas da tira.

Para colocar a capa das alças e a capa da correia entrepernas inverta a sequência de passos.

Dobrar o carrinho de bebé

ver imagens 13 - 15

! Dobre a cobertura antes de dobrar o carrinho de bebé.

! O botão no meio da alça de reclinção é utilizado para dobrar o assento. 13 - 1

! O carrinho de bebé dobrado pode ficar em pé, exceto quando a pega está na posição mais alta.

! Não dobre a estrutura do carrinho quando o bloqueio giratório da roda dianteira estiver bloqueado.

! O trinco de armazenamento irá fixar-se automaticamente no suporte de montagem, e, em seguida, o carrinho de bebé é dobrado e bloqueado completamente. 17 e 15

Utilização das opções de utilização

ver imagens 50 - 53

O carrinho de bebé pode ser utilizado em modo duplo ou em modo individual. Quando utilizar a estrutura do carrinho de bebé com cadeira (Assento Adicional Versiti), cesto portátil, alcofa Joie (ramble, ramble xl e calmi) ou sistema de retenção para crianças Joie (i-Sung 2, i-Gemm 3, i-Jemini, sprint e i-Level Pro), consulte as instruções seguintes.

! Alguns modelos, NÃO incluem todos os acessórios e não permitem todos os modos.

! Quando utilizar o modo duplo, deve ajustar o suporte superior para a posição mais elevada ou para a posição central. Consulte a posição específica do suporte superior na 50

! Quando utilizar o modo individual, utilize apenas o suporte superior. A cadeira, a alcofa ou o sistema de retenção para crianças devem ser ajustados para a posição intermédia ou inferior; o cesto portátil deve ser ajustado apenas para a posição inferior. 51 e 52

! NÃO utilize a estrutura do carrinho de bebé com a cadeira, o cesto portátil, a alcofa ou o sistema de retenção para crianças como ilustrado em 53

Utilizar acessórios

Os acessórios podem ser vendidos separadamente ou podem não estar disponíveis dependendo da região.

Utilizar com o cesto portátil

ver imagens 54 - 56

Quando utilizar o cesto portátil, consulte as instruções apresentadas em seguida.

! Abra o suporte de ambos os lados antes de encaixar o cesto portátil. 54

! Não dobre o carrinho de bebé com o cesto portátil ainda encaixado.

Utilizar com o dispositivo de retenção para crianças no suporte superior

ver imagens 61 - 63

Quando utilizar com o dispositivo de retenção para crianças Joie, consulte as instruções seguintes.

! As letras nos adaptadores são iguais às da estrutura de plástico. 61

! O som de um "clique" significa que os adaptadores estão corretamente encaixados.

! O ângulo do dispositivo de retenção para crianças pode ser ajustado com os nossos adaptadores ajustáveis. 62

! Os adaptadores têm 3 posições. Não utilize o produto se a cabeça da criança estiver numa posição inferior à dos pés depois de colocar o dispositivo de retenção para crianças.

! Não dobre o carrinho de bebé com o sistema de retenção para crianças ainda encaixado.

! Se tiver algum problema ao utilizar o sistema de retenção para crianças, consulte os manuais de instruções deles.

Utilizar com a alcofa Joie no suporte superior

ver imagens 57 - 59

Quando utilizar a alcofa Joie, consulte as seguintes instruções.

! O som de um "clique" significa que os adaptadores estão corretamente encaixados.

! Não utilize o produto se a cabeça da criança estiver numa posição inferior à dos pés depois de colocar a alcofa.

! Utilize o colchão sempre que utiliza a alcofa.

! Não dobre o carrinho de bebé ao encaixar a alcofa.

! Se tiver algum problema ao utilizar a alcofa, consulte os manuais de instruções da mesma.

Utilizar com o dispositivo de retenção para crianças e alcofa no suporte inferior

ver imagens 70 - 74

Quando utilizar com o dispositivo de retenção para crianças e a alcofa Joie, consulte as instruções seguintes.

! Antes de utilizar, puxe o suporte inferior de ambos os lados para fora. 70

! O suporte inferior pode ser dobrado pressionando os botões em ambos os lados. 71

! As letras nos adaptadores para cadeira são iguais às da estrutura de plástico. 72

! O som de um "clique" significa que os adaptadores estão corretamente encaixados.

! A inclinação do dispositivo de retenção para crianças pode ser ajustada com os nossos adaptadores ajustáveis. 73

! Não utilize o produto quando a cabeça do bebé estiver mais baixa do que os pés depois de colocar o dispositivo de retenção para crianças ou a alcofa.

! Utilize o colchão sempre que utiliza a alcofa.

! Não dobre o carrinho de bebé enquanto estiver encaixado o dispositivo de retenção para crianças ou a alcofa.

! Se encontrar algum problema ao utilizar o dispositivo de retenção para crianças e a alcofa, consulte os respetivos manuais de instruções.

Utilizar capa impermeável

ver imagem 75

Para instalar a capa impermeável, coloque-a sobre a cadeira.

! Ao utilizar a capa impermeável, verifique sempre a sua ventilação.

! Quando não estiver em utilização, verifique se a capa impermeável foi limpa e seca antes de a dobrar.

! Não dobre o carrinho de bebé depois de instalar a capa impermeável.

! Não coloque a criança no carrinho de bebé com a capa impermeável instalada durante o tempo quente.

Limpeza e manutenção

ver imagem 76

! Para limpar a estrutura do carrinho de bebé, utilize apenas sabão e água quente. Não utilizar lixívia ou detergente. Consulte as instruções de limpeza na etiqueta das peças de tecido do carrinho de bebé.

! Capas de tecido removíveis podem ser lavadas à máquina. Sem lixívia. Não torça as capas de tecido acolchoado e o revestimento interno para os secar rapidamente. Poderá originar vincos na capa e no acolchoado interior.

! Verifique periodicamente se o carrinho de bebé tem parafusos desapertados, peças desgastadas, materiais ou costuras rasgados. Substitua ou repare as peças, conforme necessário. Limpe periodicamente as peças de plástico limpas com um pano macio e húmido. Seque sempre as partes metálicas para evitar a formação de ferrugem se o carrinho entrar em contacto com a água.

! A exposição excessiva ao sol ou calor poderá causar o desvanecimento das cores ou a deformação das peças.

! Se o carrinho ficar molhado, abra a cobertura e deixe secar completamente antes de guardar.

! Se as rodas rangem, utilize um óleo leve (por exemplo, spray de silicone, óleo antiferrugem ou óleo de máquina de costura). É importante colocar o óleo no conjunto do eixo e da roda. 76

! Se utilizar o carrinho de bebé na praia ou em ambientes poeirentos/areia, limpe totalmente o carrinho de bebé após a sua utilização para remover a areia e o sal dos mecanismos e dos componentes das rodas.

Gratulujemy zostania członkiem rodziny Joie! Bardzo się cieszymy z możliwości wspólnego podróżowania z Państwem dzieckiem. Podczas podróży z Joie versiti, używasz wysokiej jakości, wyposażonego w komplet certyfikatów wózka dziecięcego, zgodnego z Europejskimi standardami bezpieczeństwa EN 1888-2:2018+A1:2022. Wózek dziecięcy jest przeznaczony dla dzieci w wieku od urodzenia do 15 kg w trybie skierowania do tyłu i od rodzenia do 22 kg lub do 4 lat (w zależności od tego co nastąpi wcześniej) w trybie skierowania do przodu. Prosimy o uważne przeczytanie tego podręcznika i wykonanie każdej czynności, aby zapewnić wygodną jazdę i najlepsze zabezpieczenie dziecka.

WAŻNE - DOKŁADNIE PRZECZYTAJ I ZACHOWAJ DO PRZYSZŁEGO WYKORZYSTANIA.

Odwiedź nas pod adresem joiebaby.com w celu pobrania podręczników i sprawdzenia, innych ekscytujących produktów Joie!

W celu uzyskania informacji o gwarancji, należy odwiedzić naszą stronę internetową, pod adresem joiebaby.com

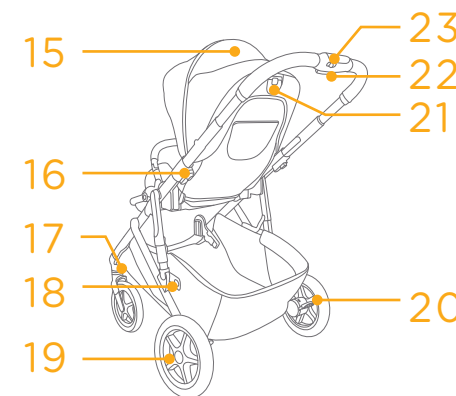
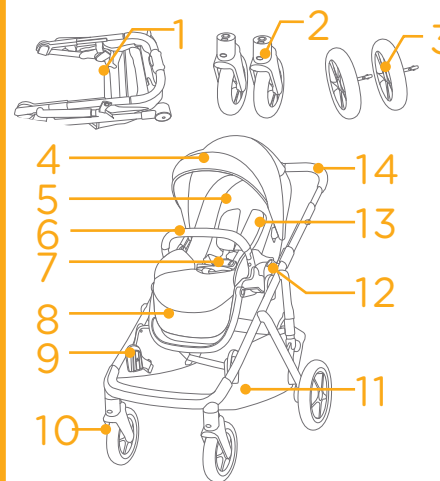
Sytuacja zagrożenia

W sytuacji zagrożenia lub po wypadku, najważniejsze jest, aby udzielić dziecku pierwszej pomocy i jak najszybciej poddać je leczeniu medycznemu.

Wykaz części

Upewnij się, że posiadasz wszystkie części zanim rozpoczniesz proces montażu. Jeśli któreś z części brakuje, należy się skontaktować z lokalnym sprzedawcą. Montaż nie wymaga użycia żadnych dodatkowych narzędzi.

- | | | | |
|----|------------------------------|----|--------------------------------------------------------|
| 1 | Rama wózka | 13 | Uprząż na ramiona |
| 2 | Koła przednie | 14 | Uchwyt |
| 3 | Koła tylne | 15 | Okno daszka |
| 4 | Ostona | 16 | Przyciski regulacji wysokości siedzenia |
| 5 | Poduszka krzesetka | 17 | Blokada obrotu |
| 6 | Poprzeczka | 18 | Zapadka przechowywania |
| 7 | Sprzączka | 19 | Koło tylne |
| 8 | Podparcie tydek | 20 | Dźwignia hamulca |
| 9 | Dolne mocowanie | 21 | Dźwignia regulacji nachylenia |
| 10 | Koło przednie | 22 | Przycisk regulacji uchwytu/uchwyt składania jedną ręką |
| 11 | Koszyk transportowy | 23 | Dругa blokada |
| 12 | Przycisk zwolnienia fotelika | | |



Aksesoria

(Mogą nie być dostarczone)

- | | | |
|---|-------------------------------------------------|--|
| 1 | Adapter (w niektórych modelach) | |
| 2 | Ostona przeciwdeszczowa (w niektórych modelach) | |
| 3 | Kieszon na kosz przenośny | |
| 4 | Kosz przenośny (w niektórych modelach) | |

Aksesoria mogą być sprzedawane oddzielnie lub w zależności od regionu, mogą nie być dostępne.

OSTRZEŻENIE

- ! Należy zawsze używać system fotelika samochodowego.
- ! Przed rozpoczęciem używania produktu, należy się upewnić, że są zamknięte wszystkie blokady.
- ! Nie należy pozwalać dziecku na zabawę z tym produktem.
- ! Przed użyciem upewnić się, czy urządzenia mocujące korpus wózka, część z siedzeniem lub fotelik samochodowy są prawidłowo zamocowane.
- ! Wymagany jest montaż przez osobę dorosłą.
- ! W wózku dziecięcym może znajdować się jednocześnie tylko jedno dziecko. Wózek dziecięcy jest przeznaczony dla dzieci w wieku od urodzenia do 15 kg w trybie skierowania do tyłu i od urodzenia do 22 kg lub do 4 lat (w zależności od tego co nastąpi wcześniej) w trybie skierowania do przodu.
- ! Używanie wózka dziecięcego dla dziecka o wadze powyżej 15 kg w trybie skierowania do tyłu i powyżej 22 kg w trybie skierowania do przodu, spowoduje nadmierne zużycie tego wózka dziecięcego.
- ! Aby zapobiec niebezpiecznym sytuacjom, niestabilności, w koszu nie należy umieszczać więcej niż 10 kg bagażu.
- ! Nigdy nie należy zostawiać dziecka bez nadzoru.
- ! Nigdy nie należy zawieszać torebek, toreb na zakupy, paczek lub akcesoriów na uchwycie lub na daszku.
- ! Nie należy używać akcesoriów niezatwierdzonych przez producenta.
- ! Używać należy wyłącznie części zamiennych dostarczonych lub zalecanych przez producenta.
- ! Aby uniknąć obrażeń podczas składania i rozkładania tego produktu należy się upewnić, że dziecko znajduje się dalej.
- ! Ten produkt nie jest odpowiedni do biegania lub jazdy na wrotkach.
- ! Wózek dziecięcy przeznaczony dla dzieci od urodzenia, dla noworodków powinien być używany w najbardziej nachylonej pozycji.
- ! Podczas wkładania i wyjmowania dzieci należy uruchomić urządzenie parkingowe.
- ! Foteliki samochodowe używane w połączeniu z podstawą nie zastępują łóżeczka dziecięcego ani łóżka. Gdy dziecko chce spać, należy je umieścić w odpowiednim wózku dziecięcym, łóżeczku dziecięcym lub na łóżku.
- ! Daszka nie należy używać, gdy dziecko będzie już mogło samo siadać, przekręcać się z boku na bok i ustawiać, opierając się na rękach i na kolanach. Maksymalna masa dziecka: 9 kg.
- ! Nie są wymagane żadne dodatkowe materace o ile nie zaleci ich producent.
- ! Każdy ładunek przymocowany do uchwytu i/lub z tyłu oparcia pleców i/lub na bokach wózka będzie wpływać na stabilność wózka.
- ! Maksymalny udźwig kieszeni transportowej na oparciu pleców wynosi 0,45 kg (1funt).
- ! Maksymalne obciążenie kosza przenośnego wynosi 10 kg.

Montaż wózka dziecięcego

(Patrz ilustracje na stronach 1-16)

Przed montażem i rozpoczęciem używania tego produktu, należy przeczytać wszystkie instrukcje z tego podręcznika.

Otwórz wózek

Patrz ilustracje 1 - 4

Oddziel zatrzask kosza od elementu montażowego kosza 1, następnie unieś uchwyt do góry 2 i 3, dźwięk "kliknięcia" oznacza, że wózek dziecięcy jest całkowicie otwarty.

! Przed kontynuowaniem używania należy sprawdzić, czy wózek dziecięcy jest całkowicie zatrzasknięty.

Montaż i demontaż kół przednich

Patrz ilustracje 5 - 6

Montaż i demontaż kół tylnych

Patrz ilustracje 7 - 9

Całkowicie zmontowany wózek jest pokazany na ilustracji 10

Działanie wózka dziecięcego

Regulacja oparcia

patrz ilustracja 11

Dostępnych jest 4 kątów nachylenia oparcia pleców.

Aby podnieść lub nachylić oparcie pleców, obrócić uchwyt nachylania z tyłu siedzenia, nacisnąć w dół oparcie pleców. 11

! Nie należy naciskać przycisku zwalniania 11 - 3 na środku uchwyty nachylania podczas regulacji kąta nachylenia.

! Upewnij się, że nachylenie jest ustawione prawidłowo do używania.

! Maksymalny udźwieg kieszeni transportowej na oparciu pleców wynosi 0,45 kg.

Korzystanie ze sprzączki

Patrz ilustracje 12 - 13

Zwolnienie sprzączki

Naciśnij przycisk, po czym nastąpi automatyczne zwolnienie sprzączki. 12

Sprzączka blokady

Dopasuj sprzączkę pasa biodrowego do sprzączki pasa na ramiona 13 - 1 i dopasuj je do sprzączki centralnej, po czym sprzączka zatrzasknie się automatycznie 13 - 2. "Kliknięcie" oznacza, że sprzączka została całkowicie zatrzasknięta. 13 - 3

! Aby uniknąć poważnych obrażeń w wyniku upadku lub zsunienia, należy zawsze zabezpieczyć dziecko uprzężą.

! Należy się upewnić, że dziecko jest dobrze zabezpieczone. Odległość pomiędzy dzieckiem a uprzężą na ramiona powinna wynosić około grubości jednej dłoni.

! Nie należy krzyżować pasów na ramiona. Może to spowodować nacisk na kark dziecka.

Używanie uprzęży na ramiona i biodra

Patrz ilustracje 14 - 15

! Aby zabezpieczyć dziecko przed upadkiem, po umieszczeniu dziecka na siedzeniu, należy sprawdzić, czy uprząż na ramiona i na talię jest założona na właściwej wysokości i, czy ma odpowiednią długość.

14 - 1 Kotwa uprzęży na ramiona

14 - 2 Regulator przesuwu

Dla większego dziecka, należy użyć kotwę uprzęży i najwyższe szczeliny uprzęży na ramiona. W przypadku mniejszego dziecka należy użyć kotwę uprzęży i najniższe szczeliny uprzęży na ramiona.

Aby wyregulować pozycję kotwy uprzęży na ramiona, obróć kotwę w celu wypoziomowania ze stroną skierowaną do przodu. Przetóż ją przez szczelinę uprzęży na ramiona, od tyłu do przodu 17. Przetóż ponownie przez szczelinę najbliższą wysokości ramion dziecka. 15

Użyj regulatora przesuwu do zmiany długości uprzęży. 15 - 1

Naciśnij przycisk 15 - 2, wyciągając jednocześnie uprząż na pas na prawidłową długość. 15 - 3

Montaż i demontaż poprzeczki

Patrz ilustracje 16 - 18

Regulacja oparcia łydek

Patrz ilustracje 19 - 21

Oparcie łydek ma 2 pozycje.

W celu obniżenia podparcia łydek, naciśnij przyciski regulacji z obu stron podparcia łydek 19 - 1 i obróć podparcie łydek w dół. 20 - 2

Aby unieść oparcie łydek, naciśnij je do góry. Dźwięk "kliknięcia" oznacza, że oparcie łydek jest całkowicie zablokowane.

Korzystanie z blokady obrotu

patrz ilustracja 22

Przednie koło zablokowane lub odblokowane, jak 22.

Wskazówka Korzystanie z blokady obrotu zalecane jest na nierównych powierzchniach.

Korzystanie z hamulca

Patrz ilustracje 23 - 27

Aby zablokować koła, przesunąć dźwignię hamulca w dół, wskaźnik zaświeci się czerwonym światłem. 23

Aby zwolnić koła, ponownie przesunąć dźwignię hamulca w dół, wskaźnik zaświeci się zielonym światłem. 27

Wskazówka Zawsze, kiedy wózek stoi hamulec powinien być zablokowany.

Używanie daszka

Patrz ilustracje 28 - 31

Daszek można otwierać lub składać, pociągnij go do przodu lub do tyłu. 28

Daszek można otworzyć całkowicie, aby zabezpieczyć dziecko przed nadmiernym słońcem, wystarczy otworzyć zamek suwakiem 29, a następnie pociągnąć daszek do przodu.

Na daszku znajduje się okno, przez które można widzieć dziecko. 30

Daszek można odczepić, jak pokazano na ilustracji 31

Regulacja uchwyty

patrz ilustracja 32

Uchwyt ma 5 pozycji.

Regulacja wysokości siedzenia

patrz ilustracja 33

Siedzenie ma 3 pozycje.

Naciśnij przyciski regulacji siedzenia i pociągnij je w górę w celu zwiększenia lub naciśnij w dół w celu zmniejszenia wysokości siedzenia. 33

Zmiana kierunku ustawienia siedzenia

Patrz ilustracje 34 - 41

Siedzenie można przekręcić, co umożliwi widzenie przez matkę twarzy dziecka.

Przesunąć przyciski zwalniania siedzenia, podnosząc siedzenie. Przekręć siedzenie w odwrotnym kierunku, a następnie włóż siedzenie do elementów montażowych siedzenia.

Obydwa elementy montażowe siedzenia, powinny się znajdować na poziomie pokazanym, jako 34, jeśli wystąpi sytuacja pokazana, jako 37 i 38, należy nacisnąć przycisk regulacji wysokości siedzenia i pociągnąć je w górę, a następnie nacisnąć w dół w celu zmniejszenia wysokości siedzenia, aby się upewnić, że są wypoziomowane obydwie elementy montażowe siedzenia. 35

Używanie osłony upręży na ramiona i osłony upręży na krocze

patrz ilustracja 42

Osłonę upręży na ramiona lub osłonę upręży na krocze można zdjąć z upręży.

Aby zamontować osłonę upręży na ramiona i osłonę upręży na krocze należy wykonać podane czynności w kolejności odwrotnej.

Składanie wózka

Patrz ilustracje 43 - 45

- ! Przed złożeniem wózka dziecięcego należy złożyć daszek.
- ! Przycisk na środku uchwyty nachylania służy do składania siedzenia. 43 - 1
- ! Składany wózek może stać, oprócz sytuacji, gdy uchwyt znajduje się w najwyższej pozycji.
- ! Nie należy składać ramy, gdy jest zablokowana blokada obrotu przedniego koła.
- ! Zatrask kosza automatycznie zaczepi się za element do montażu kosza, po czym wózek dziecięcy złoży się i zostanie całkowicie zablokowany. 44 i 45

Stosowanie opcji siedzenia

Patrz ilustracje 46 - 55

Wózek może być używany w trybie podwójnym lub pojedynczym. Podczas korzystania z ramy wózka z siedzeniem (Versiti Podwójnego Siedzenia), koszem przenośnym, gondolą Joie (ramble, ramble xl i Calmi) lub nosidełkiem dla niemowląt Joie (i-Sung 2, i-Gemm 3, i-Jemini, sprint i i-Level Pro), należy sprawdzić poniższe instrukcje.

- ! Z niektórymi modelami NIE są dostarczone wszystkie akcesoria i nie są dozwolone wszystkie tryby.
- ! Podczas korzystania z trybu podwójnego, górne mocowanie należy ustawić w pozycji najwyższej lub środkowej. Aby poznać określone położenie górnego mocowania, sprawdź 46
- ! Podczas używania w trybie pojedynczym należy używać wyłącznie z górnym mocowaniem. Siedzenie, gondolę lub nosidełko dla niemowląt należy ustawić w pozycji środkowej lub najniższej, a kosz przenośny należy ustawić wyłącznie w pozycji najniższej. 51 i 52
- ! NIE należy używać ramy wózka z siedzeniem, koszem przenośnym, gondolą lub nosidełkiem dla niemowląt pokazanymi na ilustracji 53

Używanie akcesoriów

Akcesoria mogą być sprzedawane oddzielnie lub w zależności od regionu, mogą nie być dostępne.

Używanie z koszem przenośnym

Patrz ilustracje 54 - 56

Podczas używania wózka z koszem przenośnym należy sprawdzić poniższe instrukcje.

- ! Przed przymocowaniem kosza przenośnego, otwórz uchwyt po obu stronach. 54
- ! Nie należy składać wózka, gdy jest nadal założony kosz przenośny.

Używanie z nosidełkiem dla niemowląt na mocowaniu górnym

Patrz ilustracje 57 - 65

Podczas używania z nosidełkiem dla niemowląt Joie należy stosować się do poniższych instrukcji.

- ! Litery na adapterach są takie same jak te na plastiku ramy. 61
- ! Dźwięk „kliknięcia” oznacza, że adaptery są całkowicie zablokowane.
- ! Kąt podtrzymywania nosidełka dla niemowląt można regulować z użyciem naszych regulowanych adapterów. 62
- ! Adaptery mają 3 pozycje. Produktu nie należy używać, gdy po założeniu nosidełka dla niemowląt, główka dziecka znajduje się niżej niż stopy.
- ! Nie należy składać wózka dziecięcego, gdy jest nadal zamontowany nosidełko dla niemowląt.
- ! W przypadku problemów dotyczących używania nosidełek dla niemowląt, należy sprawdzić ich podręczniki.

Używanie z gondolą Joie na mocowaniu górnym

Patrz ilustracje 67 - 69

Podczas używania z gondolą Joie, należy się stosować do następujących instrukcji.

- ! Dźwięk „kliknięcia” oznacza, że adaptery są całkowicie zablokowane.
- ! Produktu nie należy używać, gdy po założeniu gondoli, główka dziecka znajduje się niżej niż stopy.
- ! Podczas korzystania z fotelika transportowego należy zawsze korzystać z materaca.
- ! Nie należy składać wózka, gdy jest założona torba do noszenia niemowlęcia.
- ! W przypadku problemów dotyczących używania daszka, należy sprawdzić jego instrukcję.

Używanie z nosidełkiem dla niemowląt i gondolą na mocowaniu dolnym

Patrz ilustracje 70 - 74

Podczas używania z nosidełkiem dla niemowląt Joie i gondolą należy stosować się do poniższych instrukcji.

- ! Przed użyciem należy wyciągnąć po obu stronach dolne mocowanie. 70
- ! Dolne mocowanie można złożyć naciskając przyciski po obu stronach. 71
- ! Litery na adapterach słupków są takie same jak te na plastiku ramy. 72
- ! Dźwięk „kliknięcia” oznacza, że adaptery są całkowicie zablokowane.
- ! Kąt podtrzymywania nosidełka dla niemowląt można regulować w 3 pozycjach z użyciem naszych regulowanych adapterów. 63
- ! Produktu nie należy używać, gdy po zamocowaniu nosidełka dla niemowląt lub gondoli, głowa dziecka znajduje się poniżej stóp.
- ! Podczas korzystania z fotelika transportowego należy zawsze korzystać z materaca.
- ! Nie należy składać wózka z założonym nosidełkiem dla niemowląt lub gondolą.
- ! W przypadku jakichkolwiek problemów w korzystaniu z nosidełka dla niemowląt lub gondoli należy zapoznać się z ich instrukcjami obsługi.

Korzystanie z osłony przeciwdeszczowej

patrz ilustracja 66

W celu zamontowania osłony przeciwdeszczowej należy umieścić ją nad siedzeniem.

- ! W przypadku korzystania z osłony przeciwdeszczowej należy zawsze pamiętać o sprawdzeniu wentylacji.
- ! Jeżeli osłona przeciwdeszczowa nie jest wykorzystywana należy pamiętać o jej wyczyszczeniu i wysuszeniu przed złożeniem.
- ! Nie wolno składać wózka z założoną osłoną przeciwdeszczową.
- ! Jeżeli w przypadku upalnej pogody nie wolno wkładać dziecka do wózka z założoną osłoną przeciwdeszczową.

Czyszczenie i konserwacja

patrz ilustracja 76

- ! Do czyszczenia ramy wózka wolno stosować jedynie mydło domowe i ciepłą wodę. Nie wolno stosować środków wybielających ani detergentów. Instrukcja czyszczenia części wózka wykonanych z tkaniny znajduje się na etykiecie dotyczącej konserwacji.
- ! Wyjmowane miękkie elementy można prać w pralce. Nie wolno stosować środków wybielających. Nie należy skręcać z wielką siłą pokrowca siedzenia i obicia wewnętrznego w celu wysuszenia. Może to spowodować zagniecenia na pokrowcu siedzenia i na obiciu wewnętrznym.
- ! Od czasu do czasu należy sprawdzić, czy w wózku nie ma poluzowanych wkrętów, zużytych części, rozdartego materiału lub szwów. W razie potrzeby, naprawić lub wymienić części. Okresowo należy przecierać elementy z tworzywa sztucznego miękką wilgotną ściereczką. Jeżeli doszło do kontaktu wózka z wodą, zawsze należy wysuszyć części metalowe, celem zapobieżenia tworzeniu się rdzy.
- ! Nadmierna ekspozycja na słońce lub ciepło może spowodować fałdowanie lub wyginanie się części.
- ! Jeżeli wózek ulegnie zamoczeniu, daszek należy otworzyć i wysuszyć go dokładnie przed dalszym przechowywaniem.
- ! Jeżeli kółka skrzypią użyć delikatnego oleju (np. aerozolu silikonowego, środka przeciwrzdzewego lub oleju do maszyn do szycia). Ważne jest wprowadzenie oleju między oś a koło. 75
- ! W przypadku korzystania z wózka na plaży lub w innych zapiaszczonych/zapyłonych środowiskach, dokładnie oczyścić wózek po użyciu, w celu usunięcia piasku i soli z mechanizmów oraz zespołów kół.

CZ Vítá vás značka Joie™

Blahopřejeme vám – stali jste se členy rodiny Joie! Jsme nadšeni, že můžeme doprovázet vaše dítě na cestě. Při cestování s kočárkem Joie versiti používáte kvalitní, plně certifikovaný kočárek schválený evropskými bezpečnostními normami EN 1888-2:2018+A1:2022. Tento kočárek je určen pro děti od narození do 15 kg v režimu proti směru jízdy a od narození do 22 kg nebo 4 let (podle toho, která situace nastane dříve) v režimu po směru jízdy. Pozorně si přečtěte tento návod. Jeho dodržováním zajistíte pohodlnou jízdu a maximální ochranu svého dítěte.

DŮLEŽITÉ - POZORNĚ SI PŘEČTĚTE TENTO NÁVOD A USCHOVEJTE JEJ PRO BUDOUCÍ POUŽITÍ.

Pro stažení návodů a více podrobností o vzrušujících výrobcích Joie nás navštivte na joiebaby.com!

Informace o záruce najdete na našem webu joiebaby.com

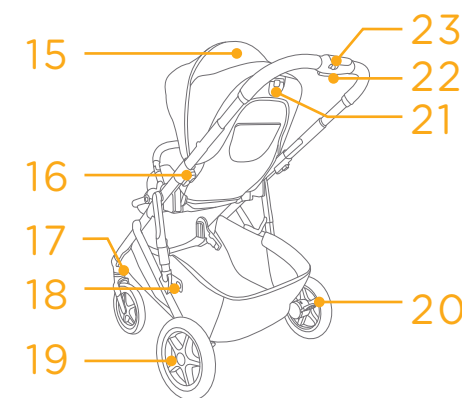
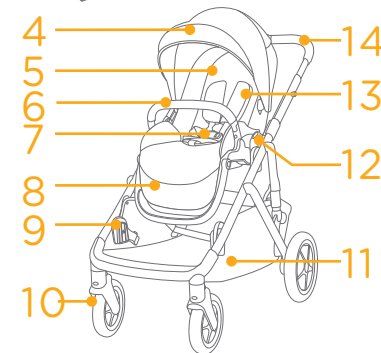
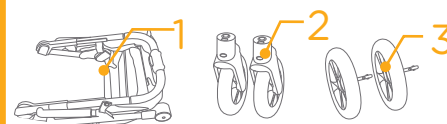
Stav nouze

V případě ohrožení nebo úrazu je nejdůležitější poskytnout vašemu dítěti okamžité ošetření a následnou lékařskou pomoc.

Seznam dílů

Před sestavením se ujistěte, že nechybí žádné součásti. V případě, že některá součást chybí, kontaktujte prodejce. K sestavení nejsou zapotřebí žádné nástroje.

- | | | | |
|----|---------------------------|----|----------------------------------------------------------------|
| 1 | Rám kočárku | 13 | Ramenní postroj |
| 2 | Přední kolečka | 14 | Rukojeť |
| 3 | Zadní kolečka | 15 | Okénko ve stříšce |
| 4 | Stříška | 16 | Tlačítka nastavení výšky sedátka |
| 5 | Vložka sedačky | 17 | Zámek natáčení koleček |
| 6 | Opěrka rukou | 18 | Úložná západka |
| 7 | Přezka | 19 | Zadní kolečko |
| 8 | Opěrka nohou | 20 | Páčka brzdy |
| 9 | Dolní držák | 21 | Rukojeť náklonu |
| 10 | Přední kolečko | 22 | Tlačítka nastavení rukojeti/Rukojeť pro rozložení jednou rukou |
| 11 | Úložný košík | 23 | Sekundární zámek |
| 12 | Tlačítka uvolnění sedátka | | |

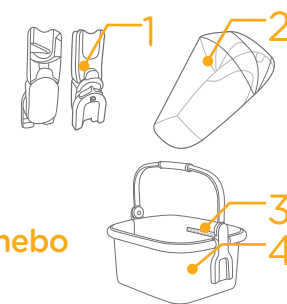


Příslušenství

(Nemusí být součástí)

- 1 Adaptér (u vybraných modelů)
- 2 Pláštěnka (u vybraných modelů)
- 3 Kapsa příručního košíku
- 4 Příruční košík (u vybraných modelů)

Příslušenství se může prodávat zvlášť nebo nemusí být k dispozici v závislosti na regionu.



VAROVÁNÍ

- ! Vždy používejte zádržný systém.
- ! Před použitím zkontrolujte, zda jsou všechny pojistky aktivovány.
- ! Nedovolte, aby si dítě s tímto výrobkem hrálo.
- ! Před použitím zkontrolujte, zda jsou správně zajištěny upevňovací prvky korby, sedátka nebo autosedačky.
- ! Sestavení smí provést pouze dospělá osoba.
- ! Na tomto kočárku převázejte pouze jedno dítě najednou. Tento kočárek je určen pro děti od narození do 15 kg v režimu proti směru jízdy a od narození do 22 kg nebo 4 let (podle toho, která situace nastane dříve) v režimu po směru jízdy.
- ! V případě používání tohoto kočárku s dítětem o hmotnosti nad 15 kg v orientaci proti směru jízdy nebo s dítětem o hmotnosti nad 22 kg v orientaci po směru jízdy bude docházet k nadměrnému opotřebení a namáhání tohoto kočárku.
- ! Aby se zabránilo nebezpečné a nestabilní situaci, neumísťujte do úložného košíku více než 10kg.
- ! Své dítě v žádném případě neponechávejte bez dozoru.
- ! V žádném případě neumísťujte peněženky, nákupní tašky, balíky nebo příslušenství na držadlo nebo stříšku.
- ! Je zakázáno používat příslušenství, které nebylo schváleno výrobcem.
- ! Je dovoleno používat pouze náhradní díly, které byly dodány nebo doporučeny výrobcem.
- ! Rozkládání a skládání tohoto výrobku provádějte v bezpečné vzdálenosti od dítěte, aby se zabránilo zranění.
- ! Tento výrobek není vhodný pro běhání nebo bruslení.
- ! Tento kočárek je určen pro používání od narození. Pro novorozence doporučujeme používat největší sklon.
- ! Při vkládání nebo vyjímání dětí musí být aktivováno parkovací zařízení.
- ! Používáte-li autosedačky v kombinaci s podvozkem, toto vozidlo nenahrazuje postýlku ani lůžko. Když vaše dítě potřebuje spát, uložte jej do vhodné hluboké korby, postýlky nebo na vhodné lůžko.
- ! Přestaňte používat hlubokou korbu, jakmile dítě dokáže samo sedět, otočit se a samo se zvedat na ruce a kolena. Maximální hmotnost dítěte: 9 kg.
- ! Není-li doporučeno výrobcem, nepřidávejte žádnou další matraci.
- ! Jakákoli zátěž připevněná na držadlo a/nebo na zadní stranu opěráku a/nebo na boční strany vozidla snižuje jeho stabilitu.
- ! Maximální zatížení úložné kapsy na zadní straně opěráku je 0,45 kg (1 lb).
- ! Maximální zatížení příručního košíku je 10 kg.

Sestavení kočárku

(Řiďte se prosím obrázky na straně 1-16)

Před montáží a použitím tohoto výrobku si přečtěte všechny pokyny v tomto návodu.

Otevřený kočárek

viz obrázky 1 - 4

Oddělte úložnou západku od úložného držáku 1, potom zvedněte rukojeť nahoru 2 & 3. Jakmile se ozve cvaknutí, kočárek je zcela složený.

! Než budete pokračovat, zkontrolujte, zda je kočárek zcela zajištěný západkami

Montáž a sejmutí předního kolečka

viz obrázky 5 - 6

Montáž a sejmutí zadního kolečka

viz obrázky 7 - 9

Zcela sestavený kočárek je zobrazen na obrázku 10

Používání kočárku

Úprava opěraku

viz obrázek 11

K dispozici je 4 poloh sklonu opěraku.

Chcete-li zvednout nebo sklopit opěrák, otočte rukojeť náklonu na zadní straně sedačky a zatlačte na opěrák směrem dolů. 11

! Prosím nestiskněte uvolňovací tlačítko 11 - 3 uprostřed rukojeti náklonu během úpravy úhlu náklonu.

! Ujistěte se, že náklon je řádně nastaven pro použití.

! Maximální zatížení úložné kapsy na zadní straně opěraku je 0,45 kg.

Použití spony

viz obrázky 12 - 13

Uvolnění spony

Stisknutím tlačítka se spona automaticky rozepe. 12

Zámek spony

Srovnejte sponu bederního pásu se sponou ramenního pásu 13 - 1 a zarovnejte je se středovou sponou. Spona se může zajistit automaticky 13 - 2. Jakmile se ozve „cvaknutí“, znamená to, že spona je zcela zajištěná. 13 - 3

! Aby se zabránilo pádu nebo vyklouznutí a vážnému zranění, vždy zajistěte své dítě postrojem.

! Ujistěte se, že dítě je pohodlně zajištěno. Mezi dítětem a ramenním postrojem musí být prostor přibližně na tloušťku jedné ruky.

! Nekřížte ramenní pásy. Tím se vytváří tlak na krk dítěte.

Použití ramenního postroje a postroje do pasu

viz obrázky 14 - 15

! Abyste vaše dítě ochránili před vypadnutím, po usazení dítěte do sedačky zkontrolujte, zda jsou ramenní a bederní postroj ve správné výšce a délce.

14 - 1 Kotva ramenního postroje

14 - 2 Posuvný regulátor

Pro větší dítě použijte kotvu ramenního postroje a nejvyšší ramenní sloty. Pro menší dítě použijte kotvu ramenního postroje a nejnižší ramenní sloty.

Pro úpravu pozice kotvy ramenního postroje otočte kotvu tak, aby byla v rovině s boční stranou směřující dopředu. Protáhněte ji slotem ramenního postroje zezadu dopředu 17. Znovu ji protáhněte slotem, který je nejbližší výšce ramene dítěte. 18

Pro změnu délky postroje použijte posuvný regulátor. 19 - 1

Stiskněte tlačítko 19 - 2 a zároveň vytáhněte bederní postroj na správnou délku. 19 - 3

Nasazení a vyjmutí opěrky rukou

viz obrázky 20 - 22

Úprava opěrky nohou

viz obrázky 23 - 24

Opěrka nohou má 2 polohy.

Pro snížení opěrky nohou stiskněte nastavovací tlačítka na obou stranách opěrky nohou 23 - 1 a otočte opěrku nohou směrem dolů. 23 - 2

Pro zvednutí opěrky nohou ji zatlačte směrem nahoru. Jakmile se ozve „cvaknutí“, znamená to, že opěrka je zcela zajištěná.

Použití zámku natáčení předních koleček

viz obrázek 25

Stav zamknutí/odemknutí předních koleček viz 25.

Tip Na nerovném povrchu doporučujeme zablokovat natáčení koleček.

Použití brzdy

viz obrázky 26 - 27

Pro zajištění koleček stlačte páčku brzdy směrem dolů, indikátor bude mít červenou barvu. 26

Pro uvolnění koleček stlačte páčku brzdy znovu směrem dolů, indikátor bude mít zelenou barvu. 27

Tip Když zastavíte, vždy použijte parkovací brzdu.

Použití stříšky

viz obrázky 28 - 31

Stříška může být rozložená nebo složená, zatáhněte dopředu nebo dozadu. 28

Stříšku lze zcela otevřít pro extrémní ochranu vašeho dítěte před sluncem, stačí rozepnout zip 29 a stáhnout stříšku dopředu.

Ve stříšce je okénko, kterým můžete své dítě sledovat. 30

Stříšku lze odpojit podle obrázku 31

Úprava držadla

viz obrázek 32

Rukojeť má 5 polohy.

Úprava výšky sedačky

viz obrázek 33

Sedačka má 3 polohy.

Stiskněte tlačítka nastavení výšky sedačky a potažením nahoru posuňte sedačku nahoru nebo zatlačením dolů posuňte sedačku dolů. 33

Otočení sedačky

viz obrázky 34 - 41

Sedačku lze otočit, což umožňuje, aby bylo dítě otočené k matce.

Posuňte uvolňovací tlačítka sedátka a zvedněte sedátko nahoru. Otočte sedátko do opačného směru a potom zasuňte sedátko do držáků.

Oba držáky sedátka musí být vyrovnány jako na obrázku 35. Dojde-li k situaci 37 & 38, stiskněte tlačítko pro nastavení výšky sedátka a vytáhněte jej nahoru nebo zatlačením dolů nastavte držák sedátka tak, aby byly oba držáky sedátek v rovině. 39

Používání polstru ramenního postroje a rozkrokového postroje

viz obrázek 42

Polstr ramenního postroje a rozkrokového postroje lze sejmut z popruhu.

Při nasazování polstru ramenního postroje a rozkrokového postroje postupujte podle stejných kroků v opačném pořadí.

Rozložení kočárku

viz obrázky 43 - 45

! Před rozložením kočárku složte stříšku.

! Tlačítko uprostřed rukojeti náklonu se používá k rozložení sedačky. 43 - 1

! Rozložený kočárek může stát vyjma případu, když je držadlo nastaveno do nejvyšší polohy.

! Nerozkládejte rám, když je zablokováno otáčení předních koleček.

! Když je kočárek zcela rozložen a zajištěn, úložná západka se automaticky zahákne do úložného úchyty. 47 & 48

Možnosti sezení

viz obrázky 50 - 52

Tento kočárek lze používat s jedním nebo se dvěma dětmi. Při použití rámu kočárku se sedátkem, příručním košíkem (Přídavné Sedátko Versiti), hlubokou korbou Joie (ramble, ramble xl a calm) nebo dětským zádržným systémem Joie (i-Sung 2, i-Gemm 3, i-Jemini, sprint a i-Level Pro) postupujte podle následujících pokynů.

! U některých modelů NENÍ některé příslušenství k dispozici a nelze použít některé režimy.

! Při používání se dvěma dětmi je nutno upravit horní držák do nejvyšší nebo střední polohy. Specifická poloha horního držáku je uvedena na 50

! V režimu jednoho dítěte používejte pouze horní držák. Sedátko, hluboká korba nebo dětský zádržný systém musí být nastaveny do střední nebo nejnižší polohy, příruční košík musí být nastaven pouze do nejnižší polohy. 51 & 52

! NEPOUŽÍVEJTE rám kočárku se sedátkem, hlubokou korbou ani dětským zádržným systémem podle obrázku 53

Použití příslušenství

Příslušenství se může prodávat zvlášť nebo nemusí být k dispozici v závislosti na regionu.

Použití s příručním košíkem

viz obrázky 54 - 56

Při použití s příručním košíkem prosím přečtěte následující pokyny.

! Před připevněním příručního košíku otevřete držák na obou stranách. 54

! Nerozkládejte kočárek s nasazeným příručním kočárkem.

Používání s dětským zádržným systémem na horním držáku

viz obrázky 57 - 59

Při použití s dětským zádržným systémem Joie si prosím přečtěte následující pokyny.

! Písmena na adaptérech jsou pro instalaci stejná, jako písmena na plastu rámu. 57

! Jakmile se ozve „cvaknutí“, znamená to, že adaptéry jsou zcela zajištěné.

! Úhel zádržného systému pro novorozence lze upravit s použitím našich stavitelných adaptérů. 58

! Adaptéry mají 3 polohy. Nepoužívejte produkt, pokud je hlava dítěte po připevnění zádržného systému pro novorozence níže, než nohy.

! Nerozkládejte kočárek s nasazenou dětskou autosedačkou.

! Máte-li problémy s použitím dětské autosedačky, přečtěte si prosím jeho vlastní pokyny k použití.

Použití s hlubokou korbou Joie na horním držáku

viz obrázky 57 - 59

Při použití s korbou Joie postupujte podle následujících pokynů.

! Jakmile se ozve „cvaknutí“, znamená to, že adaptéry jsou zcela zajištěné.

! Nepoužívejte produkt, pokud je hlava dítěte po připevnění hluboké korby níže, než nohy.

! S hlubokou korbou vždy používejte matraci.

! Nerozkládejte kočárek s nasazenou hlubokou korbou.

! Máte-li problémy s použitím hlubokého lůžka, přečtěte si prosím jeho vlastní pokyny k použití.

Používání s dětským zádržným systémem nebo s hlubokou korbou na dolním držáku

viz obrázky 60 - 72

Při použití s dětským zádržným systémem nebo s hlubokou korbou si prosím přečtěte následující pokyny.

! Před použitím vysuňte dolní držák na obou stranách. 60

! Dolní držák lze sklopit stisknutím tlačítek na obou stranách. 71

! Písmena na adaptérech jsou pro instalaci stejná, jako písmena na plastu rámu. 72

! Jakmile se ozve „cvaknutí“, znamená to, že adaptéry jsou zcela zajištěné.

! Úhel zádržného systému pro novorozence lze upravit do 3 poloh s použitím našich stavitelných adaptérů. 63

! Nepoužívejte produkt, pokud je hlava dítěte po připevnění dětského zádržného systému níže než nohy.

! S hlubokou korbou vždy používejte matraci.

! Nerozkládejte kočárek s nasazeným dětským zádržným systémem nebo hlubokou korbou.

! Máte-li problémy s použitím dětského zádržného systému a hlubokou korbou, přečtěte si prosím jeho vlastní pokyny k použití.

Použití pláštěnky

viz obrázek 73

Pláštěnku nasadte přes sedačku.

! Při použití pláštěnky prosím vždy zkontrolujte její ventilaci.

! Před rozložením vždy zkontrolujte, zda byla pláštěnka očištěna a je suchá.

! Nerozkládejte kočárek s nasazenou pláštěnkou.

! V horkém počasí neumísťujte dítě do kočárku s nasazenou pláštěnkou.

Čištění a údržba

viz obrázek 76

! K čištění rámu kočárku použijte pouze běžné mýdlo a teplou vodu. Nepoužívejte bělidlo ani detergent. Pokyny pro čištění textilních částí kočárku najdete na štítku s pokyny pro péči a údržbu.

! Snímatelné látkové části lze prát v pračce. Nebělit. Potah sedačky ani vnitřní polstrování neždímejte pro rychlejší schnutí. Mohlo by to na potahu sedačky nebo na vnitřním polstrování zanechat záhyby.

! Pravidelně kontrolujte stav opotřebení součástí a případně uvolněné šrouby, potrhání materiálu nebo švů výrobku. Poškozené součásti podle potřeby vyměňte nebo opravte. Pravidelně čistěte plastové části měkkým vlhkým hadříkem. Kovové části vždy osušte, abyste zabránili tvorbě rzi, pokud kočárek přišel do kontaktu s vodou.

! Nadměrné vystavení slunci nebo teple může způsobit blednutí nebo deformování dílů.

! Pokud kočárek navlhne, otevřete stříšku a před uložením ho nechte důkladně oschnout.

! Pokud kolečka skřípají, použijte lehký olej (např. silikonový sprej, antikoroziní olej nebo olej na šicí stroje). Je důležité namazat olejem nápravu koleček. 76

! Při použití kočárku na pláži nebo v jiném písčitém/prášném prostředí kočárek po použití zcela vyčistěte, abyste odstranili písek a sůl z mechanismů a náprav koleček.

SK Vitajte v rodine Joie™

Blahoželáme, že ste sa stali súčasťou rodiny Joie! Sme nadšení, že sme súčasťou vašej cesty s vaším dieťaťom. Pri cestovaní s Joie versiti používate kvalitný, plne certifikovaný kočík, schválený podľa európskych bezpečnostných noriem STN EN 1888-2:2018+A1:2022. Kočík je určený pre deti od narodenia do 15 kg s režimom smerovania tvarou dozadu a od narodenia do 22 kg alebo 4 rokov, podľa toho, čo nastane skor, s režimom smerovania tvarou dopredu. Pozorne si prečítajte túto príručku a dodržiavajte všetky kroky na zabezpečenie pohodlnej jazdy a čo najlepšej ochrany svojho dieťaťa.

DÔLEŽITÉ - POZORNE SI PREČÍTAJTE A UCHOVAJTE PRE NESKORŠIE POUŽITIE.

Navštívte nás na joiebaby.com, kde si môžete stiahnuť manuály a pozrieť ďalšie zaujímavé výrobky spoločnosti Joie!

Informácie o záruke nájdete na našej webovej stránke joiebaby.com.

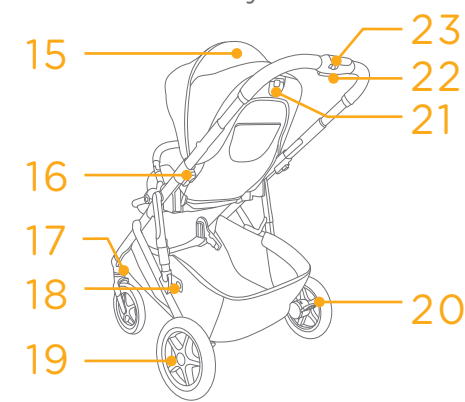
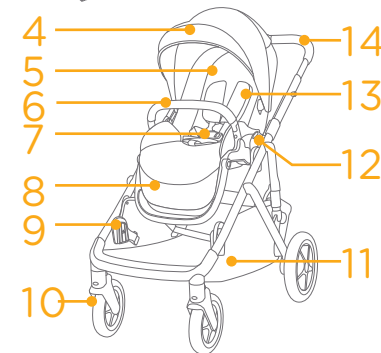
Núdzová situácia

V prípade mimoriadnej udalosti alebo nehody je najdôležitejšie, aby bolo o vaše dieťa ihneď postarané v rámci prvej pomoci a lekárskeho ošetrovania.

Zoznam jednotlivých častí

Pred zostavením skontrolujte, či máte všetky časti. Ak chýba ktorákoľvek časť, obráťte sa na miestneho predajcu. Na zostavenie nie sú potrebné žiadne nástroje.

- | | | | |
|----|------------------------------|----|------------------------------------------------------------------|
| 1 | Rám kočíka | 13 | Ramenné popruhy |
| 2 | Predné kolesá | 14 | Rukoväť |
| 3 | Zadné kolesá | 15 | Otvor textilnej striešky |
| 4 | Textilná strieška | 16 | Tlačidlá na nastavenie výšky sedačky |
| 5 | Čalúnenie sedačky | 17 | Zámok otáčania |
| 6 | Držadlo | 18 | Západka úložného priestoru |
| 7 | Spona | 19 | Zadné koleso |
| 8 | Lýtková opierka | 20 | Brzdová páčka |
| 9 | Dolný držiak | 21 | Rukoväť sklonu |
| 10 | Predné koleso | 22 | Tlačidlo na nastavenie rukoväte/Rukoväť na zloženie jednou rukou |
| 11 | Úložný košík | 23 | Sekundárny zámok |
| 12 | Uvoľňovacie tlačidlo sedačky | | |



Príslušenstvo

(nemusí byť zahrnuté)

- | | | | |
|---|--------------------------------------|---|--------------------------------------------|
| 1 | Adaptér (na niektorých modeloch) | 2 | Kryty proti dažďu (na niektorých modeloch) |
| 3 | Vrecko ručného košíka | | |
| 4 | Ručný košík (na niektorých modeloch) | | |

Príslušenstvo sa môže predávať samostatne alebo nemusí byť k dispozícii v závislosti od oblasti.



VÝSTRAHA

- ! Vždy používajte zadržiavací systém.
- ! Pred použitím skontrolujte, či sú zapojené všetky zaistovacie zariadenia.
- ! Nenechávajte dieťa hrať sa s týmto výrobkom.
- ! Pred použitím skontrolujte, či sú teleso kočíka alebo jednotka sedačky, alebo upevňovacie prvky autosedačky správne zaistené.
- ! Montáž musia vykonať dospelé osoby.
- ! Kočík používajte naraz len pre jedno dieťa. Kočík je určený pre deti od narodenia do 15 kg s režimom smerovania tvárou dozadu a od narodenia do 22 kg alebo 4 rokov, podľa toho, čo nastane skôr, s režimom smerovania tvárou dopredu.
- ! Použitie kočíka s dieťaťom ťažším ako 15 kg v režime smerovania tvárou dozadu alebo ťažším ako 22 kg v režime smerovania tvárou dopredu spôsobí nadmerné opotrebovanie a namáhanie tohto kočíka.
- ! Aby ste predišli nebezpečným a nestabilným podmienkam, do úložného košíka neumiestňujte veci s hmotnosťou viac ako 10 kg.
- ! Nikdy nenechajte dieťa bez dozoru.
- ! Nikdy nepokladajte na rukoväť ani textilnú striešku peňaženky, nákupné tašky, balíky alebo prvky príslušenstva.
- ! Príslušenstvo, ktoré nie je schválené výrobcom, sa nesmie používať.
- ! Musia sa používať len náhradné diely dodávané alebo odporúčané výrobcom.
- ! Aby ste sa vyhli poraneniu, uistite sa, že je dieťa pri rozkladaní a skladaní tohto výrobku v bezpečnej vzdialenosti.
- ! Tento výrobok nie je vhodný na behanie alebo korčuľovanie.
- ! Kočík je navrhnutý na používanie od narodenia a pre novo narodené deti sa odporúča používanie úplne sklopenej polohy.
- ! Pri vkladaní a vyberaní detí sa musí aktivovať parkovacie zariadenie.
- ! Pre sedadlá automobilov používané v spojení s podvozkom platí, že toto vozidlo nenahrádza postieľku ani posteľ. Ak vaše dieťa potrebuje spať, malo by sa umiestniť do vhodného telesa kočíka, postieľky alebo posteľe.
- ! Prenosná postieľka sa nesmie používať, keď bude dieťa schopné samo sedieť, prevrátiť sa a samo sa vytlačiť na ruky a kolená. Maximálna hmotnosť dieťaťa: 9kg.
- ! Nesmie sa pridávať žiadny ďalší matrac, pokiaľ to neodporúča výrobca.
- ! Akékoľvek zaťaženie pôsobiace na rukoväť a/alebo zadnú stranu operadla a/alebo na boky vozidla ovplyvní stabilitu vozidla.
- ! Maximálne zaťaženie odkladacieho vrečka na zadnej strane operadla je 0,45 kg (1 libra).
- ! Maximálne zaťaženie ručného košíka je 10 kg.

Zostavenie kočíka

(Pozrite si obrázky na strane 1 - 16)

Pred zostavením a používaním tohto výrobku si prečítajte všetky pokyny, ktoré sú v tejto príručke uvedené.

Rozloženie kočíka

pozrite si obrázky 1 - 4

Oddeľte západku úložného priestoru od držiaka úložného priestoru 1 a potom zdvihnite rukoväť 2 a 3, zvuk „cvaknutia“ znamená, že je kočík úplne rozložený.

! Pred pokračovaním v používaní skontrolujte, či sú západky na kočíku úplne zaistené.

Zostavenie a odpojenie predného kolesa

pozrite si obrázky 5 - 6

Zostavenie a odpojenie zadného kolesa

pozrite si obrázky 7 - 9

Úplne zostavený kočík je zobrazený na obrázku 10

Prevádzka kočíka

Nastavenie operadla

pozrite si obrázok 11

Operadlo má 4 uhly sklonu.

Ak chcete zdvihnúť alebo skloniť operadlo, otočte rukoväť sklonu na zadnej časti sedačky a potiahnite operadlo nadol. 11

! Pri nastavovaní uhlu sklonu nestlačte uvoľňovacie tlačidlo 11 - 3 v strede rukoväte sklonu.

! Skontrolujte, či je sklon nastavený správne pre používanie.

! Maximálne zaťaženie odkladacieho vrečka na zadnej strane operadla je 0,45 kg.

Použitie spony

pozrite si obrázky 12 - 13

Rozopnutie spony

Stlačte tlačidlo, spona sa uvoľní automaticky. 12

Zaistenie spony

Zarovnajzte sponu bedrového pásu s ramennou sponou 13 - 1 a zarovnajzte ich so strednou sponou, spona sa dokáže zaistiť automaticky 13 - 2. Zvuk „cvaknutia“ znamená, že je spona úplne zaistená. 13 - 3

! Aby ste predišli vážnemu poraneniu v dôsledku pádu alebo vykĺznutia, vždy zaistíte dieťa pomocou popruhov.

! Skontrolujte, či je dieťa pohodlne zaistené. Medzera medzi dieťaťom a ramennými popruhmi je široká asi na hrúbku jednej ruky.

! Neprekrižte ramenné pásy. Spôsobí to tlak na krk dieťaťa.

Použitie ramenných a bedrových popruhov

pozrite si obrázky 14 - 16

! Aby bolo vaše dieťa chránené pred vypadnutím, po umiestnení dieťaťa do sedadla skontrolujte, či sú ramenné a bedrové popruhy v správnej výške a či majú správnu dĺžku.

14 - 1 Kotva ramenného popruhu

14 - 2 Posuvný nastavovací prvok

Pri väčšom dieťati použite kotvu ramenného popruhu a najvyššie ramenné otvory. Pri menšom dieťati použite kotvu ramenného popruhu a najnižšie ramenné otvory.

Ak chcete upraviť polohu kotvy ramenného popruhu, otočte kotvu tak, aby bola v rovine so stranou smerujúcou dopredu. Prevlečte ju cez otvor ramenného popruhu zozadu dopredu 17. Znova ju prevlečte cez otvor, ktorý je najbližšie k výške ramena dieťaťa. 18

Na zmenu dĺžky popruhov použite posuvný nastavovací prvok. 19 - 1

Stlačte tlačidlo 19 - 2 a zároveň potiahnite bedrové popruhy na správnu dĺžku. 19 - 3

Zostavenie a odpojenie držadla

pozrite si obrázky 20 - 22

Nastavenie lýtkovej opierky

pozrite si obrázky 23 - 24

Lýtková opierka má 2 polohy.

Ak chcete lýtkovú opierku znížiť, stlačte nastavovacie tlačidlá na oboch stranách lýtkovej opierky 23 - 1, a otočte lýtkovú opierku smerom nadol. 23 - 2

Ak chcete lýtkovú opierku zvýšiť, zatlačte ju dohora. Zvuk „cvaknutia“ znamená, že je lýtková opierka úplne zaistená.

Použitie predného zámku otáčania

pozrite si obrázok 25

Zaistený alebo odistený stav predného kolesa, ako na obrázku 25.

Tip Na nerovných povrchoch sa odporúča použitie zámkov otáčania.

Použitie brzd

pozrite si obrázky 26 - 27

Stúpením na brzdovú páčku v smere nadol zablokujete kolesá, indikátor zobrazí červenú farbu. 26

Opätovným stúpením na brzdovú páčku v smere nadol uvoľníte kolesá, indikátor zobrazí zelenú farbu. 27

Tip Vždy, keď sa kočík nepohybuje, zatahnite brzdovú páčku.

Použitie striešky

pozrite si obrázky 28 - 31

Textilnú striešku možno roztriahnuť alebo zložiť, potiahnite ju dopredu alebo dozadu. 28

Plátennú striešku možno úplne rozložiť, aby čo najviac chránila dieťa pred slnkom, stačí rozopnúť zips 29 a potom vytiahnuť plátennú striešku smerom dopredu.

V plátenej strieške je priezor, cez ktorý môžete vidieť na dieťa. 30

Striešku možno odpojiť, ako to je na obrázku 31

Nastavenie rukoväte

pozrite si obrázok 32

Rukoväť má 5 polohy.

Nastavenie výšky sedačky

pozrite si obrázok 33

Sedačka má 3 polohy.

Stlačte nastavovacie tlačidlá výšky sedačky a potiahnutím nahor ju zvýšte alebo zatlačte nadol, ak chcete výšku sedačky znížiť. 33

Zmena orientácie sedačky

pozrite si obrázky 34 - 41

Orientáciu sedačky možno zmeniť, čo umožní, že matka s dieťaťom budú tvárou v tvár.

Posuňte uvoľňovacie tlačidlá sedačky a pritom nadvihnite sedačku. Otočte sedačku do opačného smeru a potom vložte sedačku do držiakov sedačky.

Oba držiaky sedačky musia byť vodorovne, ako je zobrazené na 34, ak nastanú situácie zobrazené na 37 a 38, stlačte nastavovacie tlačidlo výšky sedačky a potiahnite nahor alebo zatlačte nadol na úpravu držiaka sedačky, aby ste sa uistili, že sú oba držiaky sedačky zarovnané. 39

Použitie krytu ramenných popruhov a krytu rozkrokového popruhu

pozrite si obrázok 42

Kryt ramenných popruhov alebo kryt rozkrokového popruhu sa dá vybrať z popruhov. Ak chcete zostaviť kryt ramenných popruhov a kryt rozkrokového popruhu, postupujte v opačnom poradí krokov.

Zloženie kočíka

pozrite si obrázky 43 - 45

- ! Pred zložením kočíka zložte plátennú striešku.
- ! Tlačidlo v strede rukoväte sklonu sa používa na zloženie sedačky. 43 - 1
- ! Zložený kočík môže stáť okrem prípadu, keď je rukoväť v najvyššej polohe.
- ! Ak je záмок otáčania predného kolesa zaistený, neskladajte rám.
- ! Západka úložného priestoru sa automaticky zachytí o držiak úložného priestoru a potom bude kočík zložený a úplne zaistený. 47 a 48

Používanie možností sedenia

pozrite si obrázky 50 - 53

Kočík možno používať v dvojitom alebo jednoduchom režime. Pri používaní rámu kočíka so sedačkou, ručným košíkom (Súrodenecká Sedačka Versiti), prenosnou postielkou Joie (ramble, ramble xl and calm) alebo doječenskou detskou autosedačkou Joei (i-Sung 2, i-Gemm 3, i-Jemini, sprint and i-Level Pro) si pozrite nasledujúce pokyny.

- ! Niektoré modely NEOBSAHUJÚ všetko príslušenstvo a nie všetky režimy sú povolené.
- ! Pri používaní v dvojitom režime sa musí horný držiak nastaviť do najvyššej alebo strednej polohy. Konkrétne polohu horného držiaka nájdete na 51
- ! Jednoduchý režim sa môže používať len s horným držiakom. Sedačka, prenosná postielka alebo doječenská detská autosedačka sa musia nastaviť do strednej alebo najnižšej polohy, ručný košík sa musí nastaviť len do najnižšej polohy. 51 a 52
- ! Nepoužívajte rám kočíka so sedačkou, ručným košíkom, prenosnou postielkou alebo doječenskou detskou autosedačkou ako to je zobrazené na obrázku 53

Použitie príslušenstva

Príslušenstvo sa môže predávať samostatne alebo nemusí byť k dispozícii v závislosti od oblasti.

Použitie s ručným košíkom

pozrite si obrázky 54 - 56

- Pri použití s ručným košíkom si pozrite nasledujúce pokyny.
- ! Pred pripojením ručného košíka rozložte držiak na oboch stranách. 54
- ! Neskladajte kočík so stále pripevneným ručným košíkom.

Použitie s doječenskou detskou autosedačkou na hornom držiaku

pozrite si obrázky 57 - 59

- Pri použití s doječenskou detskou autosedačkou Joie si pozrite nasledujúce pokyny.
- ! Písmená na pripájacích adaptéroch sú rovnaké ako na plaste rámu. 57
- ! Zvuk „cvaknutia“ znamená, že sú adaptéry úplne zaistené.
- ! Uhol doječenskej detskej autosedačky možno nastaviť pomocou našich nastaviteľných adaptérov. 58
- ! Adaptéry majú 3 polohy. Nepoužívajte výrobok, ak je hlava dieťaťa po pripevnení doječenskej detskej autosedačky nižšie ako nohy.
- ! Neskladajte kočík so stále pripevnenou doječenskou detskou autosedačkou.
- ! Pri akýchkoľvek problémoch s používaním doječenskej detskej autosedačky si pozrite jej návod na použitie.

Použitie s prenosnou postielkou Joie na hornom držiaku

pozrite si obrázky 60 - 62

- Pri použití s prenosnou postielkou Joie si pozrite nasledujúce pokyny.
- ! Zvuk „cvaknutia“ znamená, že sú adaptéry úplne zaistené.
- ! Nepoužívajte výrobok, ak je hlava dieťaťa po pripevnení prenosnej postielky nižšie ako nohy.
- ! Pri používaní prenosnej postielky vždy používajte matrac.
- ! Pri pripájaní prenosnej postielky neskladajte kočík.
- ! Pri akýchkoľvek problémoch s používaním prenosnej postielky si pozrite jej návod na použitie.

Použitie s doječenskou detskou autosedačkou a prenosnou postielkou na dolnom držiaku

pozrite si obrázky 70 - 74

- Pri použití s doječenskou detskou autosedačkou a prenosnou postielkou Joie si pozrite nasledujúce pokyny.
- ! Pred použitím vytiahnite dolný držiak na oboch stranách. 70
- ! Dolný držiak možno zložiť po stlačení tlačidiel na oboch stranách. 71
- ! Písmená na pripájacích adaptéroch sú rovnaké ako na plaste rámu. 72
- ! Zvuk „cvaknutia“ znamená, že sú adaptéry úplne zaistené.
- ! Uhol doječenskej detskej autosedačky možno nastaviť do jednej z 3 polôh pomocou našich nastaviteľných adaptérov. 73
- ! Nepoužívajte výrobok, ak je hlava dieťaťa po pripevnení doječenskej detskej autosedačky alebo prenosnej postielky nižšie ako nohy.
- ! Pri používaní prenosnej postielky vždy používajte matrac.
- ! Pri pripájaní doječenskej detskej autosedačky alebo prenosnej postielky neskladajte kočík.
- ! Pri akýchkoľvek problémoch s používaním doječenskej detskej autosedačky a prenosnej postielky si pozrite ich návody na použitie.

Použitie krytu proti dažďu

pozrite si obrázok 75

- Ak chcete zostaviť kryt proti dažďu, umiestnite ho nad sedačku.
- ! Pri používaní krytu proti dažďu vždy skontrolujte vetranie.
- ! Keď sa nepoužíva, pred zložením skontrolujte, či je kryt proti dažďu vyčistený a vysušený.
- ! Neskladajte kočík po namontovaní krytu proti dažďu.
- ! V horúcom počasí nedávajte svoje dieťa do kočíka s namontovaným krytom proti dažďu.

Čistenie a údržba

pozrite si obrázok 76

- ! Na čistenie rámu kočíka používajte len domáce mydlo a teplú vodu. Žiadne bielidlo ani čistiaci prostriedok. Pokyny na čistenie textilných častí kočíka nájdete na štítku s návodom na ošetrovanie.
- ! Odnímateľné mäkké textilie možno prať v práčke. Nepoužívajte bielidlo. Neskrúčajte kryt sedačky ani vnútorné čalúnenie veľkou silou, aby ste ich vysušili. Mohlo by to na poťahu sedačky a čalúnenie zanechať zvrásnenie.
- ! Občas skontrolujte, či na kočíku nie sú povolené skrutki, opotrebované súčasti, roztrhnuté alebo rozpáraný materiál. Tieto súčasti vymeňte alebo opravte. Pravidelne utierajte plastové časti dočista mäkkou navlhčenou handričkou. Vždy osušte kovové časti, aby sa zabránilo tvorbe hrdze, ak sa kočík dostal do styku s vodou.
- ! Nadmerné vystavenie slnečnému žiareniu alebo teplu môže spôsobiť vyblednutie alebo deformáciu častí.
- ! Ak je kočík vlhký, roztrhajte plátennú striešku a nechajte ho pred uskladnením dôkladne vysušiť.
- ! Ak kolesá pískajú, použite jemný olej (napr. silikónový sprej, antikoročný olej alebo olej do šijacieho stroja). Je dôležité, aby sa olej dostal do zostavy osky a kolesa. 76
- ! Pri používaní kočíka na pláži alebo v iných piesočnatých/prášnych prostrediach ho po použití úplne vyčistite, aby ste odstránili piesok a soľ z mechanizmov a zostáv kolies.

SL Dobrodošli pri znamki Joie™

Čestitamo vam, da ste postali član družine Joie! Veseli nas, da bomo del vašega življenja z malčkom. Medtem ko potujete z izdelkom Joie versiti, uporabljate visokokakovosten in popolnoma certificiran otroški voziček, odobren v skladu z evropskimi varnostnimi standardi EN 1888-2:2018+A1:2022. Otroški voziček je namenjen otrokom od rojstva do 15 kg v načinu, ko je otrok obrnjen v nasprotni smeri vožnje, primeren pa je za uporabo od rojstva do 22 kg ali 4 let, kar pride prej, in sicer v načinu, ko je otrok obrnjen v smeri vožnje. Natančno preberite ta navodila in upoštevajte vse korake, da boste zagotovili udobno vožnjo in najboljšo zaščito za svojega otroka.

POMEMBNO - SKRIBNO PREBERITE IN SHRANITE ZA NADALJNJO UPORABO.

Obiščite spletno stran joiebaby.com, kjer lahko prenesete navodila in si ogledate tudi druge vznemirljive izdelke Joie!

Informacije o garanciji najdete na spletni strani joiebaby.com

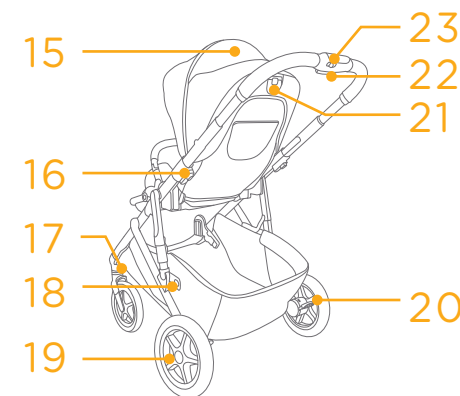
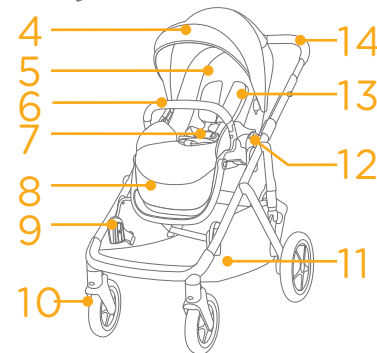
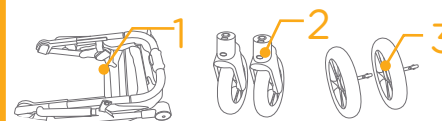
V nujnem primeru

V nujnem primeru ali v primeru nesreče je pomembno, da otroku takoj nudite prvo pomoč in obiščete zdravnika.

Seznam delov

Prepričajte se, da imate pred sestavljanjem izdelka na voljo vse dele. Če kateri od delov manjka, se obrnite na lokalnega prodajalca. Za sestavljanje izdelka ne potrebujete nobenega orodja.

- | | | | |
|----|---------------------------|----|------------------------------------------------------|
| 1 | Okvir vozička | 13 | Ramenski varnostni pas |
| 2 | Sprednja kolesa | 14 | Ročaj |
| 3 | Zadnja kolesa | 15 | Okno na strehici |
| 4 | Strehica | 16 | Gumba za nastavitev višine sedeža |
| 5 | Sedežna blazina | 17 | Zaklep vrtljivih koles |
| 6 | Naslonjalo za roke | 18 | Zaklep za shranjevanje |
| 7 | Zaponka | 19 | Zadnje kolo |
| 8 | Podpora za meča | 20 | Vzvod zavore |
| 9 | Spodnji nosilec | 21 | Ročaj za nagib |
| 10 | Sprednje kolo | 22 | Gumb za nastavitev ročaja/ročaj za enoročno zlaganje |
| 11 | Nakupovalna košara | 23 | Sekundarni zaklep |
| 12 | Gumb za sprostitev sedeža | | |



Dodatna oprema (Morda ni priložena)

- 1 Adapter (pri določenih modelih)
- 2 Dežno pregrinjalo (pri določenih modelih)
- 3 Žep ročne košare
- 4 Ročna košara (pri določenih modelih)

Dodatna oprema je na prodaj ločeno ali ni na voljo v vseh regijah.



OPOZORILO

- ! Vedno uporabljajte varnostne pasove.
- ! Pred uporabo se prepričajte, ali so vse zaklepne naprave aktivirane.
- ! Otrok se z izdelkom ne sme igrati.
- ! Pred uporabo preverite, ali so ohišje otroškega vozička, sedež oziroma priključne naprave za avtosedež pravilno aktivirani.
- ! Izdelek mora sestaviti odrasla oseba.
- ! Otroški voziček lahko uporablja le en otrok naenkrat. Otroški voziček je namenjen otrokom od rojstva do 15 kg v načinu, ko je otrok obrnjen v nasprotni smeri vožnje, primeren pa je za uporabo od rojstva do 22 kg ali 4 let, kar pride prej, in sicer v načinu, ko je otrok obrnjen v smeri vožnje.
- ! Če otroški voziček v načinu usmerjenosti nazaj uporabljate za otroke, težje od 15 kg, v načinu usmerjenosti naprej pa za otroke, težje od 22 kg, to povzroči pretirano obrabo in obremenitev vozička.
- ! Da preprečite nevarno in nestabilno stanje, je največja dovoljena obremenitev nakupovalne košare 10 kg.
- ! Otroka nikoli ne pustite brez nadzora.
- ! Nikoli ne odlagajte torbic, nakupovalnih vrečk, paketov ali dodatkov na ročaj ali strehico.
- ! Dodatne opreme, ki je ni odobril proizvajalec, ni dovoljeno uporabljati.
- ! Uporabljajte le nadomestne dele, ki jih dobavlja oziroma priporoča proizvajalec.
- ! Med odpiranjem in zlaganjem tega izdelka se prepričajte, da v bližini ni otroka, in tako preprečite telesne poškodbe.
- ! Izdelek ni primeren za uporabo pri teku ali rolanju.
- ! Pri vozičku, namenjenemu za uporabo od rojstva, priporočamo uporabo najbolj ležečega položaja za novorojenčke.

- ! Pri nameščanju in jemanju otrok iz vozička aktivirajte parkirno napravo.
- ! Pri uporabi avtosedežev skupaj s podvozjem upoštevajte, da ta voziček ne nadomešča zibelke ali postelje. V času spanja odložite otroka v primerno košaro otroškega vozička, zibelko ali posteljo.
- ! Prenosne posteljice ne uporabljajte, ko otrok že zna sedeti sam, se prekucniti ali se potiskati po rokah in nogah. Največja teža otroka: 9 kg.
- ! Ne uporabljajte dodatne vzmetnice, razen če to priporoča proizvajalec.
- ! Kakršno koli breme, pritrjeno na ročaj in/ali hrbtni del naslonjala in/ali na stranska dela vozička, bo vplivalo na stabilnost vozička.
- ! Največja teža žepa za shranjevanje na hrbtni strani naslona je 0,45 kg (1lb).
- ! Največja obremenitev ročne košare je 10 kg.

Sestavljanje otroškega vozička

(Glejte slike na straneh 1-16.)

Pred sestavljanjem in uporabo izdelka preberite vsa navodila v tem priročniku.

Odpiranje otroškega vozička

Glejte slike 1 - 4

Zaklep za shranjevanje ločite od držala za shranjevanje 1, nato dvignite ročaj navzgor 2 in 3. Slišen klik pomeni, da je otroški voziček popolnoma odprt.

! Pred nadaljnjo uporabo preverite, ali je voziček povsem razprt.

Sestavljanje in odstranjevanje sprednjega kolesa

Glejte slike 5 - 6

Sestavljanje in odstranjevanje zadnjega kolesa

Glejte slike 7 - 9

Povsem sestavljen otroški voziček je prikazan na sliki 10

Upravljanje otroškega vozička

Nastavitev naslonjala

Glejte sliko 11

Hrbtno naslonjalo lahko namestite v 4 kote nagiba.

Če želite naslonjalo dvigniti ali spustiti, zavrtite ročaj za nagib, ki se nahaja na hrbtni strani sedeža in naslonjalo potisnite navzdol. 11

! Kadar nastavljate kot nagiba naslonjala, ne pritisnite gumba za sprostitvev 11 - 3, ki se nahaja na sredini ročaja za nagib.

! Prepričajte se, da je naslonjalo ustrezno nameščeno za uporabo.

! Največja teža žepa za shranjevanje na hrbtni strani naslona je 0,45 kg.

Uporaba zaponke

glejte slike 12 - 13

Sprostitev zaponke

Pritisnite gumb, da se zaponka samodejno sprosti. 12

Zapenjanje zaponke

Zaponko trebušnega pasu poravnajte z ramensko zaponko 13 - 1 in ju uskladite s sredinsko zaponko, ki se nato samodejno zaklene 13 - 2. Slišen klik pomeni, da je zaponka povsem zaklenjena. 13 - 3

! Otroka vedno pripnite z varnostnim pasom, da preprečite resne telesne poškodbe zaradi padca ali zdrsa otroka iz vozička.

! Prepričajte se, da je otrok trdno pripet. Med otrokom in ramenskim varnostnim pasom je lahko prostora za približno debelino ene roke.

! Ramenskih pasov ne prekrizajte. V nasprotnem primeru bodo pasovi obremenili otrokov vrat.

Uporaba ramenskih in trebušnega varnostnega pasu

glejte slike 14 - 15

! Da otroka zaščitite pred padcem iz vozička, potem ko že sedi v njem preverite, ali sta ramenska in trebušni varnostni pas na ustrezni višini in ustrezno dolgi.

14 - 1 Sidro za ramenski pas A

14 - 2 Nastavljalik drsnika

Za večjega otroka uporabite zaponko ramenskega pasu in najvišje ramenske reže. Za manjšega otroka uporabite zaponko ramenskega pasu in najnižje ramenske reže.

Položaj ramenskega pasu z zaponko prilagodite tako, da je zaponke poravnana s stranjo, obrnjeno naprej. Povlecite ga skozi režo za ramenski pas od zadaj naprej 17. Ponovno ga povlecite skozi režo, ki je najbližje višini ramen otroka. 18

Uporabite nastavek za nastavitev zaponke, da spremenite dolžino pasu. 19 - 1

Pritisnite gumb 19 - 2, medtem ko povlečete trebušni pas do primerne dolžine. 19 - 3

Sestavljanje in odstranjevanje naslonjala za roke

glejte slike 20 - 22

Nastavitev podpore za meča

glejte slike 23 - 24

Podpore za meča je mogoče namestiti v 2 položaja.

Če želite znižati podporo za meča, nastavitvena gumba na obeh straneh podpore za meča 23 - 1 in podporo za meča zavrtite navzdol. 23 - 2

Če želite dvigniti podporo za meča, jo potisnite navzgor. Slišen klik pomeni, da je podpora povsem zaklenjena.

Uporaba zaklepa sprednjih vrtljivih koles

Glejte sliko 25

Zaklenjeno ali odklenjeno stanje sprednjega kolesa 25.

Nasvet Na neravnih površinah priporočamo uporabo zaklepa vrtljivih koles.

Uporaba zavore

glejte slike 26 - 27

Če želite kolesa zakleniti, pritisnite vzvod zavore navzdol. Indikator bo postal rdeč. 26

Če želite kolesa sprostiti, ponovno pritisnite vzvod zavore navzdol. Indikator bo postal zelen. 27

Nasvet Kadar se otroški voziček ne premika, vedno aktivirajte parkirno zavoro.

Uporaba strehice

glejte slike 28 - 31

Strehica je lahko odprta ali zaprta, kar pomeni, da jo povlecite naprej ali nazaj. 28

Strehica je lahko popolnoma odprta, da vašega otroka povsem zaščiti pred soncem. Enostavno odprite zadrgo 29 in strehico povlecite naprej.

Na strehici se nahaja okno, skozi katerega lahko opazujete otroka. 30

Strehico je mogoče odstraniti, kot je prikazano na sliki 31

Nastavitev ročaja

Glejte sliko 32

Ročaj je mogoče namestiti v 5 položaje.

Nastavitev višine sedeža

Glejte sliko 33

Sedež ima 3 položaje.

Pritisnite gumba za nastavitev višine sedeža in povlecite navzgor, da zvišate, nato pa potisnite navzdol, da znižate višino sedeža. 33

Zamenjava sedeža

glejte slike 34 - 41

Sedež je mogoče zamenjati, tako da se otrok imama gledata.

Potisnite gumba za sprostitvev sedeža, medtem ko dvigate sedež. Sedež obrnite v nasprotno smer in ga vstavite v nastavka za sedež.

Oba nastavka za sedež morata biti vodoravna, kot je prikazano na sliki 34. Če pride do situacije, prikazane na slikah 35 in 36, pritisnite gumba za nastavitev višine sedeža in povlecite navzgor ali pa potisnite navzdol, da prilagodite višino sedeža, da zagotovite, da sta oba nastavka v isti višini. 35

Uporaba prevlek za ramenska pasova in mednožni varnostni pas

Glejte sliko

Prevleko za ramenski pas ali prevleko za mednožni pas lahko odstranite z mreže.

Za namestitev prevleke za ramenski pas in prevleke za mednožni pas postopajte v obratnem vrstnem redu.

Zlaganje otroškega vozička

Glejte slike -

! Preden voziček zložite, zložite strehico.

! Za zlaganje sedeža se uporablja gumb na sredini ročaja za nagib. - 1

! Zloženi voziček lahko stoji, razen ko je ročaj v najvišjem položaju.

! Ohišja ne zlagajte, ko je sprednje vrtljivo kolo zaklenjeno.

! Zaklep za shranjevanje se bo samodejno zaskočil na držalo za shranjevanje. Takrat je otroški voziček popolnoma zložen in zaklenjen. in

Uporaba možnosti sedenja

Glejte slike -

Otroški voziček je mogoče uporabljati v dvojnem ali enojnem načinu. Kadar otroški voziček uporabljate s sedežem (Dodatni Sedež Versiti), ročno košaro, prenosno posteljnico Joie (ramble, ramble xl in calm) ali zadrževalnim sistemom za dojenčka (i-Sung 2, i-Gemm 3, i-Jemini, sprint in i-Level Pro), glejte naslednja navodila.

! Pri vseh modelih NI vključena vsa dodatna oprema in vsi načini niso dovoljeni.

! Pri uporabi dvojnega načina je treba zgornji del nastaviti v najvišji ali srednji položaj. Položaj zgornjega dela si oglejte na

! Enojni način uporabljajte le v kombinaciji z zgornjim nosilcem. Sedež, prenosna posteljica ali zadrževalni sistem za dojenčka namestite v srednji ali najnižji položaj, ročno košaro pa lahko namestite samo v najnižji položaj. in

! Okvirja otroškega vozička NE uporabljajte s sedežem, ročno košaro, prenosno posteljnico ali zadrževalnim sistemom za dojenčka kot je prikazano na sliki

Uporaba dodatne opreme

Dodatna oprema je na prodaj ločeno ali ni na voljo v vseh regijah.

Uporaba z ročno košaro

Glejte slike -

Pri uporabi z ročno košaro upoštevajte naslednja navodila.

! Preden pritrdite ročno košaro, odprite nosilec na obeh straneh.

! Vozička ne zlagajte, če je ročna košara še nameščena.

Uporaba z zadrževalnim sistemom za dojenčka na zgornjem nosilcu

Glejte slike -

Kadar otroški voziček uporabljate z zadrževalnim sistemom za dojenčka Joie, upoštevajte naslednja navodila.

! Črke so na enake črkam na plastičnem okvirju.

! Slišen »klik« pomeni, da je adapter popolnoma zaklenjen.

! Kot lupinice lahko prilagodite z našimi prilagodljivimi adapterji.

! Adapter ima 3 položaje. Izdelka ne uporabljajte, če je otrokova glava po pritrditvi sistema za zadrževanje otrok nižja od stopal.

! Vozička ne zlagajte, če je lupinica še nameščena.

! Če imate težave pri uporabi lupinice, glejte navodila za uporabo lupinice.

Uporaba s prenosno posteljnico na zgornjem nosilcu

Glejte slike -

Kadar otroški voziček uporabljate s prenosno posteljnico Joie, upoštevajte naslednja navodila.

! Slišen »klik« pomeni, da je adapter popolnoma zaklenjen.

! Izdelka ne uporabljajte, če je otrokova glava po pritrditvi prenosne posteljice nižja od stopal.

! Kadar uporabljate prenosno posteljnico, vedno uporabljate vzmetnico.

! Kadar je prenosna posteljica nameščena, otroškega vozička ne zlagajte.

! Če imate težave pri uporabi prenosne posteljice, glejte navodila za uporabo lupinice.

Uporaba z zadrževalnim sistemom za dojenčka in prenosno posteljnico na spodnjem nosilcu

Glejte slike -

Kadar otroški voziček uporabljate z zadrževalnim sistemom za dojenčka in prenosno posteljnico Joie, upoštevajte naslednja navodila.

! Pred uporabo na obeh straneh izvlecite spodnji nosilec.

! Spodnji nosilec je mogoče zložiti s pritiskom gumbov na obeh straneh.

! Črke na adapterjih so na enake črkam na plastičnem okvirju.

! Slišen »klik« pomeni, da je adapter popolnoma zaklenjen.

! Kot zadrževalnega sistema za dojenčke lahko prilagodite 3 z našimi prilagodljivimi adapterji.

! Izdelka ne uporabljajte, če je dojenčkova glava nižje od nog, potem ko namestite zadrževalni sistem za dojenčka ali prenosno posteljnico.

! Kadar uporabljate prenosno posteljnico, vedno uporabljate vzmetnico.

! Med nameščanjem zadrževalnega sistema za dojenčke ali prenosne posteljice otroškega vozička ne zlagajte.

! Če imate težave z uporabo zadrževalnega sistema za otroka in prenosne posteljice, glejte njuna priročnika z navodili.

Uporaba dežnega pregrinjala

Glejte sliko

Dežno pregrinjalo uporabite tako, da ga namestite čez sedež.

! Pri uporabi dežnega pregrinjala vedno preverite prezračevanje.

! Ko dežne prevleke ne uporabljate, jo očistite, posušite in nato zložite.

! Ne zlagajte vozička, če ste namestili dežno pregrinjalo.

! Ne nameščajte otroka v voziček z nameščenim dežnim pregrinjalom, kadar je vroče vreme.

Čiščenje in vzdrževanje

Glejte sliko

! Za čiščenje okvirja vozička uporabljajte samo gospodinjsko milo in toplo vodo. Ne uporabljajte belila ali detergenta. Za navodila glede čiščenja tekstilnih delov vozička glejte oznako za vzdrževanje.

! Snemljive mehke dele lahko strojno operete. Ne uporabljajte belila. Sedežne prevleke in notranjih podlog ne ožemajte z veliko silo z namenom, da bi se posušili. Lahko bi ostala zmečkana.

! Občasno voziček pregledajte za odvite vijake, obrabljene dele, strgan material ali šive. Po potrebi dele zamenjajte ali popravite. Plastične dele občasno obrišite z vlažno mehko krpo. Kovinske dele vedno obrišite do suhega, da preprečite rjavenje zaradi stika vozička z vodo.

! Pretirana izpostavljenost soncu ali vročini lahko povzroči bledenje posameznih delov tkanine in izgubo oblike.

! Če je voziček moker, odprite strehico in počakajte, da se povsem posuši, preden ga shranite.

! Če kolesa škripajo, uporabite lahko olje (npr. silikonsko olje proti rjavenju v spreju ali olje za šivalni stroj). Pomembno je, olje kanete v sklop osi in koles.

! Kadar otroški voziček uporabljate na plaži ali območjih, kjer je veliko prahu/peska, po uporabi voziček temeljito očistite, da odstranite pesek in sol iz mehanizmov in sklopov koles.

RU Вас приветствует компания Joie™!

Поздравляем — вы стали частью семьи Joie! Мы рады отправиться в путь вместе с вами и вашим малышом. Joie versiti — это высококачественная коляска, сертифицированная по европейскому стандарту безопасности EN 1888-2:2018+A1:2022. Коляска предназначена для детей с рождения и весом до 15 кг в режиме лицом против хода движения и с рождения и весом до 22 кг или возрастом до 4 лет (в зависимости от того, что наступит ранее) в режиме лицом по ходу движения. Внимательно прочтите настоящее руководство и выполняйте все рекомендации, чтобы обеспечить удобство в поездке и максимальную защиту ребенка.

ВАЖНО! ВНИМАТЕЛЬНО ПРОЧТИТЕ И СОХРАНИТЕ НА БУДУЩЕЕ.

Скачать руководства и ознакомиться с другой замечательной продукцией Joie можно на веб-сайте joiebaby.com.

Сведения о гарантии опубликованы на веб-сайте joiebaby.com

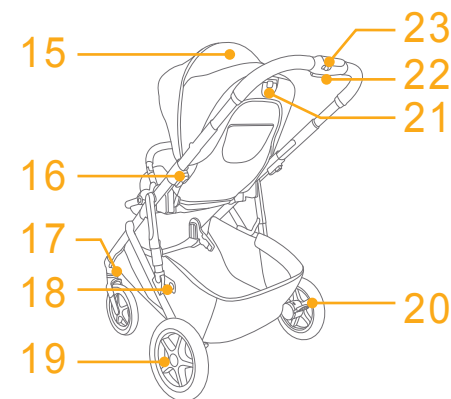
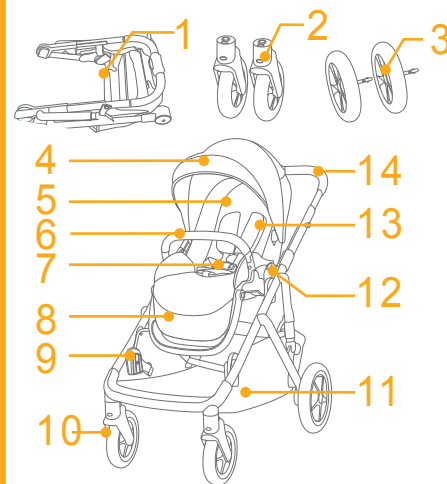
Чрезвычайные ситуации

В случае чрезвычайного происшествия или несчастного случая следует незамедлительно оказать ребенку первую помощь и обратиться к врачу.

Спецификация деталей

Перед сборкой данного изделия проверьте наличие всех деталей. В случае отсутствия любых деталей обратитесь в магазин, где было приобретено данное изделие. Для сборки не требуются инструменты.

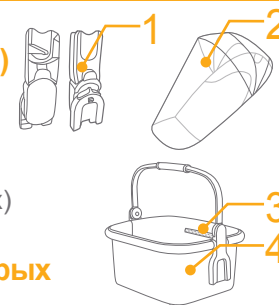
- | | | | |
|----|--------------------------|----|----------------------------------------------------------------|
| 1 | Рама коляски | 13 | Плечевые ремни |
| 2 | Передние колеса | 14 | Рукоятка |
| 3 | Задние колеса | 15 | Окно в козырьке |
| 4 | Козырек | 16 | Кнопки регулировки высоты сиденья |
| 5 | Подкладка сиденья | 17 | Фиксатор переднего колеса |
| 6 | Поручень | 18 | Фиксатор для хранения |
| 7 | Пряжка | 19 | Задние колеса |
| 8 | Опора для ног | 20 | Педаль тормоза |
| 9 | Нижнее крепление | 21 | Рукоятка регулировки наклона |
| 10 | Передние колеса | 22 | Кнопка регулировки рукоятки/ Рукоятка для сложения одной рукой |
| 11 | Вещевая корзина | 23 | Дополнительный фиксатор |
| 12 | Кнопка фиксатора сиденья | | |



Принадлежности

(могут не входить в комплект поставки)

- | | |
|---|------------------------------------------|
| 1 | Адаптер (в некоторых моделях) |
| 2 | Дождевик (в некоторых моделях) |
| 3 | Карман для переносной корзины |
| 4 | Переносная корзина (в некоторых моделях) |



Принадлежности могут продаваться отдельно или не предлагаться в некоторых регионах.

ВНИМАНИЕ

- ! Всегда используйте удерживающую систему.
- ! Прежде чем использовать коляску, убедитесь, что задействованы все фиксаторы.
- ! Не позволяйте ребенку играть с данным изделием.
- ! Перед использованием убедитесь, что все крепежные устройства на люльке с жестким дном, сиденье или автокресле задействованы надлежащим образом.
- ! Сборку должны осуществлять взрослые.
- ! В коляске допускается перевозить только одного ребенка. Коляска предназначена для детей с рождения и весом до 15 кг в режиме лицом против хода движения и с рождения и весом до 22 кг или возрастом до 4 лет (в зависимости от того, что наступит ранее) в режиме лицом по ходу движения.
- ! Перевозка в коляске ребенка весом более 15 кг в положении лицом против хода движения и более 22 кг в положении лицом по ходу движения приводит к чрезмерному износу и нагрузке на коляску.
- ! Во избежание опасного опрокидывания коляски не помещайте в вещевую корзину предметы весом более 10 кг.
- ! Категорически запрещается оставлять ребенка без присмотра.
- ! Запрещается размещать на рукоятке и козырьке кошельки, сумки, свертки и принадлежности.
- ! Не разрешается использовать принадлежности, не одобренные производителем.
- ! Допускается использовать только запасные части, поставляемые или рекомендованные производителем манежа.
- ! Во избежание причинения вреда здоровью ребенка не складывайте и не раскладываете коляску вблизи ребенка.
- ! Данное изделие не предназначено для бега или катания на роликах.
- ! Для новорожденных спинку коляски рекомендуется опустить в самое низкое положение.
- ! Перед тем как помещать ребенка в коляску или извлекать его из коляски, необходимо задействовать тормоза.
- ! Автолюлька, установленная на раму данной коляски, не заменяет люльку или кроватку для новорожденных. Чтобы уложить ребенка спать, его необходимо перенести в подходящую лежачую коляску, люльку или кровать.
- ! Переносная люлька не предназначена для детей, умеющих самостоятельно сидеть, переворачиваться и вставать на четвереньки. Максимальный вес ребенка: 9 кг.
- ! Использование дополнительных матрасов недопустимо, если это не рекомендовано производителем.
- ! Прикрепление любого груза к рукоятке, спинке или боковым частям коляски приведет к нарушению ее устойчивости.
- ! Максимальная нагрузка на карман для вещей, расположенный с обратной стороны спинки, составляет 0,45 кг.
- ! Максимальная нагрузка на переносную корзину составляет 10 кг.

Сборка коляски

(См. рисунки на стр. 1-16)

Перед сборкой и использованием данного изделия прочтите все инструкции в настоящем руководстве.

Раскладывание коляски

См. рисунки 1 - 4

Отсоедините фиксатор для хранения от защелки для хранения 1, затем поднимите рукоятку 2 и 3. При полном раскладывании коляски слышится характерный "щелчок".

! Перед использованием удостоверьтесь, что коляска полностью зафиксирована в разложенном состоянии.

Сборка и снятие передних колес

См. рисунки 5 - 6

Сборка и снятие задних колес

См. рисунки 7 - 9

Полностью собранная коляска показана на рисунке 10

Использование коляски

Регулировка положения спинки

см. рисунок 11

Спинку можно установить под 4 углами наклона.

Чтобы поднять или опустить спинку, поверните рукоятку регулировки наклона на задней стороне спинки и потяните спинку вниз. 11

! Регулируя угол наклона, не нажимайте на кнопку фиксатора 11 - 3 в центре рукоятки регулировки наклона.

! Установите подходящий для использования наклон спинки.

! Максимальная нагрузка на карман для вещей, расположенный с обратной стороны спинки, составляет 0,45 кг.

Использование пряжки

См. рисунки 12 - 13

Расстегивание пряжки

При нажатии на кнопку пряжка расстегивается автоматически. 12

Застегивание пряжки

Совместите пряжку на поясном ремне с пряжкой на плечевом ремне 13 - 1 и выровняйте их по центральной пряжке. Пряжка застегивается автоматически 13 - 2. При полной фиксации пряжки слышится характерный "щелчок". 13 - 3

! Во избежание причинения тяжкого вреда здоровью ребенка в результате падения или выскальзывания из коляски обязательно пристегивайте ребенка ремнем.

! Удостоверьтесь, что ремни плотно прилегают к телу ребенка. Расстояние между телом ребенка и плечевыми ремнями не должно превышать толщину ладони.

! Не перекрещивайте плечевые ремни. Это приведет к сдавливанию шеи ребенка.

Использование плечевых и поясных ремней

См. рисунки 14 - 15

! Во избежание выпадения ребенка из коляски, усадив его в коляску, удостоверьтесь, что плечевые и поясные ремни установлены на правильную высоту и имеют подходящую длину.

14 - 1 Анкерное крепление плечевых ремней

14 - 2 Регулятор длины ремня

Для ребенка большого роста используйте фиксаторы плечевых ремней и верхние прорези для ремней. Для ребенка небольшого роста используйте фиксаторы плечевых ремней и нижние прорези для ремней.

Для регулировки положения фиксатора плечевого ремня разверните его плашмя и торцом вперед. Проденьте фиксатор через прорезь для плечевого ремня сзади вперед 15. Снова проденьте его через прорезь, расположенную ближе всего к плечам ребенка. 15

С помощью регулятора длины отрегулируйте длину ремней. 15 - 1

Нажмите на кнопку 15 - 2 и одновременно вытяните поясной ремень на требуемую длину. 15 - 3

Сборка и снятие поручня

См. рисунки 20 - 22

Регулировка положения опоры для ног

См. рисунки 23 - 25

Опору для ног можно установить в 2 положения.

Чтобы опустить опору для ног, нажмите на регулировочные кнопки с обеих сторон опоры для ног 23 - 1 и опустите ее. 23 - 2

Чтобы поднять опору для ног, потяните ее вверх. Когда опора зафиксируется должным образом, прозвучит щелчок.

Использование фиксаторов передних колес

см. рисунок 26

Положение блокировки и снятия блокировки передних колес показано на рис. 26.

Совет Фиксаторы передних колес рекомендуется использовать на неровных поверхностях.

Использование тормоза

См. рисунки 26 - 27

Чтобы заблокировать колеса, нажмите ногой на педаль тормоза. Индикатор станет красным. 26

Чтобы разблокировать колеса, снова нажмите ногой на педаль тормоза. Индикатор станет зеленым. 27

Совет Всегда задействуйте тормоз, если не перемещаете коляску.

Использование козырька

См. рисунки 28 - 31

Козырек можно разложить, сложить, переместит вперед и переместить назад. 28

Козырек можно разложить полностью, чтобы максимально защитить ребенка от солнца. Для этого расстегните молнию 29 и потяните козырек вперед.

На козырьке предусмотрено окно, через которое можно наблюдать за ребенком. 30

Чтобы снять козырек, см. рисунки 31

Регулировка положения рукоятки

см. рисунок 32

Рукоятка имеет 5 положений.

Регулировка высоты сиденья

см. рисунок 33

Сиденье имеет 3 положения.

Нажмите на кнопки регулировки высоты сиденья и потяните сиденье вверх, чтобы увеличить высоту сиденья, а затем прижмите вниз, чтобы ее уменьшить. 33

Поворот сиденья

См. рисунки 34 - 41

Сиденье можно перевернуть так, чтобы ребенок находился лицом к матери.

Сдвиньте кнопки фиксации сиденья и поднимите сиденье. Поверните сиденье в обратном направлении и установите его на крепления сиденья.

Оба крепления сиденья должны располагаться ровно, как показано на рис. 35. В случаях, показанных на рис. 37 и 38, нажмите на кнопку регулировки высоты сиденья, поднимите его вверх и прижмите вниз, чтобы отрегулировать крепление сиденья и выровнять оба крепления сиденья. 35

Использование накладок для плечевых ремней и пахового ремня

см. рисунок 42

Накладки наплечных и поясных ремней можно снять.

Чтобы надеть накладки на плечевые и поясные ремни выполните операции в обратном порядке.

Складывание коляски

См. рисунки 43 - 45

! Перед складыванием коляски необходимо сложить козырек.

! Кнопка, расположенная в центре рукоятки регулировки наклона, служит для складывания сиденья. 43 - 1

! Сложенная коляска может стоять вертикально, если рукоятка не находится в верхнем положении.

! Не складывайте раму, если заблокирован фиксатор передних колес.

! Фиксатор для хранения автоматически застегнется на защелку для хранения. После этого коляска будет полностью сложена и зафиксирована. 47 и 48

Варианты использования сиденья

См. рисунки 50 - 53

Коляску можно использовать в режимах "одиночный" и "двойной". При использовании рамы коляски с сиденьем, переносной корзиной (Сиденье для второго ребенка Versiti®), переносной люлькой Joie® (ramble, gamble xl и calm) или автолюлькой Joie® (i-Sung 2, i-Gemm 3, i-Jemini, sprint и i-Level Pro) следуйте приведенным ниже инструкциям.

! НЕ все принадлежности входят в комплект поставки для некоторых моделей, и не все режимы допустимы.

! При использовании в режиме «двойной» верхнее крепление должно быть установлено в крайнее верхнее или в среднее положение. Позиции для верхнего крепления см. на 50

! В одиночном режиме коляска используется только с верхним креплением. Сиденье, переносная люлька и автолюлька должны устанавливаться в среднее или нижнее положение, а переносную корзину разрешено использовать только в нижнем положении. 51 и 52

! ЗАПРЕЩАЕТСЯ использовать раму коляски с сиденьем, переносной корзиной, переносной люлькой и автолюлькой, как показано на рис. 53

Использование принадлежностей

Принадлежности могут продаваться отдельно или не предлагаться в некоторых регионах.

Использование с переносной корзиной

См. рисунки 54 - 56

При использовании с переносной корзиной следуйте приведенным ниже инструкциям.

! Перед установкой переносной корзины раскройте крепления с обеих сторон. 54

! Не складывайте коляску с установленной переносной корзиной.

Использование с автолюлькой на верхнем креплении

См. рисунки 57 - 59

При использовании коляски с автолюлькой Joie® следуйте приведенным ниже инструкциям.

! Буквы на адаптерах стойки соответствуют буквам на пластмассовой раме. 57

! При полной фиксации адаптеров слышится характерный "щелчок".

! Угол наклона автолюльки настраивается с помощью регулируемых адаптеров. 58

! Адаптер имеет 3 положения. Не используйте данное изделие, если после установки автолюльки ноги ребенка расположены выше его головы.

! Не складывайте коляску с установленной удерживающей системой для новорожденных.

! В случае возникновения любых проблем при использовании автолюльки, ознакомьтесь с руководством по эксплуатации этой системы.

Использование с переносной люлькой Joie на верхнем креплении

См. рисунки 57 - 59

При использовании коляски с переносной люлькой Joie® следуйте приведенным ниже инструкциям.

! При полной фиксации адаптеров слышится характерный "щелчок".

! Не используйте данное изделие, если после установки переносной люльки ноги ребенка расположены выше его головы.

! Переносную люльку можно использовать только с матрасом.

! Не складывайте коляску с установленной переносной люлькой.

! В случае возникновения любых проблем при использовании переносной люльки ознакомьтесь с руководством по эксплуатации этой системы.

Использование с автолюлькой и переносной люлькой на нижнем креплении

См. рисунки 70 - 73

При использовании коляски с автолюлькой и переносной люлькой Joie® следуйте приведенным ниже инструкциям.

! Перед использованием вытащите нижнее крепление с обеих сторон. 70

! Нижнее крепление можно сложить, нажав на кнопки с обеих сторон. 71

! Буквы на адаптерах стойки соответствуют буквам на пластмассовой раме. 72

! При полной фиксации адаптеров слышится характерный "щелчок".

! Угол наклона автолюльки настраивается в 3 позициях с помощью регулируемых адаптеров. 73

! Нельзя использовать изделие, если после установки автолюльки или переносной люльки голова ребенка находится ниже ног.

! Переносную люльку можно использовать только с матрасом.

! Не складывайте коляску с установленной автолюлькой или переносной люлькой.

! В случае возникновения любых проблем при использовании автолюльки и переносной люльки ознакомьтесь с руководством по эксплуатации этих систем.

Использование дождевика

см. рисунок 74

Для сборки дождевика накройте им сиденье.

! При использовании дождевика обязательно проверяйте его вентиляцию.

! Неиспользуемый дождевик необходимо очистить, высушить и сложить.

! Не складывайте коляску, если на нее установлен дождевик.

! Не помещайте ребенка в коляску с дождевиком в жаркую погоду.

Очистка и уход за изделием

см. рисунок 76

! Для очистки рамы коляски разрешается использовать только хозяйственное мыло и теплую воду. Запрещается использование отбеливателей и моющих средств. Инструкции по очистке тканевых деталей коляски приведены на памятке по уходу.

! Съемную тканевую обивку допускается стирать в стиральной машине. Не отбеливать! Не скручивайте чехол и внутреннюю обивку сиденья при сушке. От этого на чехле и внутренней обивке сиденья могут появиться складки.

! Время от времени проверяйте коляску на наличие плохо закрепленных винтов, признаков износа деталей, повреждений материала и швов. Заменяйте или ремонтируйте детали по необходимости. Периодически протирайте пластиковые детали мягкой влажной тканью. В случае контакта коляски с водой обязательно вытирайте металлические детали насухо во избежание появления ржавчины.

! Чрезмерное нахождение на солнце или при повышенной температуре приводит к выцветанию или деформации деталей.

! Если коляска намочена, откройте козырек и хорошо просушите перед тем, как поместить коляску на хранение.

! Если скрипят колеса, смажьте их легким маслом (например силиконовой смазкой-аэрозолем, антикоррозийным маслом или маслом для швейных машин). Важно, чтобы при этом масло попало на ось и систему колеса. 76

! При использовании коляски на пляже или в местах с высоким содержанием пыли/ песка полностью очищайте ее механизмы и колеса от песка и соли.

DA Velkommen til Joie™

Tillykke og velkommen til Joie-familien! Vi er så glade for at være en del af din rejse med den lille. Når du er på tur med Joie versiti, bruger du en certificeret klapvogn af høj kvalitet som er godkendt efter de europæiske sikkerhedsstandarder EN 1888-2:2018+A1:2022. Klapvognen er beregnet til børn fra 0-15 kg i bagudvendt position, og fra 0-22 kg eller 4 år, alt efter hvad der kommer først i fremadvendt position. Læs denne vejledning omhyggeligt og følg alle trinene så du sikrer, at dit barn har det behageligt og er ordentligt beskyttet under turen.

VIGTIGT - LÆS OMHYGGELIGT OG BEHOLD TIL SENERE REFERENCE.

Besøg os på joiebaby.com, hvor du kan downloade vejledninger og se flere spændende Joie-produkter!

Besøg vores websted på joiebaby.com for at få oplysninger om garanti

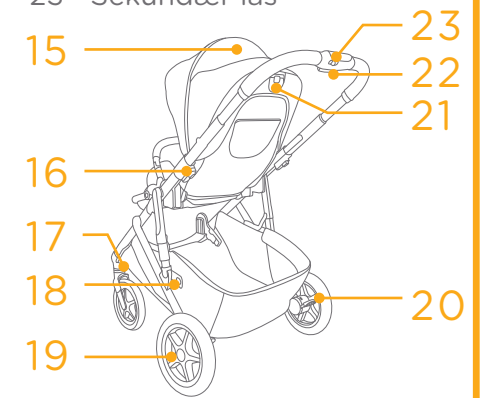
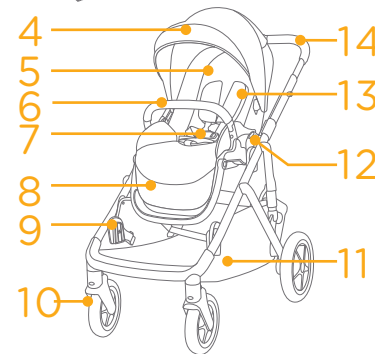
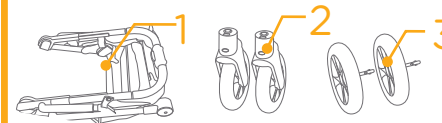
Nødsituation

I tilfælde af en nødsituation eller ulykke er det vigtigst, at dit barn straks får førstehjælp og lægebehandling.

Liste over dele

Kontroller, at alle delene følger med, inden du begynder at samle produktet. Hvis der mangler nogen dele, bedes du venligst kontakte din lokale forhandler. Der skal ikke bruges værktøj til at samle produktet.

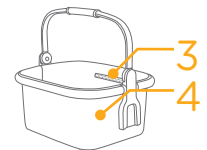
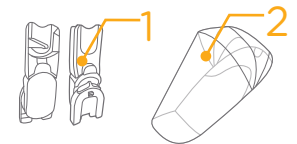
- | | | | |
|----|-----------------------------|----|----------------------------------------------------|
| 1 | Klapvognsstel | 13 | Skuldersele |
| 2 | Forhjul | 14 | Håndtag |
| 3 | Baghjul | 15 | Kalechevindue |
| 4 | Kaleche | 16 | Knapper til justering af sædets højde |
| 5 | Sædepude | 17 | Hjulslås |
| 6 | Armbøjle | 18 | Opbevaringslås |
| 7 | Spænde | 19 | Baghjul |
| 8 | Lægstøtte | 20 | Bremsegreb |
| 9 | Nedre monteringsbeslag | 21 | Håndtag til at læne sædet tilbage |
| 10 | Forhjul | 22 | Justeringsknap til håndtag/
Enhåndsfoldehåndtag |
| 11 | Opbevaringskurv | 23 | Sekundær lås |
| 12 | Knap til frigivelse af sæde | | |



Tilbehør

(medfølger muligvis ikke)

- | | |
|---|----------------------------------------|
| 1 | Adapter (på bestemte modeller) |
| 2 | Regnslag (på bestemte modeller) |
| 3 | Lomme på håndholdt kurv |
| 4 | Håndholdt bakke (på bestemte modeller) |



Tilbehør sælges muligvis separat og er muligvis ikke tilgængeligt i dit område.

ADVARSEL

- ! Brug altid fastspændingssystemet.
- ! Sørg for, at alle låsene er låst inden brug.
- ! Lad ikke barnet lege med dette produktet.
- ! Sørg altid for, at fastgørelsesanordningerne på barnevogne, sædeenheder og bilsæder er spændt ordentligt før brug.
- ! Kræver samling af en voksen.
- ! Brug kun klapvognen med ét barn ad gangen. Klapvognen er beregnet til børn fra 0-15 kg i bagudvendt position, og fra 0-22 kg eller 4 år, alt efter hvad der kommer først i fremadvendt position.
- ! Brug af klapvognen til et barn, der vejer over 15 kg i bagudvendt position eller over 22 kg i fremadvendt position gør, at den nedslides hurtigt og den overbelastes.
- ! For at forhindre en farlig, ustabil tilstand, må du ikke anbringe mere end 10kg i opbevaringskurven.
- ! Efterlad aldrig barnet uden opsyn.
- ! Anbring aldrig punge, indkøbsposer, pakker eller tilbehør på håndtaget eller kalechen.
- ! Brug ikke tilbehør, der ikke er godkendt af producenten.
- ! Brug kun reservedele, som leveres eller er godkendt af fabrikanten.
- ! For at undgå skader, skal børn altid holdes væk fra produktet, når du folder det ud eller sammen.
- ! Dette produkt er ikke beregnet til brug under løb eller skating.
- ! Det anbefales at bruge en særligt egnet skråstol i tilbagelænet tilstand til babyer.
- ! Parkeringsbremsen skal slås til, når barnet lægges i eller tages ud.

- ! Dette produkt kan ikke, sammen med autostolen, erstatte en barneseng eller en seng til spædbørn. Hvis barnet skal sove, bør du anbringe det i en passende barnevognskasse, barneseng eller seng.
- ! Barnesengen må ikke bruges, så snart barnet er i stand til at sidde selv, rulle rundt og trykke sig selv op på hænder og knæ. Barnets maksimale vægt: 9 kg.
- ! Der må ikke tilføjes nogen ekstra madrasser, medmindre fabrikanten anbefaler det.
- ! Enhver vægt, der anbringes på håndtaget og/eller bag på ryglænet og/eller på siderne af klapvognen vil påvirke stabiliteten.
- ! Opbevaringslommen på bagsiden af ryglænet må højst holde 0,45 kg (1 pund).
- ! Den håndholdte kurv må højst holde 10 kg.

Sådan samles klapvognen

(Se venligst billederne på 1-16)

Læs alle instruktionerne i denne vejledning, inden du samler og tager produktet i brug.

Åbn klapvognen

se billederne 1 - 4

Adskil opbevaringslåse fra opbevaringsbeslaget 1, træk derefter håndtaget opad 2 & 3, hvorefter der lyder et klik, hvilket betyder at klapvognen er foldet helt ud.

! Kontroller at klapvognen er foldet helt ud, før du går videre.

Montering og afmontering af forhjulet

se billederne 5 - 6

Montering og afmontering af baghjulet

se billederne 7 - 9

Den færdigsamlede klapvogn er vist som 10

Sådan bruges klapvognen

Justering af ryglænet

se billede 11

Ryglænet har 4 lænevinkler.

For at hæve og sænke ryglænet roteres håndtaget til at læne sædet tilbage bag på sædet, og ryglænet lægges tilbage. 11

! Undgå, at trykke på frigørelsesknappen 11 - 3 midt på håndtaget til tilbagelæning, når ryglænet justeres.

! Indstil ryglænet i en passende vinkel.

! Opbevaringslommen på bagsiden af ryglænet må højst holde 0,45 kg.

Brug af spændet

se billederne 12 - 13

Spænd spændet op

Tryk på knappen, så spændet frigøres automatisk. 12

Lås spændet

Sæt spændet på taljeselen sammen med skulderspændet, 13 - 1 og sæt dem sammen med midterspændet, så spændet kan låses automatisk 13 - 2. Et "klik" betyder, at spændet er spændt fast. 13 - 3

! For at undgå, at barnet kommer til skade ved at falde eller glide ud, skal du altid bruge selen til barnet.

! Sørg for at dit barn sidder godt fastspændt. Afstanden mellem barnet og skulderselerne skal være ca. som tykkelsen af en hånd.

! Kryds ikke skulderremmene. Dette vil medføre pres på barnets hals.

Brug af skulder- og taljeseler

se billederne 14 - 15

! Når barnet sidder i autostolen, skal du sørge for, at skulder- og taljeselerne er i den korrekte højde og længde, så barnet ikke kan falde ud.

14 - 1 Fastgørelsespunkt til skuldersele

14 - 2 Glidejustering

Større børn skal bruge fastgørelsespunkt til skuldersele og den højeste skulderplacering. Mindre børn skal bruge fastgørelsespunkt til skuldersele og lavere skulderplacering.

Hvis du vil justere placeringen af fastgørelsespunktet for skuldersele, skal du vende spændet, så det ligger plant fremad. Stik det igennem skulderselen bagfra 17. Før den igennem det hul, der er tættest på barnets skulderhøjde. 13

Brug glidejusteringen til at ændre selens længde. 15 - 1

Tryk på knappen 15 - 2, mens taljeselen trækkes til den korrekt længde. 15 - 3

Monter og afmonter armstøtte

se billederne 20 - 22

Justering af lægstøtten

se billederne 23 - 24

Lægstøtten har 2 indstillinger.

For støtte af læggen trykkes på justeringsknapperne på begge sider af lægstøtten 23 - 1, og drej lægstøtten nedad. 23 - 2

For at hæve lægstøtten skubbes den opad. Der lyder et "klik", når den er låst på plads.

Brug af forhjulslåsen

se billede 25

Forhjulet er låst eller låst op som vist i 25.

Tip Det anbefales at bruge hjullåsen på ujævne overflader.

Brug af bremsen

se billederne 26 - 27

For at låse hjulene, skal du træde på bremsepedalen, hvorefter indikatoren bliver rød. 26

For at frigøre hjulene, skal du træde på bremsepedalen igen, hvorefter indikatoren bliver grøn. 27

Tip Lås altid hjulene, når du ikke kører med klapvognen.

Brug af kalechen

se billederne 28 - 31

Kalechen kan åbnes og foldes sammen, ved at trække den frem og tilbage. 28

Kalechen kan åbnes helt for at beskytte dit barn mod solen, bare åbn lynlåsen, 29 og træk kalechen fremad.

Der er et vindue på kalechen, hvorigennem du kan se din baby. 30

Kalechen kan tages af, som vist 31

Justering af håndtaget

se billede 32

Håndtaget har 5 positioner.

Justering af sædehøjde

se billede 33

Sædet har 3 positioner.

Tryk på knapperne til justering af sædehøjde, og træk sædet op. Tryk sædet ned for, at sænke sædehøjden. 33

Skift af sæde

se billederne 34 - 41

Sædet kan vendes om, så mor og barn kan være ansigt til ansigt.

Tryk frigørelsesknapperne til sædet til siden og løft sædet. Drej sædet i om, og sæt sædet i sædebeslagene.

Begge sædebeslag skal være plan, som vist i 34. Hvis situationerne, der er vist i 37 & 38 opstår, skal du trykke på knappen til justering af sædets højde. Træk sædet op eller tryk det ned for, at justere sædehøjden, så du er sikker på at begge sædebeslag er plan. 35

Brug af overdækning til skulderselerne og skridtselen

se billede 

Beslagene til skulderselerne eller skridtselen kan tages af selen.

Beslaget sættes på skulderselerne eller skridtselen, ved at følge ovenstående trin i omvendt rækkefølge.

Sådan foldes klapvognen sammen

se billederne  - 

! Kalechen skal foldes sammen, inden klapvognen foldes sammen.

! Knappen midt på håndtaget til tilbagelæning bruges til at folde sædet.  - 

! Den foldede klapvogn kan stå op, undtagen hvis håndtaget er i den højeste position.

! Fold ikke stellet, når forhjulets drejelås er låst.

! Opbevaringslåsen låses automatisk fast til opbevaringsholderen, hvorefter klapvognen foldes og låses helt sammen.  & 

Siddestillinger


se billederne  - 

Klapvognen kan bruges med to sæder og med et sæde. Ved brug af klapvognsstellet med sædet (Versiti Søkendesæde), den håndholdte kurv, en Joie barneseng (ramble, ramble xl og calmi) eller en Joie autostol (i-Sung 2, i-Gemm 3, i-Jemini, sprint og i-Level Pro), bedes du se følgende instruktioner.

! Det er IKKE alt tilbehør, der følger med til nogle modeller, og det er ikke alt tilbehør, der kan bruges med alle modellerne.

! Hvis produktet bruges på dobbelt-funktionen, skal det øvre monteringsbeslag sættes helt foroven eller i midten. Du kan se, hvor det øvre monteringsbeslag skal sættes i 

! Hvis klapvognen bruges med ét sæde, skal den sættes på det øvre monteringsbeslag. Sædet, barnesengen og autostolen skal sættes på den midterste eller laveste indstilling. Den håndholdte kurv skal sættes på den laveste indstilling.  & 

! Klapvognsstellet må IKKE bruges med sædet, den håndholdte kurv, bæresengen eller autostolen, vist som i 

Brug af tilbehør

Tilbehør sælges muligvis separat og er muligvis ikke tilgængeligt i dit område.

Brug med den håndholdte kurv

se billederne  - 

Når produktet bruges med den håndholdte kurv, bedes du venligst se følgende instruktioner.

! Åbn monteringsbeslaget på begge sider, før du sætter den håndholdte kurv på. 

! Klapvognen må ikke foldes sammen, når den håndholdte kurv stadig sidder på klapvognen.


Brug med en autostol på det øvre monteringsbeslag

se billederne  - 

Hvis produktet bruges med en Joie autostol, bedes du venligst følge følgende vejledninger.

! Bogstaverne på adapterne er ens med dem på plastikdelen på stellet. 

! Der lyder et klik, når adapterne låses.

! Autostolens vinkel kan justeres med vores justerbare adaptere. 

! Adapterne har 3 indstillinger. Brug ikke produktet, hvis babyens hoved er lavere end fødderne, når autostolen er sat på.

! Klapvognen må ikke foldes sammen, når autostolen stadig er i klapvognen.

! Hvis du har spørgsmål om brug af autostolen, bedes du venligst se brugervejledningen til denne.

Brug med en Joie bæreseng det øvre monteringsbeslag

se billederne  - 

Hvis produktet bruges med en Joie bæresengen, skal du se følgende vejledninger.

! Der lyder et klik, når adapterne låses.

! Brug ikke produktet, hvis babyens hoved er lavere end fødderne, når bæresengen er sat på.

! Brug altid madrassen når bæresengen anvendes.

! Fold venligst ikke klapvognen sammen, når du monterer bæresengen.

! Hvis du har spørgsmål om brug af bæreseng, bedes du venligst se brugervejledningen til denne.


Brug med en autostol og en barneseng på det nedre monteringsbeslag

se billederne  - 

Hvis produktet bruges med en Joie autostol og en bæreseng, bedes du venligst følge følgende vejledninger.

! Træk det nedre monteringsbeslag ud på begge sider før brug. 

! Det nedre monteringsbeslag kan foldes sammen, ved at trykke på knapperne på begge sider. 

! Bogstaverne, der står på adapterne er ens med dem på plastikdelen på stellet. 

! Der lyder et klik, når adapterne låses.

! Autostolens vinkel kan justeres til 3 indstillinger med vores justerbare adaptere. 

! Produktet må ikke bruges, hvis babyens hoved er lavere end fødderne, når autostolen eller bæresengen er sat på.

! Brug altid madrassen når bæresengen anvendes.

! Klapvognen må ikke foldes sammen, når du sætter autostolen eller bæresengen i.

! Hvis du har spørgsmål om brug af autostolen eller babylyften, bedes du venligst se brugervejledningen til disse.

Brug af regnslaget

se billede 

Regnslaget sættes på ved at trække det over sædet.

! Når regnslaget bruges, skal du altid sørge for at der er ventilation.

! Inden regnslaget pakkes sammen, skal du sørge for at det er blevet rengjort og er ordentligt tørt.

! Fold ikke klapvognen sammen, når regnslaget sidder på.

! Undgå, at barnet sidder i klapvognen med regnslaget på i varmt vejr.

Rengøring og vedligeholdelse

se billede 

! Stellet må kun rengøres med almindeligt sæbevand. Det må ikke rengøres med blegemiddel eller rengøringsmidler. Se venligst rengøringsinstruktionerne på stofdelene på klapvognen.

! Aftagelige bløde varer kan vaskes med maskine. Den må ikke vaskes med blegemiddel. Undgå at vride sædebetræk og puder for at tørre med stor kraft. Det kan give delene folder.

! Kontroller regelmæssigt klapvognen for løse skruer, slidte dele, ødelagt stof eller syninger. Udskift eller reparer delene efter behov. Tør regelmæssigt plastikdelene af med en fugtig klud. Tør altid metaldelene af, så de ikke rustner, hvis klapvognen er kommet i kontakt med vand.

! Hvis klapvognen udsættes for sol eller varme i længere tid, kan nogle af delene blive slidt eller skæve.

! Hvis klapvognen bliver våd, skal du åbne kalechen, og lad den tørre grundigt inden den gemmes væk.

! Hvis hjulene piber, skal de smøres med en let olie (fx silikonespray, rustfrit olie eller symaskineolie). Det er vigtigt at få olien ind i akslen og hjulsamlingen. 

! Hvis klapstolen bruges på en strand eller andre sandede/støvede miljøer, skal den rengøres grundigt efter brug. Fjern alt sand og salt på de mekaniske dele og på hjulsamlingerne.

HU Üdvözli a Joie™

Gratulálunk, hogy Ön is a Joie család tagja lett! Nagyon örülünk, hogy részesei lehetünk a kisgyermek életútjának. A Joie versiti babakocsival való utazás során Ön egy kiváló minőségű, teljes mértékben hitelesített babakocsit használ, amely az EN 1888-2:2018+A1:2022 európai biztonsági szabványok szerint engedélyezett. A gyerekkocsi születestől 15 kg-ig súlyu gyermekek számára készült hatranező modban es születestől 22 kg súlyig vagy 4 éves korig, amelyik hamarabb bekövetkezik, előrevező modban. Kérjük, figyelmesen olvassa el ezt a kézikönyvet, és kövesse a lépéseket, hogy kényelmes utazást és a legjobb védelmet biztosítsa a gyermekének.

FONTOS - OLVASSA EL FIGYELMESEN, ÉS ŐRIZZE MEG A KÉSŐBBI HASZNÁLATRA.

Látogasson el a joiebaby.com weboldalra, ahol letöltheti a kézikönyveket, és további izgalmas Joie termékeket talál!

Garanciális információkért kérjük, látogasson el weboldalunkra a joiebaby.com oldalon.

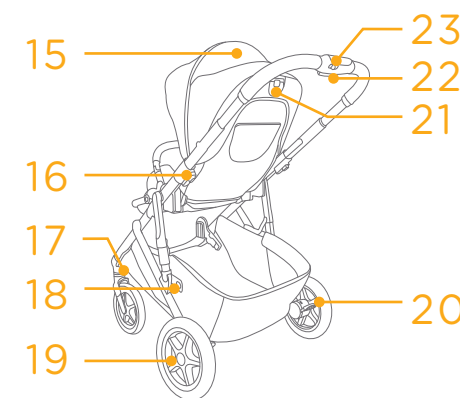
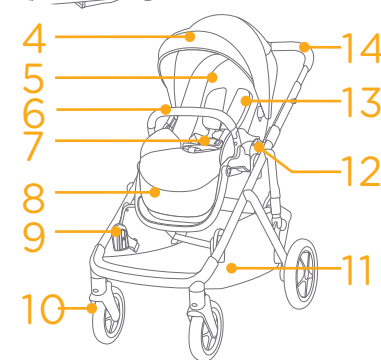
Vészhelyzet

Vészhelyzet vagy baleset esetén a legfontosabb, hogy gyermekét azonnal elsősegélyben és orvosi ellátásban részesítse.

Alkatrészek listája

Győződjön meg róla, hogy minden alkatrész rendelkezésre áll az összeszerelés előtt. Ha bármelyik alkatrész hiányzik, kérjük, forduljon a helyi kiskereskedőhöz. Az összeszereléshez nincs szükség szerszámokra.

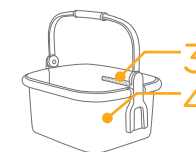
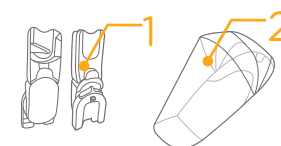
- | | | | |
|----|-----------------|----|-------------------------------------------------------------|
| 1 | Babakocsiváz | 13 | Vállhámszija |
| 2 | Első kerekek | 14 | Fogantyú |
| 3 | Hátsó kerekek | 15 | Tetőablak |
| 4 | Tető | 16 | Ülésmagasság-állító gomb |
| 5 | Üléspárna | 17 | Bolygózárs |
| 6 | Karfa | 18 | Tárolórekesz |
| 7 | Csat | 19 | Hátsó kerék |
| 8 | Lábtartó | 20 | Fékkar |
| 9 | Alsó rögzítő | 21 | Hátradöntő fogantyú |
| 10 | Első kerék | 22 | Fogantyúállító gomb/
Fogantyú egykezes
összehajtáshoz |
| 11 | Tárolókosár | 23 | Másodlagos zár |
| 12 | Üléskioldó gomb | | |



Kiegészítők

(Nem biztos, hogy tartozékok)

- | | |
|---|----------------------------------|
| 1 | Adapter (bizonyos modelleken) |
| 2 | Esővédő (bizonyos modelleken) |
| 3 | Kézi kosár zsebe |
| 4 | Kézi kosár (bizonyos modelleken) |



A kiegészítőket vagy külön árulják, vagy lehet, hogy nem érhetőek el a régiótól függően.

FIGYELEM

- ! Mindig használja az övrendszert.
- ! Használat előtt győződjön meg arról, hogy minden záró eszköz be van kapcsolva.
- ! Ne hagyja, hogy a gyermek játsszon ezzel a termékkel.
- ! Használat előtt ellenőrizze, hogy a babakocsi szerkezete és az ülés vagy autós gyermekülés csatlakozó részei megfelelően rögzültek-e.
- ! Az összeszerelést felnőtt személynek kell elvégeznie.
- ! A gyerekkocsit egyszerre csak egy gyermek használja. A gyerekkocsi születéstől 15 kg-ig súlyú gyermekek számára készült hátránéző módban és születéstől 22 kg súlyig vagy 4 éves korig, amelyik hamarabb bekövetkezik, előrenéző módban.
- ! Ha a gyerekkocsit 15 kg-nál nehezebb gyerekekkel használja hátra néző módban vagy 22 kg-nál nehezebbel előre néző módban, ez túlzott kopást és igénybevételt jelent a gyerekkocsinak.
- ! Hogy megelőzzön egy veszélyes, instabil helyzetet, ne tegyen 10 kg-nál nagyobb súlyt a tároló kosárba.
- ! Soha ne hagyja a gyermekét felügyelet nélkül.
- ! Soha ne helyezzen pénztárcát, bevásárlótáskát, csomagot vagy kiegészítő tárgyakat a fogantyúra vagy a tetőre.
- ! Ne használjon a gyártó által jóvá nem hagyott tartozékokat.
- ! Csak a gyártó által biztosított vagy ajánlott cserealkatrészeket használja.
- ! A sérülések elkerülése érdekében gondoskodjon róla, hogy a gyermek távol legyen, amikor összehajítja vagy kinyitja a terméket.
- ! Ez a termék nem megfelelő kocogásra vagy görkorcsolyázásra.
- ! A születéstől használható babakocsikat ajánlott a legjobban megdöntött helyzetben használni újszülött gyermekeknél.
- ! Kapcsolja be a rögzítőféket, amikor behelyezi és kiveszi a gyermeket.
- ! A csecsemőhordozó és alvász együttes használatához ez a jármű nem helyettesíti a kosarat vagy ágyat. Ha gyermekének aludnia kell, akkor megfelelő babakocsiba, kiságyba vagy ágyba kell helyezni.
- ! A mózeskosarat nem szabad használni, amint a gyermek képes egyedül ülni, megfordulni és négykézlábra állni. A gyermek maximális súlya: 9 kg.
- ! Ne használjon további matracokat, kivéve ha a gyártó ajánlja.
- ! Bármilyen teher, amit a fogantyúra, a háttámlára és/ vagy a jármű oldalára helyez, befolyásolhatja a jármű stabilitását.
- ! A háttámla hátulján lévő tárolózseb maximális teherbírása 0,45 kg (1 font).
- ! A kézi kosár maximális teherbírása 10 kg.

A babakocsi összeszerelése

(Lásd az 1-16. oldalon levő ábrákat)

Kérjük, a termék összeszerelése és használata előtt olvassa el a jelen kézikönyvben található összes utasítást.

A babakocsi kinyitása

Lásd a következő ábrákat: 1 - 4

Különítse el a tárolóreteszt a tárolótartóról 1, majd emelje felfelé a fogantyút 2 és 3. A kattató hang azt jelenti, hogy a babakocsi teljesen kinyílt.

! Ellenőrizze, hogy a babakocsi teljesen kinyitva rögzült, mielőtt tovább használná.

Az első kerék fel- és leszerelése

Lásd a következő ábrákat: 5 - 6

A hátsó kerék fel- és leszerelése

Lásd a következő ábrákat: 7 - 9

A teljesen összeszerelt babakocsit a következő ábra mutatja: 10

A babakocsi működése

Háttámla beállítása

Lásd a következő ábrát: 11

A háttámla 4 szögbe állítható.

A háttámla döntéséhez vagy emeléséhez fordítsa el a hátradöntő fogantyút az ülés hátoldalán, és húzza le a háttámlát. 11

! Kérjük, ne nyomja meg a kioldó gombot 11 - 3 a hátradöntő fogantyú közepén, amikor a döntésszöveget állítja.

! Győződjön meg róla, hogy a döntés megfelelőre van állítva a használathoz.

! A tárolózséb maximális terhelése a hátoldalon 0,45 kg.

A csat használata

Lásd a következő ábrákat: 12 - 13

A csat kinyitása

Nyomja meg a gombot, és a csat automatikusan kinyílik. 12

A csat zárolása

Egyeztesse a deréköv csatját a vállcsattal 13 - 1, és igazítsa őket a középső csathoz, így a csat automatikusan zár 13 - 2. A „kattanó” hang azt jelenti, hogy a csat teljesen zárva van. 13 - 3

! A kiesés vagy kicsúszás miatt bekövetkező komoly sérülések megelőzése érdekében mindig rögzítse a gyermeket hámszíjakkal.

! Győződjön meg róla, hogy a gyermek szorosan rögzítve van. A gyermek és a vállheveder közötti tér körülbelül kézvastagságú legyen.

! Ne keresztezze a vállszíjakat. Ez nyomást gyakorol a gyermek nyakára.

A váll- és csípőhámszíjak használata

Lásd a következő ábrákat: 14 - 15

! Ahhoz, hogy a gyermeket megvédje a kieséstől, miután a gyermeket behelyezte az ülésbe, ellenőrizze, hogy a váll- és csípőhámszíjak megfelelő magasságban vannak és megfelelő hosszúságúak.

14 - 1 Vállhámszíjrögzítő

14 - 2 Csúszkaállító

Nagyobb gyermek esetében használja a vállhámszíjrögzítőt és a legmagasabb vállpánt nyílást. Kisebb gyermek esetében használja a vállhámszíjrögzítőt és a legalacsonyabb vállpánt nyílást.

A vállhámszíjrögzítő helyzetének állításához fordítsa a rögzítőt úgy, hogy szintben legyen, és az oldala előre nézzen. Húzza át a vállhámszíjnyíláson hátulról előre 17. Húzza át újra azon a nyíláson, amelyik a legközelebb áll a gyermek vállmagasságához. 15

A hámszín hosszának módosításához használja a csúszkaállítót. 15 - 1

Nyomja meg a 15 - 2 gombot, miközben a csípőhámszíjat a megfelelő hosszúságúra húzza. 15 - 3

Karfa felszerelése és levétele

Lásd a következő ábrákat: 16 - 17

A lábtartó beállítása

Lásd a következő ábrákat: 18 - 19

A lábtartónak 2 helyzete van.

A lábtartó leengedéséhez nyomja meg az állító gombokat a lábtartó mindkét oldalán 18 - 1 és fordítsa a lábtartót lefele. 18 - 2

A lábtartó felemeléséhez nyomja azt felfelé. A „kattanó” hang azt jelenti, hogy a tartó teljesen rögzült.

Az első bolygózárr használata

Lásd a következő ábrát: 20

Az első kerék zárolt vagy nem zárolt állapota a következők szerint: 20.

Tipp Egyenetlen felületeken ajánlott a bolygózárr használata.

A fék használata

Lásd a következő ábrákat: 21 - 22

A kerekek rögzítéséhez rálépéssel nyomja le a fékkart. A jelző piros lesz. 21

A kerekek kioldásához rálépéssel ismét nyomja le a fékkart. A jelző zöld lesz. 22

Tipp Mindig állítsa be a rögzítőféket, ha a babakocsi nem mozog.

A tető használata

Lásd a következő ábrákat: 23 - 24

A tető kinyitható vagy összehajtható, egyszerűen húzza előre vagy hátra. 23

A tető teljesen kinyitható, hogy teljesen megvédje gyermekét a naptól. Csak nyissa ki a cipzárt 24, majd húzza előre a tetőt.

A tetőn van egy ablak, amin keresztül láthatja a gyermekét. 24

A tető lecsatolható, lásd a következő ábrát: 25

A fogantyú állítása

Lásd a következő ábrát: 26

A fogantyúnak 5 helyzete van.

Ülésmagasság beállítása

Lásd a következő ábrát: 27

Az ülésnek 3 pozíciója van.

Nyomja meg az ülésmagasság-állító gombokat, és húzza felfelé vagy nyomja lefelé az ülésmagasság növeléséhez, illetve csökkentéséhez. 27

Az ülés megfordítása

Lásd a következő ábrákat: 28 - 41

Az ülés megfordítható, hogy az anya és a gyermek szemtől szemben legyen egymással.

Csúsztassa meg az ülés kioldó gombokat, miközben kiemeli az ülést. Fordítsa az ülést a fordított irányba, majd helyezze be az ülést az ülésrögzítőbe.

Mindkét üléstartónak egy szintben kell lennie a 28 ábra szerint. Ha a 29 és 30 ábrán lévő helyzetekkel szembeül, nyomja meg az ülésmagasság-állító gombot, és húzza felfelé vagy nyomja lefelé az üléstartó állításához, hogy mindkét üléstartó egy szintben legyen. 31

A vállhámszj-párna és a láb közötti hámszj párnájának használata

Lásd a következő ábrát: 42

A vállhámszj-párna vagy láb közötti hámszj párnája eltávolítható a hámrendszerről.

A vállhámszj-párnát és a láb közötti hámszj párnáját fordított lépésekben szerelheti vissza.

A babakocsi összehajtása

Lásd a következő ábrákat: 43 - 44

! Kérjük, hajtsa be a tetőt, mielőtt összehajtaná a babakocsit.

! A hátradöntő fogantyú közepén lévő gomb az ülés összehajtására szolgál. 43 - 1

! Az összehajtott babakocsi megáll, kivéve, amikor a fogantyú a legmagasabb állásban van.

! Kérjük, ne hajtsa össze a vázat, ha az első kerék bolygózára zárva van.

! A tároló retesz automatikusan a tároló rögzítőbe zár, és ekkor a babakocsi teljesen összehajtva és zárva van. 47 és 48

Ülésopciók használata

Lásd a következő ábrákat: 49 - 53

A babakocsi használható szimpla vagy dupla módban. Ha a babakocsivázat üléssel, kézi kosárral (Versiti Søskenesæde), Joie mózeskosárral (ramble, ramble xl és calmi) vagy Joie csecsemőhordozóval (i-Sung 2, i-Gemm 3, i-Jemini, sprint és i-Level Pro) használja, kövesse az alábbi utasításokat.

! Egyes modellek NEM tartalmazznak minden kiegészítőt, és lehet, hogy nem minden mód engedélyezett.

! Dupla mód használata esetén a felső rögzítőt a legmagasabb vagy a középső helyzetbe kell állítani. A felső rögzítő konkrét helyét lásd az 50

! Szimpla mód esetén csak a felső rögzítő használható. Az ülést, a mózeskosarat vagy a csecsemőhordozót a középső vagy a legalsóbb helyzetbe kell állítani. Kézi kosár csak a legalacsonyabb pozíció beállítása engedélyezett. 51 és 52

! NE használja a babakocsivázat üléssel, kézi kosárral, mózeskosárral vagy csecsemőhordozóval a következő módokon: 53

Kiegészítők használata

A kiegészítőket vagy külön árulják, vagy lehet, hogy nem érhetőek el a régiótól függően.

Használat kézi kosárral

Lásd a következő ábrákat: 54 - 55

Amikor kézi kosárral használja, kérjük, olvassa el az alábbi utasításokat.

! Kérjük, nyissa ki a rögzítőt mindkét oldalon, mielőtt a kézi kosarat csatlakoztatja. 54

! Kérjük, ne hajtsa össze a babakocsit, ha a kézi kosár még csatlakoztatva van.

Használat csecsemőhordozóval a felső rögzítőben

Lásd a következő ábrákat: 56 - 58

Amikor Joie csecsemőhordozóval használja, kérjük, olvassa el az alábbi utasításokat.

! Az adaptereken lévő betűk ugyanazok, mint a váz műanyagán lévő betűk. 56

! A „kattanó” hang azt jelenti, az adapter teljesen rögzítve van.

! A gyermekbiztonsági rendszer szöge állítható az állítható adaptereinkkel. 58

! Az adapterek 3 pozícióval rendelkeznek. Kérjük, ne használja a terméket, ha a csecsemő feje a gyermekbiztonsági rendszer csatlakoztatása után a lábknál lejjebb van.

! Kérjük, ne hajtsa össze a babakocsit, ha a csecsemőhordozó még mindig fel van szerelve.

! Amennyiben problémája adódik a csecsemőhordozó használatával, kérjük, olvassa el annak kezelési útmutatóját.

Használat Joie mózeskosárral a felső rögzítőben

Lásd a következő ábrákat: 59 - 63

Amikor Joie mózeskosárral használja, kérjük, olvassa el az alábbi utasításokat.

! A „kattanó” hang azt jelenti, az adapter teljesen rögzítve van.

! Kérjük, ne használja a terméket, ha a baba feje alacsonyabban van, mint a lába, miután csatlakoztatta a mózeskosarat.

! A mózeskosár használatakor mindig használja a matracot.

! Kérjük, ne hajtsa össze a babakocsit, amikor a mózeskosár csatlakoztatva van.

! Amennyiben problémája adódik a mózeskosár használatával, kérjük, olvassa el annak kezelési útmutatóját.

Használat csecsemőhordozóval vagy mózeskosárral az alsó rögzítőn

Lásd a következő ábrákat: 70 - 74

Joie csecsemőhordozóval és mózeskosárral történő használhat esetén kérjük, olvassa el az alábbi utasításokat.

! Kérjük, használat előtt húzza ki az alsó rögzítőt mindkét oldalon. 70

! Az alsó rögzítő lecsukható a mindkét oldalon található gombok megnyomásával. 71

! Az oszlopadaptereken lévő betűk ugyanazok, mint a váz műanyagán lévő betűk. 72

! A „kattanó” hang azt jelenti, az adapter teljesen rögzítve van.

! A csecsemőhordozó szöge adaptereinkkel 3 pozícióba állítható. 53

! Kérjük, ne használja a terméket, ha a csecsemő feje a lábánál lejjebb van a csecsemőhordozó vagy a mózeskosár csatlakoztatása után.

! A mózeskosár használatakor mindig használja a matracot.

! Kérjük, ne hajtsa össze a babakocsit, amikor a csecsemőhordozó vagy a mózeskosár csatlakoztatva van.

! Amennyiben problémája van a csecsemőhordozó vagy a mózeskosár használatával, kérjük, olvassa el a használati utasítását.

Az esővédő használata

Lásd a következő ábrát: 75

Az esővédő felszereléséhez helyezze azt az ülés fölé.

! Amikor az esővédőt használja, mindig ellenőrizze a szellőzést.

! Amikor nem használja, összehajtás előtt győződjön meg róla, hogy az esővédő tiszta és száraz.

! Az esővédő használatakor ne hajtsa össze a babakocsit.

! Meleg időben ne tegye a gyermeket felszerelt esővédővel rendelkező babakocsiba.

Tisztítás és karbantartás

Lásd a következő ábrát: 76

! A babakocsivázat kizárólag háztartási szappannal és meleg vízzel tisztítsa meg. Ne használjon fehérítőt vagy mosószert. A babakocsi szövettel bevont részeinek tisztítását illetően tekintse meg a kezelésre vonatkozó címkén lévő utasításokat.

! Az eltávolítható puha belsők mosógépben moshatók. Nem szabad fehéríteni. Ne csavarja ki nagy erővel az ülészuhatot vagy a belső bélést a szárítás érdekében. Ráncos maradhat az ülészuhat és a belső bélés.

! Rendszeres időközönként ellenőrizze, hogy nincsenek-e meglazult csavarok, elhasználadott alkatrészek, illetve elszakadt anyagdarabok vagy varrások a babakocsin. Szükség esetén cserélje le vagy javítsa meg az alkatrészeket. Időszakosan törölje tisztára a műanyag részeket egy nedves puha ronggyal. Mindig szárítsa meg a fémrészeket, hogy megelőzze a rozsdásodást, ha a babakocsi vízzel érintkezett.

! Túlzott napfény vagy hő hatására az alkatrészek kifakulhatnak vagy deformálódhatnak.

! Ha a babakocsi nedves lesz, nyissa ki a tetőt, és hagyja megszáradni tárolás előtt.

! Ha a kerekek nyikorognak, használjon könnyűolajat (pl. szilikon spray-t, rozsdagátló olajat vagy varrógépolajat). Fontos, hogy az olaj bejusson a tengelybe és a kerékgységbe. 76

! Ha a babakocsit strandon vagy nagyon homokos/poros helyen használja, használat után tisztítsa meg teljesen a babakocsit, hogy eltávolítsa a homokot és a sötét fém- és kerékrendszerből.

RO Bun venit la Joie™

Felicitări pentru că ați devenit parte din familia Joie! Ne bucurăm să participăm la călătorie alături de micuțul vostru. Când folosiți Joie versiti, vă puneți încrederea într-un cărucior de înaltă calitate, complet certificat, aprobat conform standardelor europene de siguranță EN 1888- 2:2018+A1:2022. Căruciorul poate fi folosit pentru nou-născuți și copii cu greutatea maximă de 15 kg în modul de orientare cu spatele la direcția de mers și pentru nou-născuți și copii cu greutatea maximă de 22 kg sau vârsta de până la 4 ani, oricare survine mai întâi, în modul de orientare cu fața la direcția de mers. Citiți cu atenție acest manual și urmați fiecare pas pentru a asigura o călătorie confortabilă și cea mai înaltă protecție pentru copilul dvs.

IMPORTANT - CITIȚI CU ATENȚIE ȘI PĂSTRAȚI PENTRU CONSULTĂRI ULTERIOARE.

Vizitați site-ul joiebaby.com pentru a descărca manuale și a vedea mai multe produse Joie!

Pentru informații privind garanția, vizitați site-ul nostru web pe joiebaby.com

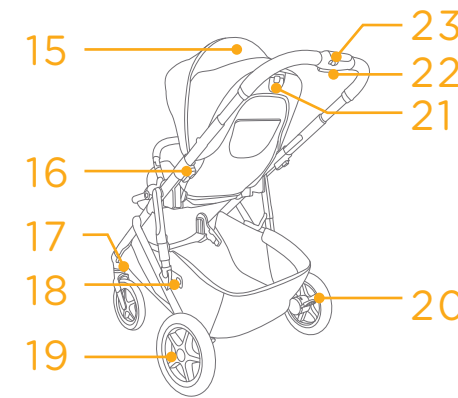
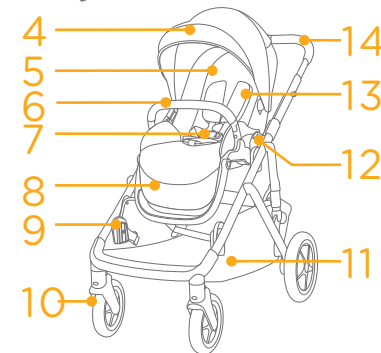
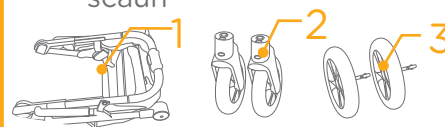
Urgențe

În caz de urgență sau accidente, este esențial să îi fie acordate primul ajutor și tratament medical copilului.

Lista componentelor

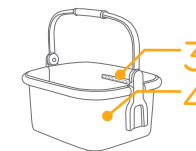
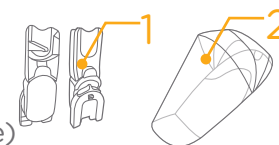
Înainte de montare, asigurați-vă că aveți toate componentele. Dacă lipsește o componentă, vă rugăm să contactați distribuitorul local. Montajul nu necesită niciun fel de scule.

- | | | | |
|----|---------------------------------|----|--------------------------------------------------------|
| 1 | Cadru cărucior | 13 | Ham pentru umeri |
| 2 | Roți față | 14 | Mânerul |
| 3 | Roți spate | 15 | Fereastra copertinei |
| 4 | Copertina | 16 | Butoane de reglare a înălțimii scaunului |
| 5 | Pernă scaun | 17 | Blocare pivotare |
| 6 | Cotieră | 18 | Mecanism de blocare pentru depozitare |
| 7 | Cataramă | 19 | Roată din spate |
| 8 | Suport pentru gambe | 20 | Manetă de frână |
| 9 | Suport de montare inferior | 21 | Maner de înclinare |
| 10 | Roată din față | 22 | Buton de reglare a mânerului/Mâner de pliere cu o mână |
| 11 | Coș de depozitare | 23 | Blocare secundară |
| 12 | Buton de eliberare pentru scaun | | |



Accesorii (pot să nu fie incluse)

- | | |
|---|-----------------------------------------|
| 1 | Adaptor (la anumite modele) |
| 2 | Husă pentru ploaie (la anumite modele) |
| 3 | Buzunar coș de mână |
| 4 | Buzunar coș de mână (la anumite modele) |



Accesoriile pot fi achiziționate separat sau nu sunt disponibile în funcție de regiune.

AVERTISMENT

- ! Utilizați întotdeauna sistemul de siguranță.
- ! Asigurați-vă că toate dispozitivele de blocare sunt cuplate înainte de utilizare.
- ! Nu lăsați copilul să se joace cu acest produs.
- ! Înaintea utilizării, verificați cuplarea corectă a corpului căruciorului sau a scaunului ori a dispozitivelor de atașare a scaunului auto.
- ! Asamblarea trebuie efectuată de un adult.
- ! Nu folosiți căruciorul pentru mai mult de un copil simultan. Căruciorul poate fi folosit pentru nou-născuți și copii cu greutatea maximă de 15 kg în modul de orientare cu spatele la direcția de mers și pentru nou-născuți și copii cu greutatea maximă de 22 kg sau vârsta de până la 4 ani, oricare survine mai întâi, în modul de orientare cu fața la direcția de mers.
- ! Utilizarea căruciorului cu un copil care cântărește mai mult de 15 kg, în modul orientat înapoi sau mai mult de 22 kg, în modul orientat înainte, va provoca uzura excesivă a acestui cărucior.
- ! Pentru a preveni o situație de pericol sau de instabilitate, nu așezați o greutate mai mare de 10 kg în coșul de depozitare.
- ! Nu lăsați niciodată copilul nesupravegheat.
- ! Nu așezați niciodată geți, plase, pachete sau accesorii pe mâner sau copertină.
- ! Se interzice utilizarea accesoriilor care nu sunt aprobate de către producător.
- ! Trebuie utilizate doar piese de schimb furnizate sau recomandate de către producător.
- ! Pentru a evita rănirea, asigurați-vă că, atunci când deschideți și când pliați acest produs, copilul nu se află în apropierea acestuia.
- ! Acest produs nu este adecvat pentru alergare sau patinaj.
- ! Pentru cărucioarele destinate pentru a fi utilizate pentru copiii nou-născuți, se recomandă utilizarea poziției de înclinare maximă.
- ! Dispozitivul de parcare trebuie cuplat atunci când așezați sau ridicați copilul.
- ! Pentru scaunele de mașină utilizate în combinație cu un cadru, vehiculul nu înlocuiește pătutul sau patul. În cazul în care copilul trebuie să doarmă, puneți copilul într-un cărucior, pătuț pliant sau pat adecvat.
- ! De îndată ce copilul poate să stea de unul singur, să se rostogolească și să se împingă în sus pe mâini și pe genunchi, se va înceta utilizarea pătutului de transport. Greutatea maximă a copilului: 9 kg.
- ! Nu se adaugă o saltea suplimentară decât la recomandarea producătorului.
- ! Orice sarcină atașată pe mâner și/sau pe partea din spate a spătarului și/sau pe părțile laterale ale vehiculului afectează stabilitatea acestuia.
- ! Sarcina maximă a buzunarului de depozitare de pe spatele spătarului este de 0,45 kg (1 lb).
- ! Sarcina maximă a coșului de mână este de 10 kg.

Asamblarea căruciorului

(consultați figurile de la paginile 1-16)

Citiți toate instrucțiunile din manual înainte de asamblarea și utilizarea acestui produs.

Deschideți căruciorul

consultați imaginile 1 - 4

Desprindeți mânerul de depozitare de suportul de depozitare 1, apoi ridicați mânerul în sus 2 și 3 un sunet de clic înseamnă că a fost complet deschis căruciorul.

! Asigurați-vă că mecanismul căruciorului este complet blocat înainte de a continua utilizarea.

Asamblarea și demontarea roților din față

consultați imaginile 5 - 6

Asamblarea și demontarea roților din spate

consultați imaginile 7 - 9

Căruciorul asamblat complet este indicat ca 10

Utilizarea căruciorului

Reglarea spătarului

consultați imagina 11

Există 4 unghiuri de reglare a spătarului.

Pentru a ridica sau înclina spătarul, rotiți mânerul de înclinare de pe spatele scaunului, trageți în jos de spătar. 11

! Nu apăsați butonul de eliberare 11 - 3 de pe mijlocul mânerului de înclinare atunci când reglați unghiul de înclinare.

! Asigurați-vă că înclinarea este fixată corect înainte de utilizare.

! Sarcina maximă a buzunarului de depozitare de pe spatele spătarului este de 0,45 kg.

Utilizarea cataramii

consultați imaginile 12 - 13

Decuplarea cataramii

Apăsați butonul, catarama se va elibera automat. 12

Blocarea cataramii

Aliniați catarama curelei de talie cu catarama curelei de umăr 13 - 1 și aliniați-le cu catarama centrală, iar catarama se va bloca automat 13 - 2. Un „clic” indică blocarea completă a cataramii. 13 - 3

! Pentru a evita accidentările grave cauzate de căderi sau alunecări, fixați întotdeauna copilul cu hamul.

! Asigurați-vă că ați fixat strâns copilul. Spațiul dintre copil și hamul de umăr este de aproximativ o lățime de mână.

! Nu încrucișați curelele de umăr. Aceasta va pune presiune asupra gâtului copilului.

Utilizarea hamurilor de umăr și de talie

consultați imaginile 14 - 15

! Pentru a proteja copilul astfel încât acesta să nu cadă, după ce copilul este așezat în scaun, verificați dacă hamurile de umăr și de la piept au înălțimea și lungimea corespunzătoare.

14 - 1 Prinderea hamului pentru umeri

14 - 2 Reglarea glisării

Pentru copiii mai mari, folosiți punctul de fixare a hamului și orificiile superioare pentru umeri. Pentru copiii mai mici, folosiți punctul de fixare a hamului și cele mai joase orificii pentru umeri.

Pentru a regla poziția ancorei hamului pentru umăr, rotiți ancora cu latura orientată în față. Treceți-o prin fanta pentru hamul de umăr, din spate în față 17. Treceți-o din nou prin fanta cea mai apropiată de înălțimea umărului copilului. 15

Utilizați dispozitivul de reglare pentru a modifica lungimea hamului. 19 - 1

Apăsați pe butonul 19 - 2, în timp ce trageți hamul de talie la lungimea corespunzătoare. 19 - 3

Asamblarea și demontarea cotierei

consultați imaginile 20 - 22

Reglarea suportului pentru gambe

consultați imaginile 23 - 25

Suportul pentru gambe are 2 poziții.

Pentru a coborî suportul pentru gambe, apăsați pe butoanele de reglare de pe ambele părți ale suportului pentru gambe 23 - 1 și rotiți suportul pentru gambe în jos. 23 - 2

Pentru a ridica suportul pentru gambe, împingeți-l în sus. Un sunet „clic” înseamnă că a fost blocat complet suportul pentru gambe.

Utilizarea blocării pivotării roților față

consultați imagina 26

Starea roții din față blocată sau deblocată ca 26.

Sfat Se recomandă utilizarea blocării pivotării pe suprafețe neuniforme.

Utilizarea frânei

consultați imaginile 26 - 27

Pentru a bloca roțile, apăsați maneta de frână, indicatorul va arăta roșu. 26

Pentru a elibera roțile, apăsați din nou maneta de frână, indicatorul va arăta verde. 27

Sfat Acționați întotdeauna frâna de picior când căruciorul nu se mișcă.

Utilizarea copertinei

consultați imaginile 28 - 31

Copertina poate fi deschisă sau pliată, trageți-o spre față sau spre spate. 28

Copertina poate fi deschisă complet pentru a vă proteja copilul de soare la maximum, desfăceți fermoarul 28, apoi trageți copertina în față.

Există o fereastră pe copertină, prin care puteți vedea bebelușul. 30

Copertina se poate desprinde așa cum se arată 31

Reglarea mânerului

consultați imagina 32

Mânerul are 5 poziții.

Reglarea înălțimii scaunului

consultați imagina 33

Scaunul are 3 poziții.

Apăsați pe butoanele de reglare a înălțimii scaunului și trageți în sus pentru a crește sau apăsați în jos pentru a reduce înălțimea scaunului. 33

Schimbarea scaunului

consultați imaginile 34 - 41

Scaunul poate fi schimbat, pentru ca mama și copilul să fie față în față.

Glisați butoanele de eliberare a scaunului în timp ce ridicați scaunul. Rotiți scaunul în direcția inversă și apoi introduceți scaunul pe suporturile sale.

Ambele suporturi trebuie să fie la același nivel, afișat în 35, dacă apar situațiile prezentate în 37 și 38, apăsați butonul de reglare a înălțimii scaunului și trageți în sus sau apăsați în jos pentru a reduce înălțimea scaunului, pentru a vă asigura că ambele suporturi sunt montate la același nivel. 36

Folosiți husa hamului de umăr și husa hamului pentru coapse

consultați imaginea 

Puteți îndepărta husa hamului de umăr și husa hamului pentru coapse.

Pentru a monta husa hamului de umăr și husa hamului pentru coapse, urmați pașii în ordine inversă.

Plierea căruciorului



consultați imaginile  - 

! Pliati copertina înainte de a plia căruciorul.

! Butonul din mijlocul mânerului de înclinare este utilizat pentru pliarea scaunului.  - 1

! Căruciorul pliat poate fi pus în poziție verticală, mai puțin atunci când mânerul este în poziția cea mai înaltă.

! Nu pliați cadrul când roata din față este blocată.


! Mânerul de blocare se va agăța automat de suportul de depozitare, apoi căruciorul este pliat și blocat complet.  și 



Utilizarea opțiunii de așezare


consultați imaginile  - 

Căruciorul poate fi folosit în modul dublu sau singur. (Scaun Suplimentar Versiti) Atunci când folosiți cadrul de cărucior împreună cu un scaun portabil Joie (ramble, ramble xl și calmi) sau cu un sistem de siguranță pentru bebeluși Joie (i-Sung 2, i-Gemm 3, i-Jemini, sprint și i-Level Pro), consultați următoarele instrucțiuni.

! NU toate accesoriile sunt incluse cu anumite modele și nu toate modulele sunt permise.

! Când se utilizează modul dublu, suportul de montare superior trebuie reglat la poziția maximă sau la poziția de mijloc. Consultați  pentru poziția specifică pentru suportul de montare superior.

! Folosiți căruciorul în modul singur doar împreună cu suportul superior. Scaunul, scaunul portabil sau sistemul de siguranță pentru bebeluși trebuie ajustat la poziția de mijloc sau cea mai de jos, iar coșul de mână trebuie ajustat doar la cea mai joasă poziție.  și 

! NU folosiți cadrul căruciorului cu scaunul, coșul de mână, scaunul portabil sau sistemul de siguranță pentru bebeluși prezentat în 

Utilizarea accesoriilor

Accesoriile pot fi achiziționate separat sau nu sunt disponibile în funcție de regiune.

Folosirea împreună cu coșul de mână

consultați imaginile  - 

Când se utilizează împreună cu coșul de mână, consultați următoarele instrucțiuni.

! Deschideți suportul pe ambele laturi înainte de a atașa coșul de mână. 

! NU pliați căruciorul atunci când încă este atașat coșul de mână.

Utilizarea cu sistemul de siguranță pentru bebeluși pe suportul de montare superior

consultați imaginile  - 

Când se utilizează cu sistemul de siguranță pentru sugari Joie, consultați următoarele instrucțiuni.

! Literele de pe adaptoare sunt aceleași ca și cele de pe plasticul cadrului. 

! Un sunet „clic” înseamnă că au fost blocate complet adaptoarele.

! Unghiul transportorului pentru copii poate fi ajustat cu ajutorul adaptoarelor noastre reglabile. 

! Adaptoarele au 3 poziții. Nu utilizați produsul atunci când capul bebelușului este situat într-o poziție mai joasă decât picioarele sale, după ce a fost atașat sistemul de reținere pentru bebeluși.

! Nu pliați căruciorul atunci când încă este atașat sistemul de reținere a sugarilor.

! Dacă aveți probleme cu utilizarea scaunului pentru sugari, consultați manualele de instrucțiuni ale dispozitivelor.

Utilizarea cu scaunul portabil Joie pe suportul de montare superior

consultați imaginile  - 

În cazul utilizării cu scaunul portabil Joie, consultați instrucțiunile de mai jos.

! Un sunet „clic” înseamnă că au fost blocate complet adaptoarele.

! Nu utilizați produsul atunci când capul bebelușului este situat într-o poziție mai joasă decât picioarele sale, după ce a fost atașat pătuțul portabil.

! Folosiți întotdeauna salteaua atunci când utilizați pătuțul portabil.

! Nu pliați căruciorul când atașați pătuțul de transport.

! Dacă aveți probleme cu utilizarea pătuțului portabil, consultați manualele de instrucțiuni ale dispozitivelor.

Utilizarea cu sistemul de siguranță pentru bebeluși pe suportul de montare inferior

consultați imaginile  - 

Când se utilizează cu sistemul de siguranță pentru bebeluși și scaunul portabil Joie, consultați următoarele instrucțiuni.

! Trageți spre exterior suportul inferior de ambele laturi înainte de utilizare. 

! Suportul inferior poate fi pliat apăsând pe butoanele de pe ambele laturi. 

! Literele de pe adaptoarele de stativ sunt aceleași ca și cele de pe plasticul cadrului. 

! Un sunet „clic” înseamnă că au fost blocate complet adaptoarele.

! Unghiul sistemului de siguranță pentru bebeluși poate fi ajustat într-una din cele 3 poziții cu ajutorul adaptoarelor noastre reglabile. 

! Nu utilizați produsul atunci când capul bebelușului este situat într-o poziție mai joasă decât picioarele sale, după ce a fost atașat sistemul de siguranță pentru bebeluși sau scaunul portabil.

! Folosiți întotdeauna salteaua atunci când utilizați pătuțul portabil.

! Nu pliați căruciorul când atașați sistemul de siguranță pentru bebeluși sau scaunul portabil.

! Dacă aveți probleme când folosiți sistemul de siguranță pentru bebeluși sau scaunul portabil, consultați manualele de instrucțiuni ale dispozitivelor respective.

Utilizarea husei de ploaie

consultați imaginea 

Pentru a asambla husa de protecție împotriva ploii, așezați-o peste scaun.

! Dacă folosiți husa de ploaie, verificați întotdeauna ventilația corespunzătoare.

! Atunci când nu o folosiți, curățați și uscați husa de ploaie înainte de a o strânge.

! Nu pliați căruciorul după ce ați montat husa de ploaie.

! În zilele călduroase, nu așezați copilul în căruciorul cu husa de ploaie montată.

Curățare și întreținere

consultați imaginea 

! Pentru a curăța cadrul căruciorului, utilizați săpun de uz casnic și apă caldă. Nu utilizați înălbitor sau detergent. Consultați eticheta de îngrijire pentru instrucțiuni despre curățarea părților textile ale căruciorului.

! Părțile moi detașabile pot fi spălate în mașina de spălat. Nu utilizați înălbitor. Nu răsucați cu forță mare componentele moi și căptușeala interioară pentru a le usca. Poate lăsa cute în husa scaunului și căptușeala interioară.

! Verificați periodic căruciorul pentru a vedea dacă există șuruburi slăbite, piese uzate, material sau cusături sfâșiate. Înlocuiți sau reparați piesele după cum este necesar. Ștergeți periodic componentele de plastic cu o lavetă moale umedă. Uscați întotdeauna componentele de metal ale căruciorului pentru a preveni apariția ruginii, dacă acesta a intrat în contact cu apa.

! Expunerea excesivă la soare sau căldură poate cauza decolorarea sau deformarea pieselor.

! În cazul în care căruciorul se udă, deschideți copertina și lăsați-o să se usuce bine înainte de depozitare.

! Dacă scârțâie roțile, utilizați un ulei subțire (de exemplu, spray cu silicon, ulei anti-rugină, sau ulei pentru mecanisme fine). Este important să aplicați ulei în ansamblul axului și al roții. 

! Atunci când utilizați căruciorul la plajă sau în zone cu mult praf/nisip, curățați căruciorul complet după utilizare, pentru a îndepărta nisipul și sarea de pe mecanismele și ansamblurile roților.

EL Καλώς ήλθατε στη Joie™

Συγχαρητήρια, γίνετε μέλος της οικογένειας Joie! Είμαστε ιδιαίτερα ενθουσιασμένοι που θα βρισκόμαστε μαζί στο ταξίδι σας με το μικρό σας. Κατά τις μετακινήσεις σας με το Joie versiti χρησιμοποιείτε ένα υψηλής ποιότητας, πλήρως πιστοποιημένο καρότσι που έχει εγκριθεί σύμφωνα με τα Ευρωπαϊκά πρότυπα ασφαλείας EN 1888-2:2018+A1:2022. τα 15 κιλά όταν το παιδί κοιτάζει προς τα πίσω και από τη γέννηση μέχρι τα 22 κιλά ή την ηλικία των 4 ετών, όποιο συμβεί πρώτο, όταν το παιδί κοιτάζει προς τα εμπρός. Διαβάστε προσεκτικά αυτό το εγχειρίδιο και ακολουθήστε κάθε βήμα για να εξασφαλίσετε άνετη μετακίνηση και βέλτιστη προστασία για το παιδί σας.

ΣΗΜΑΝΤΙΚΟ - ΔΙΑΒΑΣΤΕ ΠΡΟΣΕΚΤΙΚΑ ΚΑΙ ΦΥΛΑΞΤΕ ΓΙΑ ΜΕΛΛΟΝΤΙΚΗ ΑΝΑΦΟΡΑ.

Επισκεφθείτε μας στο joiebaby.com για να κατεβάσετε εγχειρίδια και να δείτε κι άλλα συναρπαστικά προϊόντα Joie!

Για πληροφορίες σχετικά με την εγγύηση, επισκεφθείτε την ιστοσελίδα μας στο joiebaby.com

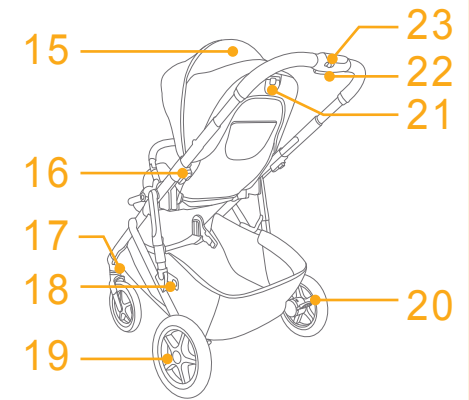
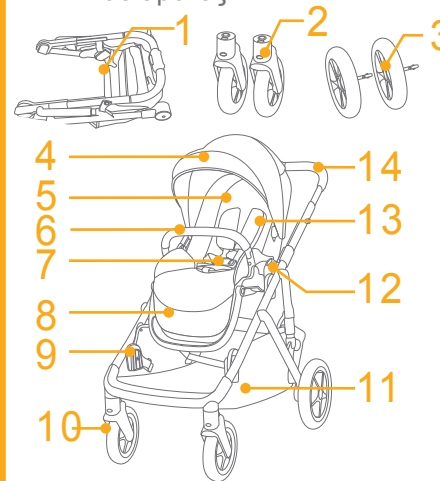
Έκτακτη ανάγκη

Σε περίπτωση έκτακτης ανάγκης ή ατυχήματος, η παροχή των πρώτων βοηθειών στο παιδί σας και η άμεση αναζήτηση ιατρικής περίθαλψης αποτελούν επιτακτική ανάγκη.

Κατάλογος εξαρτημάτων

Πριν από τη συναρμολόγηση βεβαιωθείτε ότι όλα τα εξαρτήματα είναι διαθέσιμα. Εάν λείπει οποιοδήποτε εξάρτημα, παρακαλούμε επικοινωνήστε με το κατάστημα λιανικής πώλησης. Δεν απαιτούνται εργαλεία για τη συναρμολόγηση.

- | | | | |
|----|--------------------------------|----|------------------------------------------------------|
| 1 | Πλαίσιο καροτσιού | 13 | Ιμάντας ώμου |
| 2 | Μπροστινοί τροχοί | 14 | Λαβή |
| 3 | Πίσω τροχοί | 15 | Παράθυρο κουκούλας |
| 4 | Κουκούλα | 16 | Κουμπιά ρύθμισης ύψους καθίσματος |
| 5 | Μαξιλάρι καθίσματος | 17 | Κλειδωμα τροχών |
| 6 | Προστατευτική μπάρα | 18 | Μάνταλο αποθήκευσης |
| 7 | Πόρπη | 19 | Πίσω τροχός |
| 8 | Στήριγμα ποδιών | 20 | Μοχλός φρένου |
| 9 | Χαμηλότερη βάση | 21 | Μοχλός ανάκλισης |
| 10 | Μπροστινός τροχός | 22 | Κουμπί ρύθμισης λαβής/Μοχλός κλεισίματος με ένα χέρι |
| 11 | Καλάθι αποθήκευσης | 23 | Δευτερεύουσα ασφάλεια |
| 12 | Κουμπί αποδέσμευσης καθίσματος | | |

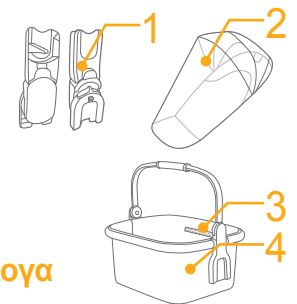


Εξαρτήματα

(Ενδέχεται να μην περιλαμβάνονται)

- 1 Προσαρμογέας (σε ορισμένα μοντέλα)
- 2 Κάλυμμα βροχής (σε ορισμένα μοντέλα)
- 3 Θήκη φορητού καλαθιού
- 4 Φορητό καλάθι (σε ορισμένα μοντέλα)

Τα εξαρτήματα ενδέχεται να πωλούνται ξεχωριστά ή να μην είναι διαθέσιμα ανάλογα με την περιοχή.



ΠΡΟΕΙΔΟΠΟΙΗΣΗ

- ! Χρησιμοποιείτε πάντα το σύστημα συγκράτησης.
- ! Βεβαιωθείτε ότι όλα τα εξαρτήματα ασφάλισης είναι τοποθετημένα πριν από τη χρήση.
- ! Μην αφήνετε το παιδί να παίζει με αυτό το προϊόν.
- ! Πριν τη χρήση, βεβαιωθείτε ότι το σώμα του καροτσιού, το κάθισμα και τα εξαρτήματα στερέωσης του καθίσματος είναι σωστά τοποθετημένα.
- ! Απαιτείται συναρμολόγηση από ενήλικο.
- ! Χρησιμοποιείτε το καρότσι μόνο με ένα παιδί τη φορά. Το καρότσι προορίζεται για παιδιά από τη γέννηση μέχρι τα 15 κιλά όταν το παιδί κοιτάζει προς τα πίσω και από τη γέννηση μέχρι τα 22 κιλά ή την ηλικία των 4 ετών, όποιο συμβεί πρώτο, όταν το παιδί κοιτάζει προς τα εμπρός.
- ! Η χρήση του καροτσιού με παιδιά βάρους άνω των 15 κιλών όταν το παιδί κοιτάζει προς τα πίσω και άνω των 22 κιλών όταν το παιδί κοιτάζει προς τα μπροστά θα προκαλέσει υπερβολική φθορά και καταπόνηση στο καρότσι.
- ! Για να αποφύγετε επικίνδυνες, ασταθείς καταστάσεις, μην τοποθετείτε αντικείμενα βάρους άνω των 10 κιλών στο καλάθι αποθήκευσης.
- ! Μην αφήνετε ποτέ το παιδί σας χωρίς επίβλεψη.
- ! Μην τοποθετείτε πορτοφόλια, τσάντες, δέματα ή εξαρτήματα επάνω στη λαβή ή την κουκούλα.
- ! Εξαρτήματα που δεν έχουν εγκριθεί από τον κατασκευαστή δεν πρέπει να χρησιμοποιούνται.
- ! Πρέπει να χρησιμοποιούνται μόνο ανταλλακτικά που παρέχονται ή συνιστώνται από τον κατασκευαστή.
- ! Για να αποφύγετε τραυματισμούς βεβαιωθείτε ότι το παιδί παραμένει σε απόσταση όταν ανοίγετε και κλείνετε το καρότσι.
- ! Αυτό το προϊόν δεν είναι κατάλληλο για τρέξιμο ή πατινάζ.
- ! Για τα καρότσια που προορίζονται για χρήση από τη γέννηση, συνιστάται η χρήση της πλέον οριζόντιας θέσης για τα νεογέννητα μωρά.
- ! Κατά την τοποθέτηση και την αφαίρεση του παιδιού πρέπει να ενεργοποιείται το φρένο.

- ! Για τα καθίσματα αυτοκινήτων που χρησιμοποιούνται σε συνδυασμό με ένα πλαίσιο, αυτό το όχημα δεν αντικαθιστά μια κούνια ή ένα κρεβάτι. Εάν το παιδί σας πρέπει να κοιμηθεί, τότε θα πρέπει να τοποθετηθεί σε κατάλληλο πορτ-μπεμπέ, κούνια ή κρεβάτι.
- ! Το πορτ-μπεμπέ δεν πρέπει να χρησιμοποιείται, μόλις το παιδί μπορεί να καθίσει μόνο του, να γυρίσει στο πλάι και να στηριχθεί στα χέρια και τα γόνατά του. Μέγιστο βάρος παιδιού: 9 κιλά.
- ! Δεν πρέπει να προστίθεται επιπλέον στρώμα, εκτός εάν το συνιστά ο κατασκευαστής.
- ! Κάθε φορτίο που συνδέεται με τη λαβή και/ή με το πίσω μέρος της πλάτης ή/και τις πλευρές του οχήματος θα επηρεάσει τη σταθερότητα του οχήματος.
- ! Το μέγιστο φορτίο της τσέπης αποθήκευσης στο πίσω μέρος της πλάτης είναι 0,45 κιλά.
- ! Το μέγιστο φορτίο του φορητού καλάθιού είναι 10 κιλά.

Συναρμολόγηση καροτσιού

(Ανατρέξτε στις εικόνες στις σελίδες 1-16)

Διαβάστε όλες τις οδηγίες σε αυτό το εγχειρίδιο πριν τη συναρμολόγηση και χρήση του προϊόντος.

Άνοιγμα καροτσιού

Δείτε τις εικόνες 1 - 4

Ελευθερώστε το νάταλο ασφάλισης από την υποδοχή ασφάλισης 1, σηκώστε τη λαβή προς τα πάνω 2 & 3. Ένας ήχος κλικ υποδεικνύει ότι το καρότσι έχει ανοίξει πλήρως.

! Βεβαιωθείτε ότι το καρότσι είναι σωστά ανοιγμένο πριν το χρησιμοποιήσετε.

Συναρμολόγηση & αφαίρεση μπροστινού τροχού

Δείτε τις εικόνες 5 - 6

Συναρμολόγηση & αφαίρεση πίσω τροχού

Δείτε τις εικόνες 7 - 9

Το πλήρως συναρμολογημένο καρότσι εμφανίζεται στην εικόνα 10

Χρήση καροτσιού

Ρύθμιση πλάτης

Δείτε την εικόνα 11

Υπάρχουν 4 γωνίες κλίσης για την πλάτη.

Για να ανεβάσετε ή να κατεβάσετε την πλάτη του καθίσματος, στρέψτε τη λαβή στο πίσω μέρος του καθίσματος, πιέζοντας την πλάτη προς τα κάτω. 11

! Μην πατάτε το κουμπί αποδέσμευσης 11 - 3 στη μέση της λαβής κλίσης όταν ρυθμίζετε τη γωνία κλίσης.

! Βεβαιωθείτε ότι η κλίση έχει ρυθμιστεί σωστά.

! Το μέγιστο φορτίο της τσέπης αποθήκευσης στο πίσω μέρος της πλάτης είναι 0,45 κιλά.

Χρήση της πόρπης

Δείτε τις εικόνες 12 - 15

Άνοιγμα πόρπης

Πατήστε το κουμπί, η πόρπη θα απελευθερωθεί αυτόματα. 12

Κλείδωμα πόρπης

Ταιριάζτε την πόρπη του ιμάντα μέσης με εκείνη του ιμάντα ώμων 15 - 1 και ευθυγραμμίστε τις με την κεντρική πόρπη, ώστε η πόρπη να μπορεί να ασφαλίσει αυτόματα 15 - 2. Ένας ήχος "κλικ" σημαίνει ότι η πόρπη έχει ασφαλίσει σωστά. 13 - 3

! Για να αποφύγετε σοβαρούς τραυματισμούς από πτώση ή ολίσθηση, χρησιμοποιείτε πάντα τους ιμάντες.

! Βεβαιωθείτε ότι το παιδί σας είναι δεμένο σωστά. Βεβαιωθείτε ότι ο χώρος μεταξύ του παιδιού και του ιμάντα ώμου είναι περίπου το πάχος ενός χεριού.

! Μην σταυρώνετε τους ιμάντες ώμου. Αυτό θα ασκήσει πίεση στον αυχένα του παιδιού.

Χρήση των ιμάντων ώμων και μέσης

Δείτε τις εικόνες 14 - 16

! Για να προστατέψετε το παιδί σας από πτώσεις, αφού το τοποθετήσετε στο κάθισμα, ελέγξτε εάν οι ιμάντες ώμων και μέσης έχουν ρυθμιστεί σωστά.

14 - 1 Άγκιστρο ιμάντα ώμου

14 - 2 Ρύθμιση μήκους

Για μεγαλύτερα παιδιά, χρησιμοποιήστε το άγκιστρο ιμάντα ώμου και τις επάνω υποδοχές ιμάντα. Για μικρότερα παιδιά, χρησιμοποιήστε το άγκιστρο ιμάντα ώμου και τις κάτω υποδοχές ιμάντα.

Για να ρυθμίσετε τη θέση του άγκιστρου των ιμάντων ώμων, στρέψτε το άγκιστρο ώστε να είναι επίπεδο με το πλαινό τμήμα στραμμένο προς τα εμπρός. Περάστε το από την υποδοχή από πίσω προς τα εμπρός 17. Περάστε το ξανά από την υποδοχή που είναι πιο κοντά στο ύψος των ώμων του παιδιού. 16

Χρησιμοποιήστε το ρυθμιστικό για να προσαρμόσετε το μήκος του ιμάντα. 16 - 1

Πατήστε το κουμπί 16 - 2 και τραβήξτε τον ιμάντα μέσης για να ρυθμίσετε το σωστό μήκος. 16 - 3

Συναρμολόγηση & αφαίρεση προστατευτικής μπάρας

Δείτε τις εικόνες 18 - 22

Ρύθμιση στηρίγματος ποδιών

Δείτε τις εικόνες 23 - 24

Το στήριγμα ποδιών έχει 2 θέσεις.

Για να κατεβάσετε το στήριγμα ποδιών, πατήστε τα κουμπιά ρύθμισης και στις δύο πλευρές του στηρίγματος ποδιών 23 - 1 και περιστρέψτε το στήριγμα προς τα κάτω. 23 - 2

Για να ανεβάσετε το στήριγμα ποδιών, ωθήστε το προς τα πάνω. Ένας ήχος "κλικ" σημαίνει ότι το στήριγμα έχει ασφαλίσει σωστά.

Χρήση της ασφάλειας μπροστινών τροχών

Δείτε την εικόνα 25

Μπροστινός τροχός κλειδωμένος ή ξεκλειδωτός 25.

Συμβουλή Συνιστάται η χρήση των ασφαλειών των μπροστινών τροχών σε ανώμαλες επιφάνειες.

Χρήση του φρένου

Δείτε τις εικόνες 26 - 27

Για να ασφαλίσετε τους τροχούς, πιέστε τον μοχλό φρένων προς τα κάτω. Η ένδειξη γίνεται κόκκινη. 26

Για να ελευθερώσετε τους τροχούς, πιέστε ξανά τον μοχλό φρένων προς τα κάτω. Η ένδειξη γίνεται πράσινη. 27

Συμβουλή Ενεργοποιείτε πάντα το φρένο όταν το καρότσι δεν κινείται.

Χρήση της κουκούλας

Δείτε τις εικόνες 28 - 31

Η κουκούλα μπορεί να ανοίξει ή να κλείσει τραβώντας την προς τα εμπρός ή προς τα πίσω. 28

Η κουκούλα μπορεί να ανοίξει πλήρως για την προστασία του παιδιού σας από τον ήλιο. Απλά ανοίξτε φερμουάρ 29 και, στη συνέχεια, τραβήξτε την κουκούλα προς τα εμπρός.

Υπάρχει ένα παράθυρο στην κουκούλα, μέσω του οποίου μπορείτε να βλέπετε το μωρό σας. 30

Η κουκούλα μπορεί να αποσπαστεί, όπως φαίνεται στο 31

Ρύθμιση λαβής

Δείτε την εικόνα 32

Η λαβή έχει 5 θέσεις.

Ρύθμιση ύψους καθίσματος

Δείτε την εικόνα 33

Το κάθισμα έχει 3 θέσεις.

Πατήστε τα κουμπιά ρύθμισης ύψους καθίσματος και τραβήξτε προς τα πάνω για να αυξήσετε ή προς τα κάτω για να μειώσετε το ύψος του καθίσματος. 33

Αλλαγή θέσης καθίσματος

Δείτε τις εικόνες 34 - 41

Το κάθισμα μπορεί να αλλάξει θέση ώστε το παιδί να κοιτάζει προς τη μητέρα.

Σύρετε τα κουμπιά αποδέσμευσης καθίσματος και σηκώστε το κάθισμα προς τα πάνω. Γυρίστε το κάθισμα προς την αντίστροφη κατεύθυνση και μετά τοποθετήστε το κάθισμα στις βάσεις καθίσματος.

Και οι δύο βάσεις καθίσματος πρέπει να είναι επίπεδες όπως παρουσιάζεται στην εικόνα 35. Εάν είναι όπως παρουσιάζεται στις εικόνες 37 & 38, πατήστε το κουμπί ρύθμισης ύψους καθίσματος και τραβήξτε προς τα πάνω και, στη συνέχεια, πιέστε προς τα κάτω για να μειώσετε το ύψος του καθίσματος για να βεβαιωθείτε ότι και οι δύο βάσεις καθίσματος είναι επίπεδες. 35

Χρήση των καλυμμάτων των ιμάντων ώμων και του ιμάντα καβάλου

δείτε την εικόνα

Τα καλύμματα των ιμάντων ώμων και του ιμάντα καβάλου μπορούν να αφαιρεθούν.

Για να επανατοποθετήσετε τα καλύμματα, ακολουθήστε την ίδια διαδικασία με αντίστροφη σειρά.

Αναδίπλωση καροτσιού

δείτε τις εικόνες

! Κλείστε την κουκούλα πριν κλείσετε το καρότσι.

! Το κουμπί στο κέντρο που μοχλού ανάκλισης χρησιμοποιείται για την αναδίπλωση του καθίσματος.

! Το διπλωμένο καρότσι μπορεί να σταθεί εκτός από όταν η λαβή βρίσκεται στην υψηλότερη θέση.

! Μην κλείνετε το πλαίσιο όταν είναι ενεργοποιημένη η ασφάλεια μπροστινών τροχών.

! Το μάνταλο ασφάλισης θα κουμπώσει αυτόματα στην υποδοχή και το καρότσι θα ασφαλίσει πλήρως.

Χρήση επιλογών καθίσματος

δείτε τις εικόνες

Το καρότσι μπορεί να χρησιμοποιηθεί με δύο ή με ένα κάθισμα. Κατά τη χρήση του πλαισίου καροτσιού με κάθισμα (Κάθισμα δεύτερου παιδιού Versiti), φορητό καλάθι, πορτ-μπεμπέ Joie (ramble, ramble xl και calm) ή βρεφικό κάθισμα Joie (i-Sung 2, i-Gemm 3, i-Jemini, sprint και i-Level Pro), ανατρέξτε στις παρακάτω οδηγίες.

! ΔΕΝ περιλαμβάνονται όλα τα εξαρτήματα σε ορισμένα μοντέλα και δεν επιτρέπονται όλες οι λειτουργίες.

! Κατά τη χρήση με δύο καθίσματα, η επάνω βάση πρέπει να ρυθμιστεί στην υψηλότερη ή τη μεσαία θέση. Ανατρέξτε στην

! Κατά τη χρήση με ένα κάθισμα, χρησιμοποιείτε μόνο την πάνω βάση. Το κάθισμα, το πορτ-μπεμπέ ή το βρεφικό κάθισμα πρέπει να ρυθμιστεί στη μεσαία ή τη χαμηλότερη θέση, το φορητό καλάθι πρέπει να ρυθμιστεί μόνο στη χαμηλότερη θέση.

! ΜΗΝ χρησιμοποιείτε τον σκελετό του καροτσιού με το κάθισμα, το καλάθι χειρός, το πορτ μπεμπέ ή το βρεφικό κάθισμα με τον τρόπο που φαίνεται στην εικόνα

Χρήση των εξαρτημάτων

Τα εξαρτήματα ενδέχεται να πωλούνται ξεχωριστά ή να μην είναι διαθέσιμα ανάλογα με την περιοχή.

Χρήση με φορητό καλάθι

δείτε τις εικόνες

Κατά τη χρήση με το φορητό καλάθι, ανατρέξτε στις παρακάτω οδηγίες.

! Ανοίξτε τη βάση και στις δύο πλευρές προτού συνδέσετε το φορητό καλάθι.

! Μην κλείνετε το καρότσι όταν είναι τοποθετημένο το φορητό καλάθι.

Χρήση με βρεφικό κάθισμα στην επάνω βάση

δείτε τις εικόνες

Κατά τη χρήση με το βρεφικό κάθισμα Joie, ανατρέξτε στις παρακάτω οδηγίες.

! Τα γράμματα στους προσαρμογείς είναι τα ίδια με εκείνα στο πλαστικό πλαίσιο.

! Ένας ήχος “κλικ” σημαίνει ότι οι προσαρμογείς έχουν ασφαλίσει σωστά.

! Η γωνία του βρεφικού καθίσματος μπορεί να ρυθμιστεί με τους παρεχόμενους ρυθμιζόμενους προσαρμογείς.

! Οι προσαρμογείς έχουν 3 θέσεις. Μην χρησιμοποιείτε το προϊόν όταν το κεφάλι του μωρού είναι σε χαμηλότερο επίπεδο από τα πόδια του μετά την τοποθέτηση του βρεφικού καθίσματος.

! Μην κλείνετε το καρότσι όταν είναι τοποθετημένο το βρεφικό κάθισμα.

! Εάν αντιμετωπίζετε οποιαδήποτε προβλήματα σχετικά με τη χρήση του καθίσματος, ανατρέξτε στο σχετικό εγχειρίδιο οδηγιών.

Χρήση με το πορτ-μπεμπέ Joie στην επάνω βάση

δείτε τις εικόνες

Κατά τη χρήση με το πορτ-μπεμπέ Joie, ανατρέξτε στις ακόλουθες οδηγίες.

! Ένας ήχος “κλικ” σημαίνει ότι οι προσαρμογείς έχουν ασφαλίσει σωστά.

! Μην χρησιμοποιείτε το προϊόν όταν το κεφάλι του μωρού είναι σε χαμηλότερο επίπεδο από τα πόδια του μετά την τοποθέτηση του πορτ-μπεμπέ.

! Χρησιμοποιείτε πάντα το στρώμα όταν χρησιμοποιείτε το πορτ-μπεμπέ.

! Μην διπλώνετε το καρότσι όταν έχετε τοποθετήσει το πορτ-μπεμπέ.

! Εάν αντιμετωπίζετε οποιαδήποτε προβλήματα σχετικά με τη χρήση του πορτ-μπεμπέ, ανατρέξτε στο σχετικό εγχειρίδιο οδηγιών.

Χρήση με το βρεφικό κάθισμα και το πορτ-μπεμπέ στη χαμηλότερη θέση

δείτε τις εικόνες

Κατά τη χρήση με το βρεφικό κάθισμα Joie και το πορτ-μπεμπέ, παρακαλούμε ανατρέξτε στις παρακάτω οδηγίες.

! Τραβήξτε την κάτω βάση και στις δύο πλευρές πριν από τη χρήση.

! Η κάτω βάση μπορεί να διπλωθεί πατώντας τα κουμπιά και στις δύο πλευρές.

! Τα γράμματα στους προσαρμογείς στήριξης είναι τα ίδια με εκείνα στο πλαστικό πλαίσιο.

! Ένας ήχος “κλικ” σημαίνει ότι οι προσαρμογείς έχουν ασφαλίσει σωστά.

! Η γωνία του βρεφικού καθίσματος μπορεί να ρυθμιστεί σε 3 θέσεις με τους παρεχόμενους ρυθμιζόμενους προσαρμογείς.

! Μην χρησιμοποιείτε το προϊόν όταν το κεφάλι του μωρού είναι σε χαμηλότερο επίπεδο από τα πόδια του μετά την τοποθέτηση του βρεφικού καθίσματος ή του πορτ-μπεμπέ.

! Χρησιμοποιείτε πάντα το στρώμα όταν χρησιμοποιείτε το πορτ-μπεμπέ.

! Μην διπλώνετε το καρότσι όταν έχετε τοποθετήσει το βρεφικό κάθισμα ή το πορτ-μπεμπέ.

! Εάν αντιμετωπίζετε οποιαδήποτε προβλήματα σχετικά με τη χρήση του βρεφικού καθίσματος και του πορτ-μπεμπέ, ανατρέξτε στο σχετικό εγχειρίδιο οδηγιών.

Χρήση του καλύμματος βροχής

δείτε την εικόνα

Για να συναρμολογήσετε το κάλυμμα βροχής, τοποθετήστε το πάνω από το κάθισμα.

! Όταν χρησιμοποιείτε το κάλυμμα βροχής, ελέγχετε πάντα τον αερισμό του καροτσιού.

! Όταν δεν χρησιμοποιείται, ελέγξτε ότι το κάλυμμα βροχής είναι καθαρό και στεγνό πριν το διπλώσετε.

! Μην κλείνετε το καρότσι όταν είναι τοποθετημένο το κάλυμμα βροχής.

! Μην τοποθετείτε το παιδί σας στο καρότσι με το κάλυμμα βροχής τοποθετημένο αν ο καιρός είναι ζεστός.

Καθαρισμός και συντήρηση

δείτε την εικόνα

! Για να καθαρίσετε το πλαίσιο του καροτσιού, χρησιμοποιήστε οικιακό σαπούνι και ζεστό νερό. Μην χρησιμοποιείτε λευκαντικό ή απορρυπαντικό. Ανατρέξτε στην ετικέτα φροντίδας για οδηγίες σχετικά με τον καθαρισμό των υφασμάτων των τμημάτων του καροτσιού.

! Τα αφαιρούμενα μαλακά στοιχεία μπορούν να πλυθούν στο πλυντήριο. Μην χρησιμοποιείτε λευκαντικό. Μη στύβετε υπερβολικά το κάλυμμα του καθίσματος και την εσωτερική επένδυση για να στεγνώσουν. Αυτό ενδέχεται να δημιουργήσει ζάρες στο κάλυμμα του καθίσματος και την εσωτερική επένδυση.

! Ελέγχετε περιοδικά το καρότσι για χαλαρές βίδες, φθαρμένα εξαρτήματα, σχισμένο υλικό ή φθορές. Αντικαταστήστε ή επισκευάστε τα εξαρτήματα όπως απαιτείται. Περιστασιακά, σκουπίζετε τα πλαστικά μέρη με ένα μαλακό υγρό πανί. Στεγνώνετε πάντα τα μεταλλικά μέρη για να αποτρέψετε τη δημιουργία σκουριάς εάν το καρότσι έρθει σε επαφή με το νερό.

! Η υπερβολική έκθεση στον ήλιο ή τη θερμότητα μπορεί να προκαλέσει ξεθώριασμα ή παραμόρφωση των εξαρτημάτων.

! Εάν το καρότσι βραχεί, ανοίξτε την κουκούλα και αφήστε το να στεγνώσει καλά πριν το αποθηκεύσετε.

! Εάν οι τροχοί τρίζουν, χρησιμοποιήστε ένα ελαφρύ λάδι (π.χ. σπρέι πυριτίου, αντισκωριακό λάδι ή λάδι ραπτομηχανής). Είναι σημαντικό να εισέλθει το λάδι στο συγκρότημα άξονα και τροχού.

! Όταν χρησιμοποιείτε το καροτσάκι σας στην παραλία ή σε χώρους με άμμο/σκόνη, καθαρίστε πλήρως το καροτσάκι σας μετά τη χρήση για να αφαιρέσετε άμμο και αλάτι από τους άμμο μηχανισμούς και τα συγκροτήματα τροχών.

TR Joie™'ye Hoş Geldiniz

Joie ailesinin bir parçası olduğunuz için tebrikler! Çocuğunuz ile birlikte yapacağınız seyahatinizin bir parçası olmak bizi fazlasıyla heyecanlandırıyor. Joie versiti ile seyahat ederken, EN 1888- 2:2018+A1:2022 Avrupa güvenlik standartlarıyla onaylanmış, yüksek kaliteli, tamamen sertifikalı bir bebek arabası kullanırsınız. Bebek arabası, arkaya donuk modda 15kg'a kadar ve ileriye donuk modda doğumdan 22 kg'a veya 4 yaşa kadar olan çocuklar için tasarlanmıştır. Lütfen bu kılavuzu dikkatlice okuyun ve çocuğunuz için rahat bir sürüş ve en iyi korumayı sağladığınızdan emin olmak için her adımı izleyin.

ÖNEMLİ - DİKKATLE OKUYUN VE İLERİDE BAŞVURMAK ÜZERE SAKLAYIN.

Kılavuzları indirmek ve daha heyecan verici Joie ürünlerine bakmak için joiebaby.com adresini ziyaret edin!

Garanti bilgileri için lütfen joiebaby.com adresindeki web sitemizi ziyaret edin.

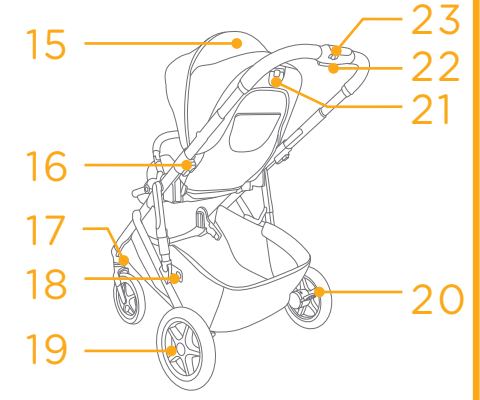
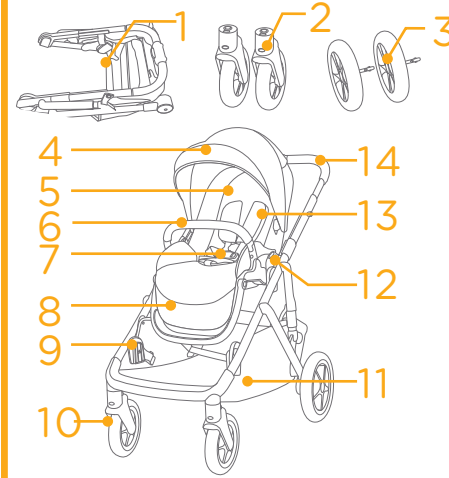
Acil durum

Acil durum veya kaza hâlinde, ilk yardım ve tıbbi tedavi yoluyla çocuğunuzla hemen ilgilenilmesini sağlamak çok önemlidir.

Parça Listesi

Montajdan önce tüm parçaların mevcut olduğundan emin olun. Herhangi bir parça eksikse, lütfen yerel bayi ile iletişime geçin. Montaj için bir alet gerekmez.

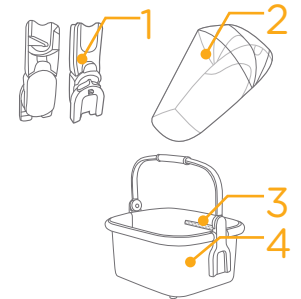
- | | | | |
|----|-------------------------|----|----------------------------------------------|
| 1 | Bebek Arabası Çerçevesi | 13 | Omuz Kemerli |
| 2 | Ön Tekerler | 14 | Tutma Kolu |
| 3 | Arka Tekerler | 15 | Tente Penceresi |
| 4 | Tente | 16 | Koltuk Yüksekliği Ayar Düğmeleri |
| 5 | Koltuk Minderi | 17 | Döndürme Kilidi |
| 6 | Kolçak | 18 | Depolama Mandalı |
| 7 | Toka | 19 | Arka Teker |
| 8 | Baldır Desteği | 20 | Fren Mandalı |
| 9 | Alt Bağlantı | 21 | Yatırma Kolu |
| 10 | Ön Teker | 22 | Kulp Ayarlama Düğmesi/Tek Elle Katlama Kulpu |
| 11 | Depolama Sepeti | 23 | İkincil Kilit |
| 12 | Koltuk Açma Düğmesi | | |



Aksesuarlar (Dâhil olmayabilir)

- | | |
|---|-------------------------------------|
| 1 | Adaptör (bazı modellerde) |
| 2 | Yağmurluk (bazı modellerde) |
| 3 | Taşınabilir Sepet Cebi |
| 4 | Taşınabilir Sepet (bazı modellerde) |

Aksesuarlar, bölgeye bağlı olarak ayrı satılabilir veya mevcut olmayabilir.



UYARI

- ! Daima emniyet kemeri sistemini kullanın.
- ! Kullanmadan önce tüm kilitleme cihazlarının takıldığından emin olun.
- ! Çocuğun bu ürünle oynamasına izin vermeyin.
- ! Kullanmadan önce bebek arabası gövdesi, koltuk birimi veya araç koltuğu bağlantı mekanizmalarının doğru biçimde takıldığını kontrol edin.
- ! Yetişkin montajı gereklidir.
- ! Bebek arabasını aynı anda yalnızca tek bir çocukla kullanın. Bebek arabası, arkaya dönük modda 15 kg'a kadar ve ileriye dönük modda doğumdan 22 kg'a veya 4 yaşa kadar olan çocuklar için tasarlanmıştır.
- ! Bebek arabasının, arkaya dönük modda 15 kg'dan fazla veya öne dönük modda 22 kg'dan fazla bir çocukta kullanılması, bebek arabası üzerinde aşırı yıpranma ve strese neden olacaktır.
- ! Tehlikeli ve dengesiz bir durumu önlemek için, saklama sepetine 10kg'dan fazla ağırlık koymayın.
- ! Çocuğu asla gözetimsiz bırakmayın.
- ! Kulpa veya tenteye asla cüzdan, alışveriş torbası, koli ya da aksesuar koymayın.
- ! Üretici tarafından onaylanmamış aksesuarlar kullanılmamalıdır.
- ! Yalnızca üretici tarafından sağlanan veya önerilen yedek parçalar kullanılmalıdır.
- ! Yaralanmayı önlemek için, bu ürünü açarken ve katlarken çocuğun uzakta olduğundan emin olun.
- ! Bu ürün koşma veya paten yapma için uygun değildir.
- ! Doğumdan itibaren kullanılmak üzere tasarlanmış bebek arabasında, yeni doğan bebekler için en yatık pozisyonun kullanılması önerilir.
- ! Çocuğu yerleştirirken ve kaldırırken park etme donanımı etkinleştirilmelidir.

- ! Bir kızak düzeneğiyle birlikte kullanılan çocuk koltukları için, bu araç bir karyola veya yatak yerine geçmez. Çocuğunuzun uyuması gerektiğinde, uygun bir çocuk arabası gövdesine, karyolaya veya yatağa yerleştirilmelidir.
- ! Çocuk tek başına oturabilir, yuvarlanabilir ve elleri ve dizleri üzerinde kendini yukarı itebilir hale geldiği anda taşıma karyolası kullanılmamalıdır. En fazla ağırlık: 9 kg.
- ! Üretici tarafından önerilmedikçe ilave şilte eklenmemelidir.
- ! Kulpa, arkalığın sırt kısmına ve/veya aracın yan taraflarına takılan yükler aracın dengesini etkileyecektir.
- ! Arkalığın arkasındaki maksimum eşya saklama cebi 0,45 kg'dır (1 lb).
- ! Taşınabilir sepetin maksimum taşıma yükü 10 kg'dır.

Bebek Arabası Montajı

(Lütfen sayfa 1- 16'daki şekillere başvurun)

Lütfen bu ürünü monte etmeden ya da kullanmadan önce bu kılavuzdaki tüm talimatları okuyun.

Bebek Arabasını Açma

Bkz. şekil ① - ④

Depolama mandalını depolama bağlantısından ① ayırın, ardından kulpu yukarı doğru kaldırıp ② ve ③ , tıklama sesi bebek arabasının tamamen açıldığını gösterir.

! Kullanmaya devam etmeden önce, bebek arabasının mandalla tamamen kilitlendiğini kontrol edin.

Ön Teker Monte Etme ve Çıkarma

Bkz. şekil ⑤ - ⑥

Arka Teker Monte Etme ve Çıkarma

Bkz. şekil ⑦ - ⑨

Tamamen monte edilen bebek arabası şu numaralı şekilde gösterilmektedir: ⑩

Bebek Arabası İşlemi

Arkalık Ayarı

Bkz. şekil ⑪

Arkalık için 4 tane yatırma açısı vardır.

Arkalığı kaldırmak veya yatırmak için, koltuğun arkasındaki yatırma kulpunu döndürerek arkalığı aşağı çekin. ⑪

! Yatırma açısını ayarlarken, lütfen yatırma kolunun ortasındaki serbest bırakma düğmesine ⑪ - 3 basmayın.

! Yatırma açısının kullanıma uygun ayarlandığından emin olun.

! Arkalığın arkasındaki maksimum eşya saklama cebi 0,45 kg'dır.

Toka Kullanımı

Bkz. şekil ⑫ - ⑬

Tokayı Serbest Bırakın

Düğmeye basın, toka otomatik olarak açılacaktır. ⑫

Tokayı Kilitleyin

Bel kemeri tokasını omuz tokası ile eşleştirin ⑬ - 1 ve orta toka ile hizalayın; toka otomatik olarak kilitlenebilir ⑬ - 2. "Tıklama" sesi tokanın tamamen kilitlendiği anlamına gelir. ⑬ - 3

! Düşme veya kayma sonucu oluşacak ciddi yaralanmaları önlemek için, çocuğunuzu her zaman kayışla sabitleyin.

! Çocuğunuzun güvenli biçimde sabitlendiğinden emin olun. Çocuk ve omuz kayışı arasındaki mesafe yaklaşık bir el kalınlığında olmalıdır.

! Omuz kemerlerini çaprazlamayın. Bu, çocuğun boynuna basınç uygular.

Omuz ve Bel Kayışlarının Kullanımı

Bkz. şekil ⑭ - ⑮

! Çocuğunuzun düşmesini önlemek için, çocuğunuz oturağa yerleştirildikten sonra omuz ve bel kayışlarının doğru yükseklikte ve uzunlukta olup olmadığını kontrol edin.

⑭ - 1 Omuz kayışı tutturma noktası

⑭ - 2 Kayan ayarlama parçası

Daha büyük çocuk için, omuz kayışı tutturma noktası ve en yüksek omuz yuvalarını kullanın. Daha küçük çocuk için, omuz kayışı tutturma noktası ve en düşük omuz yuvalarını kullanın.

Omuz kayışı tutturma noktasının konumunu ayarlamak için, tutturma noktasını öne bakan tarafla aynı düzeyde olacak şekilde döndürün. Omuz kayışı yuvası boyunca arkadan öne doğru geçirin ⑮. Çocuğunuzun omuz yüksekliğine en yakın olan delikten tekrar geçirin. ⑮

Kayış uzunluğunu değiştirmek için kayar ayarlayıcıyı kullanın. ⑮ - 1

⑮ - 2 düğmesine basarken, bel kayışını uygun uzunluğa çekin. ⑮ - 3

Kolçağı Monte Etme ve Çıkarma

Bkz. şekil ⑯ - ⑰

Baldır Desteği Ayarı

Bkz. şekil ⑱ - ⑲

Baldır desteği 2 konuma sahiptir.

Baldır desteğini alçaltmak için, baldır desteğinin her iki tarafındaki ayar düğmelerine basın ⑲ - 1 ve baldır desteğini aşağı doğru döndürün. ⑲ - 2

Baldır desteğini yükseltmek için yukarı doğru itin. "Tıklama" sesi, baldır desteğinin tamamen kilitlendiği anlamına gelir.

Ön Döndürme Kilitinin Kullanımı

Bkz. şekil ⑳

Ön tekerlek kilitli veya kilitsiz durum: ㉔.

İpucu Düz olmayan yüzeylerde döner kilitlerin kullanılması tavsiye edilir.

Fren Kullanımı

Bkz. şekil ㉕ - ㉕

Tekerlekleri kilitlemek için fren kolunu aşağı doğru bastırın, gösterge kırmızı renkte görünür. ㉕

Tekerlekleri serbest bırakmak için fren kolunu tekrar aşağı doğru bastırın, gösterge yeşil renkte görünür. ㉕

İpucu Bebek arabası kullanılmıyorken her zaman park frenine alın.

Tente Kullanımı

Bkz. şekil ㉖ - ㉖

Tente açılabilir veya katlanabilir; öne ya da arkaya doğru çekin. ㉖

Çocuğunuzu güneşten en iyi şekilde korumak için tente tamamen açılabilir, fermuarı açmanız ㉖ ve ardından tenteyi öne doğru çekmeniz yeterlidir.

Tentede, bebeğinizi görebilmenizi sağlayan bir pencere vardır. ㉖

Tente gösterilen şekilde ayrılabilir ㉖

Kulpu Ayarlama

Bkz. şekil ㉗

Kolda 5 konum vardır.

Oturak Yüksekliğini Ayarlama

Bkz. şekil ㉘

Koltukta 3 konum vardır.

Koltuk yüksekliği ayarlama düğmelerine basın ve koltuk yüksekliğini artırmak için yukarı çekin veya koltuk yüksekliğini azaltmak için aşağı doğru bastırın. ㉘

Oturak Değişimi

Bkz. şekil ㉙ - ㉙

Koltuk, anne ve çocuğun birbiriyle yüz yüze gelmesini sağlayacak şekilde değiştirilebilir.

Koltuk serbest bırakma düğmelerini kaydırırken koltuğu kaldırın. Koltuğu ters yöne çevirin ve ardından koltuk bağlantılarına yerleştirin.

Her iki koltuk bağlantısının da ㉚ ile gösterildiği gibi terazide olması gerekir; ㉚ ve ㉚ ile gösterilen durum olursa, lütfen koltuk yüksekliği ayarlama düğmesine basın ve her iki koltuk bağlantısının da düz olmasını sağlamak için koltuk bağlantısını ayarlamak için yukarı çekin veya aşağı doğru itin. ㉚

Omuz Kayışı Kılıfı ve Kasık Kayışı Kılıfı Kullanımı

Bkz. şekil 42

Omuz kayışı kılıfı ya da kasık kayışı kılıfı şeritten çıkarılabilir.

Omuz kayışı kılıfını ve kasık kayışı kılıfını takmak için adımları ters yönde izleyin.

Bebek Arabasını Katlama

Bkz. şekil 43 - 45

! Lütfen bebek arabasından önce tenteyi katlayın.

! Yatırma kolunun ortasındaki düğme, oturağın katlanması için kullanılır. 43 - 1

! Katlanmış bebek arabası, tutamağın en yüksek konumda olduğu durumlar dışında ayakta durabilir.

! Ön tekerlek dönme kilidi kilitliken lütfen çerçeveyi katlamayın.

! Depolama mandalı otomatik olarak depolama bağlantısına geçecek, ardından bebek arabası tamamen katlanıp kilitlenecektir. 47 ve 48

Koltuk Seçeneği Kullanımı

Bkz. şekil 50 - 52

Bebek arabası ikili modda veya tekli modda kullanılabilir. Bebek arabası çerçevesini koltuk (Versiti Kardeş Koltuğu), taşınabilir sepet, Joie taşıma karyolası (ramble, ramble xl ve calmi) veya Joie çocuk koltuğu (i-Sung 2, i-Gemm 3, i-Jemini, sprint ve i-Level Pro) ile birlikte kullandığınızda lütfen aşağıdaki talimatlara başvurun.

! Bazı modellerde tüm aksesuarlar dâhil DEĞİLDİR ve tüm modlara izin verilmez.

! İkili mod kullanıldığında üst bağlantı en yüksek konuma veya orta konuma ayarlanmalıdır. Üst bağlantının özel konumu için lütfen şek. 50 'ye bakın.

! Tekli modu kullanırken yalnızca üst bağlantıyla kullanılır. Koltuk, taşıma karyolası veya çocuk koltuğu orta veya en alçak konuma ayarlanmalıdır, taşınabilir sepet yalnızca en alçak konuma ayarlanmalıdır. 51 ve 52

! Bebek arabası çerçevesini, koltuk, taşınabilir sepet, taşıma karyolası veya çocuk koltuğu ile birlikte aşağıda gösterildiği gibi KULLANMAYIN 53

Aksesuarların Kullanımı

Aksesuarlar, bölgeye bağlı olarak ayrı satılabilir veya mevcut olmayabilir.

Taşınabilir Sepetle Kullanım

Bkz. şekil 54 - 56

Taşınabilir sepet ile kullanırken, lütfen aşağıdaki talimatlara başvurun.

! Taşınabilir sepeti takmadan önce lütfen her iki taraftaki bağlantıyı açın. 54

! Taşınabilir sepeti, çocuk koltuğu takılı durumdayken katlamayın.

Üst Bağlantı Üzerinde Çocuk Koltuğuyla Kullanım

Bkz. şekil 57 - 59

Joie çocuk koltuğuyla kullanırken lütfen aşağıdaki talimatlara başvurun.

! Adaptörlerdeki harfler çerçeve plastiğindeki harflerle aynıdır. 57

! "Tıklama" sesi adaptörlerin tamamen kilitlendiği anlamına gelir.

! Bebek taşıyıcı açısı ayarlanabilir adaptörlerimizle ayarlanabilir. 58

! Adaptörlerde 3 konum vardır. Lütfen ürünü, bebek çocuk koltuğuna takıldıktan sonra bebeğin başı ayaklardan aşağıda ise kullanmayın.

! Bebek arabasını, çocuk koltuğu takılı durumdayken katlamayın.

! Çocuk koltuğunu kullanma konusunda herhangi bir sorun yaşarsanız, lütfen ilgili talimat kılavuzlarına başvurun.

Üst Bağlantı Üzerinde Joie Taşıma Karyolası İle Kullanım

Bkz. şekil 60 - 62

Joie taşıma karyolasını kullanırken lütfen aşağıdaki talimatlara başvurun.

! "Tıklama" sesi adaptörlerin tamamen kilitlendiği anlamına gelir.

! Lütfen ürünü, taşıma karyolasına takıldıktan sonra bebeğin başı ayaklardan aşağıda ise kullanmayın.

! Karyolayı kullanırken her zaman şilteyi de kullanın.

! Portatif karyolayı takarken lütfen bebek arabasını katlamayın.

! Karyolayı kullanma konusunda herhangi bir sorun yaşarsanız, lütfen ilgili talimat kılavuzlarına başvurun.

Alt Bağlantı Üzerinde Çocuk Koltuğuyla ve Taşınabilir Karyolayla Kullanım

Bkz. şekil 63 - 74

Joie çocuk koltuğuyla ve taşıma karyolasıyla kullanırken lütfen aşağıdaki talimatlara başvurun.

! Lütfen kullanmadan önce her iki taraftaki alt bağlantıyı dışarı doğru çekin. 74

! Alt bağlantı, her iki taraftaki düğmelere basılarak katlanabilir. 71

! Direk adaptörlerindeki harfler çerçeve plastiğindeki harflerle aynıdır. 72

! "Tıklama" sesi adaptörlerin tamamen kilitlendiği anlamına gelir.

! Bebek taşıyıcı açısı ayarlanabilir adaptörlerimizle 3 konumda ayarlanabilir. 63

! Lütfen çocuk koltuğu veya taşıma karyolası takıldıktan sonra bebeğin başı ayaklarından daha aşağıda olduğunda ürünü kullanmayın.

! Karyolayı kullanırken her zaman şilteyi de kullanın.

! Çocuk koltuğunu veya taşıma karyolasını takarken lütfen bebek arabasını veya portatif karyolayı katlamayın.

! Çocuk koltuğunu ve taşıma karyolasını kullanma konusunda herhangi bir sorun yaşarsanız, lütfen ilgili talimat kılavuzlarına başvurun.

Yağmurluk Kullanımı

Bkz. şekil 75

Yağmurluğu kurmak için, koltuğun üzerine yerleştirin.

! Yağmurluğu kullanırken lütfen her zaman havalandırmasını kontrol edin.

! Kullanılmıyorken, lütfen katlamadan önce yağmurluğun temizlenmiş ve kurumuş olduğunu kontrol edin.

! Yağmurluğu taktıktan sonra bebek arabasını katlamayın.

! Sıcak havalarda, çocuğunuzu bebek arabasına yağmurluk takılı olarak oturtmayın.

Temizlik ve Bakım

Bkz. şekil 76

! Bebek arabası çerçevesini temizlemek için yalnızca ev sabunu ve ılık su kullanın. Çamaşır suyu ya da deterjan kullanmayın. Bebek arabasının kumaş parçalarının temizliği konusunda yönergeler için lütfen bakım etiketine başvurun.

! Çıkarılabilir tekstil malzemeleri çamaşır makinesinde yıkanabilir. Çamaşır suyu kullanmayın. Koltuk kaplamasını ve iç pedi kurutmak amacıyla güç uygulayarak sıkmayın. Bu, koltuk kaplamasında ve iç altlıkta kırışıklıklara neden olabilir.

! Bebek arabanızı gevşeyen vidalar, eskimiş parçalar, yırtık malzeme ya da sökülmüş dikiş olup olmadığını tespit etmek için ara sıra kontrol edin. Parçaları gerektiğinde değiştirin veya onarın. Plastik parçaları düzenli olarak yumuşak, nemli bir bezle silerek temizleyin. Bebek arabası suyla temas ederse, pas oluşumunu önlemek için metal parçaları mutlaka kurulayın.

! Güneşe ya da ısıya uzun süre maruz kalması halinde parçaların rengi solabilir ya da biçimsel bozulmalar görülebilir.

! Bebek arabası ıslanırsa, tenteyi açın ve saklamadan önce iyice kurumasını bekleyin.

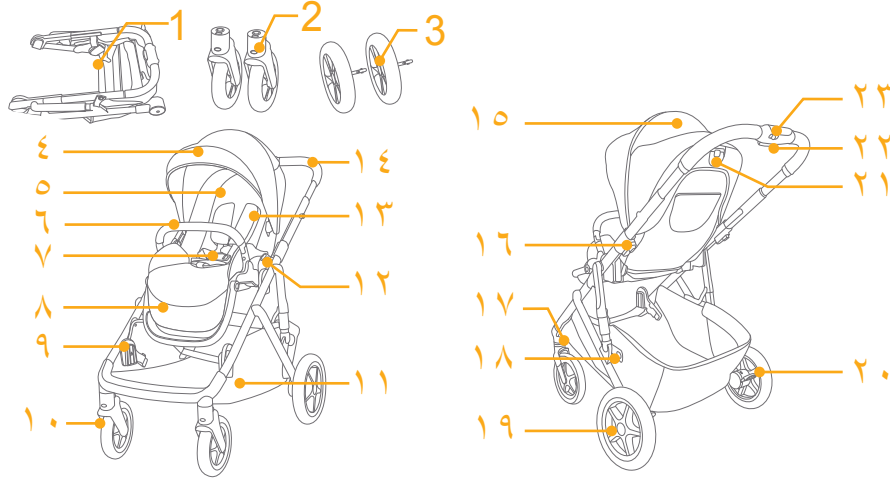
! Tekerler gıcırdaysa, hafif bir yağ (örneğin Silikon Sprey, paslanma önleyici yağ ya da dikiş makinesi yağı) kullanın. Yağı, aks ve teker donanımına uygulamak önemlidir. 76

! Bebek arabanızı plajda veya başka kumlu/tozlu ortamlarda kullanırken, mekanizmalar ve teker donanımlarındaki kumu ve tuzu gidermek için, bebek arabanızı kullanım sonrasında tamamen temizleyin.

قائمة الأجزاء

تأكد من توفر جميع الأجزاء قبل التجميع. يرجى الاتصال بالموزع المحلي في حالة غياب أي جزء. لا داعٍ لاستخدام أية أدوات للتجميع.

١٣ حزام الكتف	١٤ المقبض	١٥ نافذة المظلة	١٦ زرا ضبط ارتفاع المقعد	١٧ القفل الدوار	١٨ مزلاج التخزين	١٩ العجلة الخلفية	٢٠ ذراع الفرامل	٢١ زر ضبط الانحناء	٢٢ زر ضبط المقبض/مقبض يُطوى	بيد واحدة	٢٣ القفل الثانوي
١ إطار عربة الأطفال	٢ العجلتان الأماميتان	٣ العجلتان الخلفيتان	٤ المظلة	٥ وسادة المقعد	٦ مسند الذراعين	٧ إبزيم	٨ مسند الساقين	٩ الكتيقة السفلية	١٠ العجلة الأمامية	١١ سلة التخزين	١٢ زر تحرير المقعد



تهانينا لانضمامك إلى عائلة Joie! إننا في غاية السعادة لاشتراكنا في رحلتك مع طفلك الصغير؛ حيث يضمن لك السير مع Joie versiti أنك تستخدم عربة أطفال عالية الجودة ومعتمدة بالكامل ومطابقة لمعايير السلامة الأوروبية -EN 1888-2:2018+A1:2022. صُممت عربة الأطفال هذه للأطفال من سن الميلاد وحتى ١٥ الوضع المواجه للخلف، ومن الولادة حتى ٢٢ كجم أو ٤ سنوات، أيهما يأتي أولاً، في الوضع المواجه للأمام. يرجى قراءة هذا الدليل بعناية واتباع كل خطوة فيه لضمان قيادة مريحة وتوفير أفضل حماية لطفلك.

مهم: اقرأ التعليمات بعناية واحتفظ بها للرجوع إليها مستقبلاً.

زوروا موقعنا الإلكتروني joiebaby.com لتحميل أدلة الاستخدام ومشاهدة منتجات Joie المشوقة!

للاطلاع على معلومات الضمان؛ يرجى زيارة موقعنا على الويب، وعنوانه joiebaby.com

الطوارئ

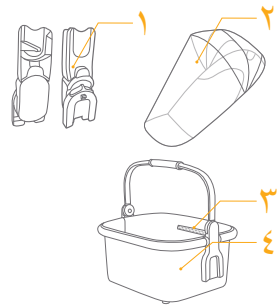
في حالات الطوارئ أو الحوادث، يرجى العناية بالطفل عن طريق القيام بالإسعافات الأولية وتقديم العلاج الطبي فوراً.

الملحقات

(قد لا تكون مرفقة)

- ١ المهائئ (في طرز معينة)
- ٢ الغطاء الواقي من المطر (في طرز معينة)
- ٣ جيب السلة المحمولة باليد
- ٤ السلة المحمولة باليد (في طرز معينة)

قد يتم بيع الملحقات فردياً أو قد لا تكون متاحة وفقاً للمنطقة.



سرير طفل محمول أو سرير ثابت.

- ! لا يُستخدم سرير الطفل المحمول بمجرد أن يصبح الطفل قادرًا على الجلوس بمفرده والتدحرج والشب على يديه وركبتيه. الحد الأقصى لوزن الطفل: ٩ كجم
- ! لا يُسمح بإضافة مراتب أخرى ما لم يوصى المصنّع بذلك.
- ! لا تربط أشياء بالمقبض أو ظهر المقعد أو جوانب عربة الأطفال لأنها ستؤثر على ثباتها.
- ! الحد الأقصى لحمولة جيب التخزين الموجود خلف مسند الظهر هو ٠,٤٥ كجم (رطل واحد).
- ! الحد الأقصى لحمولة السلة المحملة باليد هو ١٠ كجم.

- ! احرص دائمًا على استخدام نظام تقييد حركة الطفل.
- ! تأكد من تأمين كافة أجهزة القفل قبل الاستخدام.
- ! لا تدع الطفل يعبت بهذا المنتج.
- ! تحقق من صحة تعشيق هيكل العربة أو وحدة المقعد أو أدوات تثبيت المقعد قبل الاستخدام.
- ! يجب التجميع بواسطة شخص بالغ.
- ! استخدم العربة لحمل طفل واحد فقط في كل مرة. صُممت عربة الأطفال هذه للأطفال من سن الميلاد وحتى ١٥ كجم في الوضع المواجه للخلف، ومن الميلاد حتى ٢٢ كجم أو ٤ سنوات، أيهما يحل أولاً، في الوضع المواجه للأمام.
- ! سيؤدي استخدام العربة مع طفل يزن أثقل من ١٥ كجم في وضع المواجهة للخلف أو أثقل من ٢٢ كجم في وضع المواجهة للأمام إلى زيادة البلى والضغط والإجهاد الواقع على هذه العربة.
- ! لتفادي الحالات الخطرة أو غير المستقرة، يجب ألا تزيد حمولة سلة التخزين عن ١٠ كجم.
- ! لا تترك الطفل أبدًا دون مراقبة.
- ! ولا تضع أبدًا حقائب يد أو حقائب تسوق أو طرودًا أو إكسسوارات على المقبض أو المظلة.
- ! يجب عدم استخدام قطع الغيار غير المعتمدة من قبل الجهة المصنّعة.
- ! فيجب عدم استخدام إلا قطع الغيار المرفقة أو الموصى بها من قبل الجهة المصنّعة.
- ! تأكد من إبعاد الطفل عند بسط العربة أو طيها لتجنب إلحاق أي ضرر به.
- ! هذا المنتج غير مناسب للاستخدام أثناء الجري أو الترحلق.
- ! صُممت عربة الأطفال لاستخدامها منذ لحظة الولادة، ويفضل استخدام وضعيّة الانحناء المصممة خصيصًا للأطفال حديثي الولادة.
- ! يجب تعشيق المكابح عند وضع أطفال في العربة وإخراجهم منها.
- ! لا تستبدل هذه العربة بسرير الطفل أو الفراش وذلك في مقاعد السيارات المقترنة بهيكل السيارة. وفي حالة رغبة الطفل في النوم، يجب وضعه في مهد مناسب بعربة الطفل أو

تجميع عربية الأطفال

(يرجى الرجوع إلى الأشكال الموضحة بالصفحات ١-١٦)

يرجى قراءة كل التعليمات الواردة في هذا الدليل قبل تجميع المنتج واستخدامه.

فتح عربية الأطفال

راجع الصورتين ١ - 3

افصل مزلاج التخزين عن كُنيفته ١، ثم ارفع المقبض لأعلى ١ و ٢، و ارفع المقعد لأعلى

! تحقق من قفل مزلاج العربية بالكامل قبل المتابعة.

تركيب وفصل العجلة الأمامية

راجع الصورتين ٥ - ٦

تركيب وفك العجلات الخلفية

راجع الصورتين ٧ - ٩

تم توضيح تعليمات تركيب العربية بالكامل على النحو ١٠

تشغيل العربية

ضبط مسند الظهر

راجع الصورة ١

تتوفر ٤ زوايا لإمالة مسند الظهر.

لرفع مسند الظهر أو إمالته للخلف، لف مقبض الإمالة الموجود في خلف المقعد، واسحب مسند الظهر لأسفل. ١

! يرجى عدم الضغط على زر التحرير ١ - ٣ في منتصف مقبض الإمالة عند ضبط زاوية الإمالة.

! تأكد من ضبط الإمالة على وضع مناسب للاستخدام.

! الحد الأقصى لحمولة جيب التخزين الموجود خلف مسند الظهر هو ٠,٤٥ كجم.

استخدام إبزيم الحزام

راجع الصورتين ١١ - ١٢

تحرير الإبزيم

اضغط على الزر وسيتم تحرير الإبزيم تلقائيًا. ١٣

قفل الإبزيم

طابق بين إبزيم حزام الخصر وإبزيم حزام الكتف ١٤ - ١١، وقم بمحاذاتهما مع الإبزيم الأوسط، ويمكن عندئذٍ قفل الإبزيم تلقائيًا ١٤ - ١٢. يشير سماع صوت "نقرة" إلى قفل الإبزيم بالكامل. ١٥ - ٣

! لنقادي وقوع إصابات بالغة ناجمة من الوقوع أو الانزلاق، احرص دائمًا على تأمين طفلك باستخدام الحزام.

! تأكد من تثبيت طفلك بإحكام، وأن المسافة بين الطفل ومجموعة أحزمة الكتف تساوي سُمك يد واحدة تقريبًا.

! لا تضع أحزمة الكتف بشكل متقاطع؛ فهذا سيؤدي إلى الضغط على رقبة الطفل.

استخدام مجموعة أحزمة الكتف والخصر

راجع الصورتين ١3 - ١5

! لحماية طفلك من السقوط بعد وضعه في المقعد، تحقق من وجود مجموعتي أحزمة الكتف والخصر على ارتفاع وطول مناسبين.

١٤ - ١ نقطة تثبيت مجموعة أحزمة الكتف

١٤ - ٢ ضابط الانزلاق

استخدم مثبت حزام الكتف والفتحات العلوية للحزام مع الأطفال ذوي الحجم الكبير. استخدم مُثبت حزام الكتف والفتحات السفلية للحزام مع الأطفال ذوي الحجم الصغير.

لضبط وضع مُثبت حزام الكتف، قم بإدارة المُثبت ليكون في نفس مستوى الجانب المتجه للأمام. أدخل الحزام عبر فتحة مجموعة أحزمة الكتف من الخلف إلى الأمام ١٧. وقم بإعادة إدخاله من خلال الفتحة الأقرب لمستوى ارتفاع كتف الطفل. ١٨

استخدم ضابط الانزلاق لتغيير طول الحزام. ١٥ - ١

اضغط على الزر ١٥ - ٢ في أثناء سحب مجموعة أحزمة الخصر إلى الطول المناسب. ١٥ - ٣

تركيب وفصل الذراع

راجع الصورتين ١٦ - ١٦

ضبط مسند الساقين

راجع الصورتين ١٦ - ١٤

يوجد موضعان لضبط مسند الساقين.

لخفض مسند الساقين، اضغط على زري الضبط في كلا جانبي مسند الساقين ١٦ - ١ ثم لف مسند الساقين لأسفل. ١٦ - ٢

لرفع مسند الساقين، ادفعه لأعلى. ويشير سماع صوت "نقرة" إلى قفل مسند الساقين بالكامل.

استخدام القفل الدوار الأمامي

راجع الصورة ١٤

حالة العجلة الأمامية وهي مقفلة أو غير مقفلة كما في ١٤.

تنميح يُوصى باستخدام الأقفال الدوارة مع الأسطح غير المستوية.

استخدام المكابح

راجع الصورتين ١٦ - ١٧

لقفل العجلات، اضغط بقدمك على ذراع المكابح نحو الأسفل، وسيضيء المؤشر باللون الأحمر. ١٦

لتحرير العجلات، اضغط بقدمك مرة أخرى على ذراع المكابح نحو الأسفل، وسيضيء المؤشر باللون الأخضر. ١٧

تنميح احرص دائمًا على تأمين المكابح عند وقوف العربية.

استخدام المظلة

راجع الصورتين ١٨ - ١٨

يمكن فتح المظلة أو طيها، قم بسحبها نحو الإمام أو الخلف. ١٨

يمكن فتح المظلة بالكامل لحماية طفلك من أشعة الشمس تمامًا؛ فكل ما عليك هو فتح الزمام المنزلق (السوستة) ١٩ ، ثم سحب المظلة في اتجاه مقدمة العربية.

هناك نافذة على المظلة، يمكنك من خلالها مشاهدة طفلك. ٢٠

يمكن فصل المظلة كما هو موضح في ٢١

ضبط المقبض

راجع الصورة ٢١

توجد ٥ وضعيات لضبط المقبض.

ضبط ارتفاع المقعد

راجع الصورة ٢٢

توجد ٣ مواضع لضبط المقعد.

اضغط على زري ضبط ارتفاع المقعد واسحبه لأعلى لزيادة ارتفاعه أو ادفعه لأسفل لتقليله. ٢٢

تبديل وضع المقعد

راجع الصورتين ٢3 - ٢١

يمكن تبديل وضع المقعد لتمكين الأم والطفل من الجلوس وجهاً لوجه.

اضغط على زري تحرير المقعد أثناء رفع المقعد، ولف المقعد إلى الاتجاه المعاكس، ثم أدخل المقعد في كتيفتي تثبيته.

يجب أن تكون كلتا كُنيفتي تثبيت المقعد مستوية كما هو موضح في ٢٣؛ وإذا حدثت الحالات المبينة في ٢٣ و ٢٤، يرجى الضغط على زر ضبط ارتفاع المقعد وسحبه لأعلى أو دفعه لأسفل لضبط كتيفة المقعد للتأكد من استواء كلتا كتيفتي تثبيت المقعد. ٢٤

استخدام غطاء حسام الكتف وغطاء الحزام المفروق للسائقين

راجع الصورة ٤١

يمكن فصل غطاء حزام الكتف أو غطاء مفروق السائقين من النسيج. لت تركيب غطاء مجموعة أحزمة الكتف وغطاء مجموعة أحزمة مفروق السائقين بخطوات عكسية.

طي عربة الأطفال

راجع الصورتين ٤١ - ٤٢

! يرجى طيّ المظلة قبل طيّ العربة.

! يستخدم الزر الموجود في منتصف مقبض الانحناء لطي المقعد. ٤٢ - ١

! يمكن إيقاف العربة المطوية في وضعية عمودية ما لم يكن المقبض في الموضع الأعلى.

! يرجى عدم طي الإطار عندما يكون القفل الدوار للعجلة الأمامية معشّفاً.

! وهنا سيتعلق مزلاج التخزين بصورة أوتوماتيكية بمزلاج التثبيت، ثم تُطوى العربة بالكامل ويُحکم إغلاقها. ٤١ و ٤٢

استخدام خيارات المقعد

راجع الصورتين ٤٣ - ٤٤

يمكن استخدام العربة في الوضع المزدوج أو الوضع الأحادي. عند استخدام إطار العربة مع المقعد أو السلة المحمولة باليد أو(مقعد مزدوج (Versiti) سرير الطفل المحمول من Joie (طرز ramble xl وramble وcalmi) أو نظام تثبيت حركة الطفل من Joie (طرز 2 i-Sung و3 i-Gemm وi-Jemini و i-Level Pro و sprint)، يرجى الرجوع إلى التعليمات التالية.

! ليست جميع الملحقات مرفقة ببعض الطرّز وليست جميع الأوضاع مسموح باستخدامها.

! عند استخدام الوضع المزدوج، يجب ضبط الحامل العلوي على الموضع الأعلى أو الموضع الأوسط. يرجى الرجوع إلى الشكل ٤٥ للاطلاع على الموضع الخاص بالحامل العلوي.

! عند استخدام الموضع الأحادي، يتمّ الاستخدام مع الكُتيفة العلوية فقط. يجب ضبط المقعد أو سرير الطفل المحمول أو نظام تثبيت حركة الطفل على الموضع الأوسط أو الأدنى ارتفاعاً، ويجب ضبط السلة المحمولة باليد على الموضع الأدنى ارتفاعاً فقط. ٤٥ و ٤٦

! لا تستخدم إطار العربة مع المقعد أو السلة المحمولة باليد أو سرير الطفل المحمول أو نظام تثبيت حركة الطفل كما في ٤٧

استخدام الملحقات

قد يتم بيع الملحقات فريدياً أو قد لا تكون متاحة وفقاً للمنطقة.

استخدام السلة المحمولة باليد

راجع الصورتين ٤٤ - ٤٥

عند الاستخدام مع السلة المحمولة باليد، يرجى الرجوع إلى التعليمات التالية.

! يُرجى فتح كُتيفة التثبيت على كلا الجانبين قبل تثبيت السلة المحمولة باليد. ٤٥

! يرجى عدم طي العربة والسلة المحمولة باليد ما زالت مرکّبة بها.

الاستخدام مع نظام تثبيت حركة الطفل على الكُتيفة العلوية

راجع الصورتين ٤٦ - ٤٧

عند الاستخدام مع نظام تثبيت حركة الطفل من Joie، يرجى اتباع التعليمات التالية.

! الحروف الموجودة على المهايئات هي نفسها تلك الموجودة على بلاستيك الإطار. ٤٦

! يشير سماع صوت "نقرة" إلى قفل المهايئات بالكامل.

! يمكن ضبط زاوية نظام تثبيت حركة الطفل باستخدام مهايئاتنا القابلة للضبط. ٤٧

! توجد ٣ مواضع لضبط المهايئات. يرجى عدم استخدام المنتج عندما يكون رأس الطفل منخفضاً عن القدمين بعد تركيب نظام تثبيت حركة الطفل.

! برجاء عدم طي العربة في الوقت الذي لا يزال فيه نظام تثبيت حركة الطفل مركّباً.

! يُرجى الرجوع إلى دليل التعليمات الخاص بنظام تثبيت حركة الطفل، عند مواجهة أية مشكلة أثناء استخدامها.

الاستخدام مع سرير الطفل المحمول من Joie على الكُتيفة العلوية

راجع الصورتين ٤٧ - ٤٨

عند الاستخدام مع سرير الطفل المحمول من Joie، يرجى الرجوع إلى التعليمات التالية.

! يشير سماع صوت "نقرة" إلى قفل المهايئات بالكامل.

! يرجى عدم استخدام المنتج عندما يكون رأس الطفل منخفضاً عن القدمين بعد تركيب سرير الطفل المحمول.

! استخدم المرتبة باستمرار عند استخدام سرير الطفل المحمول.

! يرجى عدم طي العربة عند تركيب سرير الطفل المحمول.

! تُرجى الرجوع إلى دليل التعليمات الخاص بخقائب حمل الطفل عند مواجهة أية مشكلة أثناء استخدامها.

الاستخدام مع نظام تثبيت حركة الطفل وسرير الطفل المحمول على الكُتيفة السفلية

راجع الصورتين ٤٨ - ٤٩

عند الاستخدام مع نظام تثبيت حركة الطفل من Joie وسرير الطفل المحمول، يرجى اتباع التعليمات التالية.

! يرجى سحب الكُتيفة السفلية لأسفل على كلا الجانبين قبل الاستخدام. ٤٨

! يمكن طي الكُتيفة السفلية بالضغط على الأزرار على كلا الجانبين. ٤٩

! الحروف الموجودة على دعائم المهايئات هي نفسها تلك الموجودة على بلاستيك الإطار. ٤٩

! يشير سماع صوت "نقرة" إلى قفل المهايئات بالكامل.

! يمكن ضبط زاوية نظام تثبيت حركة الطفل في ٣ مواضع باستخدام مهايئاتنا القابلة للضبط. ٤٩

! يرجى عدم استخدام المنتج عندما يكون رأس الطفل منخفضاً عن القدمين بعد تركيب نظام تثبيت حركة الطفل أو سرير الطفل المحمول.

! استخدم المرتبة باستمرار عند استخدام سرير الطفل المحمول.

! يرجى عدم طي العربة عند تركيب نظام تثبيت حركة الطفل أو سرير الطفل المحمول.

! إذا واجهتكم أي مشكلات في استخدام نظام تثبيت حركة الطفل وسرير الطفل المحمول، يرجى الرجوع إلى أدلة تعليماتهما.

استخدام الغطاء الواقي من المطر

راجع الصورة ٤٥

لت تركيب غطاء المطر ، ضعه أعلى المقعد.

! عند استخدام الغطاء الواقي من المطر ، يرجى التأكد من تهويته باستمرار.

! في حالة عدم استخدام الغطاء الواقي من المطر ، تأكد من تنظيفه وتجفيفه قبل طيه.

! يُرجى عدم طيّ العربة بعد تركيب الغطاء.

! تجنب وضع الطفل في عربة الأطفال المثبت بها الغطاء الواقي من المطر في حالة الطقس الحار.

التنظيف والصيانة

راجع الصورة ٤٦

! لتنظيف إطار العربة، استخدم صابونًا منزليًا وماء دافئًا فقط. ويحظر استخدام أية منظفات أو مبيضات. يُرجى الرجوع إلى ملصق العناية للحصول على تعليمات حول تنظيف قطع قماش العربة.

! يمكن غسل الأجزاء اللينة القابلة للإزالة في الغسالة. يحظر استخدام مبيضات. تجنب عصر غطاء المقعد والبطانة الداخلية لتجفيفهما بقوة مفرطة؛ وإلا، فقد تتكون تجاعيد في الغطاء والبطانة.

! تحقق من وقت الآخر من عدم وجود أجزاء تالفة أو أقمشة ممزقة أو براغي مفكوكة أو غرز خياطة ممزقة. واحرص على استبدال الأجزاء التالفة أو إصلاحها عند الحاجة. امسح الأجزاء البلاستيكية ونظفها بصورة دورية باستخدام قطعة قماش مبللة. قم بتجفيف الأجزاء المعدنية دافئًا لتجنب تكوين الصدأ، في حالة تعرض العربة للماء.

! قد يتسبب التعرض المفرط لأشعة الشمس أو الحرارة في بهتان ألوان الأجزاء وانبعاثها.

! في حالة بلل عربة الأطفال، افتح الغطاء واتركها لتجف جيدًا قبل تخزينها.

! إذا سمعت صرير من العجلات، فاستخدم زيتًا خفيفًا (مثل بخاخ سيلكون أو زيت مقاوم للصدأ أو زيت ماكينة خياطة). ويُوصى بوضع الزيت داخل تركيبات العجلات والمحور. ٤٦

! عند استخدام عربة الأطفال على الشاطئ أو على أي بيئة رملية/ملبدة بالغبار ، احرص على تنظيف تركيبات العجل والمعدات من الرمال والملح جيدًا بعد الاستخدام.

Čestitamo vam što ste postali član obitelji Joie! I mi smo uzbuđeni što možemo postati dijelom vašeg putovanja uz vašeg mališana. Dok putujete s Joie versiti, znajte da koristite visokokvalitetna, potpuno certificirana dječja kolica odobrena prema europskim normama o sigurnosti EN 1888-2:2018+A1:2022. Dječja kolica namijenjena su novorođenčadi i djeci težine do 15 kg ako je dijete okrenuto suprotno od smjera vožnje i od rođenja do 22 kg ili 4 godine života, što god se prije pojavi ako je dijete okrenuto u smjeru vožnje. Pažljivo pročitajte ovaj priručnik i slijedite svaki postupak iz uputa kako biste osigurali udobnu vožnju i najbolju zaštitu za svoje dijete.

VAŽNO - PROČITAJTE PAŽLJIVO I SAČUVAJTE ZA BUDUĆU UPORABU.

Posjetite joiebaby.com kako biste preuzeli priručnike i pregledali i ostale izvrsne i praktične Joie proizvode!

Za informacije o jamstvu posjetite web stranicu joiebaby.com

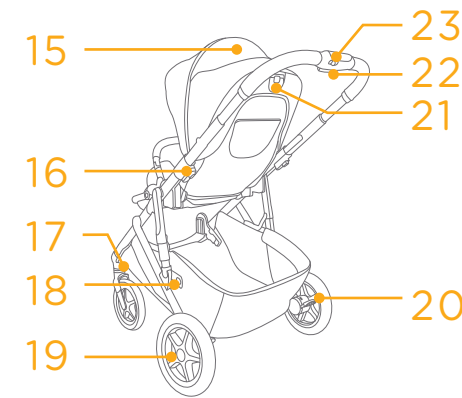
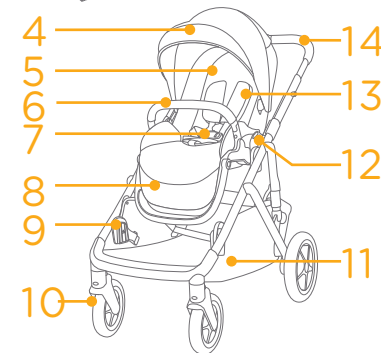
Hitan slučaj

U hitnom slučaju ili ako se dogodi nesreća najvažnije je pobrinuti se za dijete i odmah mu pružiti prvu pomoć i zdravstvenu skrb.

Popis dijelova

Prije sastavljanja provjerite jesu li raspoloživi svi dijelovi. Ako bilo koji dio nedostaje kontaktirajte lokalnog prodavača. Za sastavljanje nije potreban alat.

- | | | | |
|----|-------------------------------|----|-------------------------------------------------------------|
| 1 | Okvir dječjih kolica | 13 | Trake za pričvršćivanje djetetovih ramena |
| 2 | Prednji kotačići | 14 | Ručka |
| 3 | Stražnji kotačići | 15 | Prozorčić na krovu |
| 4 | Krović | 16 | Gumbi za podešavanje visine sjedalice |
| 5 | Jastučić sjedalice | 17 | Blokada okretanja |
| 6 | Prečka za ruke | 18 | Poluga za pohranu |
| 7 | Kopča | 19 | Stražnji kotačić |
| 8 | Potpoda za noge | 20 | Poluga kočnice |
| 9 | Donji nosač | 21 | Ručka za naginjanje |
| 10 | Prednji kotačić | 22 | Gumb za podešavanje ručke / ručka za sklapanje jednom rukom |
| 11 | Košara za odlaganje | 23 | Sekundarna brava |
| 12 | Gumb za oslobađanje sjedalice | | |

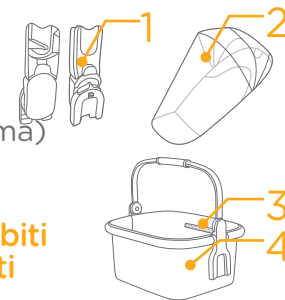


Dodatna oprema

(Možda nije uključena u isporuku)

- | | | | |
|---|----------------------------------|---|----------------------------------------|
| 1 | Adapter (na nekim modelima) | 2 | Pokrov protiv kiše (na nekim modelima) |
| 3 | Džep za ručnu košaru | | |
| 4 | Ručna košara (na nekim modelima) | | |

Ovisno o regiji dodatna oprema može biti zasebno u prodaji ili uopće ne mora biti raspoloživa.



UPOZORENJE

- ! Uvijek koristite sustav sigurnosnih pojaseva za pričvršćivanje djeteta.
- ! Prije uporabe provjerite jesu li uređaji za blokadu aktivirani.
- ! Ne dopustiti djetetu da se igra ovim proizvodom.
- ! Prije upotrebe provjerite jesu li košara za bebu, sjedalice ili uređaji za postavljanje i pričvršćivanje na sjedalo u automobilu pravilno smješteni i aktivirani.
- ! Sastavljanje treba vršiti odrasla osoba.
- ! U dječjim kolicima smije biti samo jedno dijete. Dječja kolica namijenjena su novorođenčadi i djeci težine do 15 kg ako je dijete okrenuto suprotno od smjera vožnje i od rođenja do 22 kg ili 4 godine života, što god se prije pojavi ako je dijete okrenuto u smjeru vožnje.
- ! Korištenje dječjih kolica s djetetom težim od 15 kg koje sjedi obrnuto od smjera vožnje ili djetetom težim od 22 kg koje sjedi u smjeru vožnje prouzročit će veliki pritisak na ova dječja kolica i njihovo brže trošenje.
- ! Ne stavljajte više od 10kg u košaru za odlaganje kako biste spriječili opasne situacije i nestabilna stanja.
- ! Nikad ne ostavljajte dijete bez nadzora.
- ! Ne stavljajte torbice, torbe za kupovinu, pakete niti stavke dodatne opreme na ručku niti na krovčić.
- ! Nije dozvoljeno korištenje dodatne opreme koju proizvođač nije odobrio.
- ! Potrebno je koristiti isključivo one zamjenske dijelove koje isporučuje ili je preporučio proizvođač.
- ! Prilikom sklapanja i rasklapanja ovog proizvoda udaljite dijete kako se ne bi ozlijedio.
- ! Ovaj proizvod nije prikladan za trčanje ili rolanje.
- ! Dječja kolica koja su namijenjena za dijete od rođenja treba do kraja spustiti u najniži položaj kad se koristi za novorođenče.
- ! Prilikom stavljanja i vađenja djece iz dječjih kolica uvijek je potrebno aktivirati kočnicu za parkiranje.
- ! Dječje autosjedalice koje se koriste s bazom kolica ne mogu zamijeniti sklopivi ili običan dječji krevetić. Ako dijete treba spavati stavite ga u odgovarajuću košaru za bebu, sklopivi ili običan dječji krevetić.
- ! Košara za bebu ne smije se više koristiti čim je dijete sposobno samostalno sjediti, prekrenuti se ili se odgurnuti i podignuti na ruke i koljena. Maksimalna težina djeteta: 9 kg.
- ! Nije dozvoljeno dodavati bilo kakav madrac osim ako to proizvođač ne preporučuje.
- ! Svaki teret postavljen ili obješen na ručku i / ili na stražnju stranu naslona i / ili na bočne strane dječjih kolica utjecat će na njihovu stabilnost.
- ! Maksimalno opterećenje džepa za odlaganje na stražnjoj strani naslona je 0,45 kg (1 lb).
- ! Maksimalno opterećenje ručne košare je 10 kg.

Sastavljanje kolica

(Pogledajte slike na stranicama 1 - 16)

Prije sastavljanja i upotrebe ovog proizvoda pročitajte sve upute u ovom priručniku.

Otvaranje dječjih kolica

pogledajte slike 1 - 4

Odvojite polugu od nosača za pohranu, 1, a zatim podignite ručku prema gore 2 i 3, zvuk klik označit će da su dječja kolica potpuno otvorena.

! Prije korištenja provjerite jesu li dječja kolica u potpunosti pričvršćena.

Postavljanje i skidanje prednjih kotača

pogledajte slike 5 - 6

Postavljanje i skidanje stražnjih kotača

pogledajte slike 7 - 9

Potpuno sklopljena kolica prikazana su na slici 10

Korištenje kolica

Podešavanje naslona

pogledajte sliku 11

Postoje 4 kuta nagiba naslona.

Za podizanje ili spuštanje naslona zakrenite ručku za nagnjanje na stražnjoj strani sjedalice, povucite dolje na stražnji dio naslona. 11

! Nemojte pritisnuti gumb za oslobađanje 11 - 3 na sredini ručke za nagnjanje dok namještate kut nagiba naslona.

! Provjerite je li nagib pravilno namješten za upotrebu.

! Maksimalno opterećenje džepa za odlaganje na stražnjoj strani naslona je 0,45 kg.

Korištenje kopče

pogledajte slike 12 - 13

Otvaranje kopče

Pritisnite gumb, kopča će se automatski osloboditi. 12

Zatvaranje kopče

Na kopču pojasa preko kukova postavite odgovaraju kopču pojasa za rame 13 - 1 i poravnajte ih sa središnjom kopčom, kopča će se sada automatski zakopčati 13 - 2. Zvuk „klik“ znači da je kopča pravilno zakopčana. 13 - 3

! Radi sprječavanja ozbiljnih ozljeda zbog ispadanja ili iskliznuća, dijete uvijek pričvrstite trakama pojasa.

! Provjerite je li dijete pravilno i sigurno pričvršćeno. Razmak između djeteta i traka pojasa za djetetova ramena mora biti približno debljine jednog prsta.

! Ne križajte trake za pričvršćivanje djetetovih ramena. To će prouzročiti pritisak na djetetov vrat.

Korištenje traka pojasa za ramena i kukove

pogledajte slike 14 - 16

! Kako bi zaštili dijete od ispadanja, nakon što ga stavite u sjedalicu provjerite jesu li trake za pričvršćivanje djetetovih ramena i kukova na pravilnoj visini i jesu li pravilne duljine.

14 - 1 Učvršćivač trake pojasa za ramena

14 - 2 Podešivač klizača

Za veće dijete koristite učvršćivač trake pojasa za ramena i najviše otvore za trake pojasa za ramena. Za manje dijete koristite učvršćivač trake pojasa i niže otvore za trake pojasa za ramena.

Za podešavanje položaja učvršćivača trake pojasa za ramena okrenite učvršćivač kako bi bio u ravni sa stranom okrenutom prema naprijed. Provucite ih kroz otvor za trake pojasa za ramena sa stražnje na prednju stranu 17. Ponovno provucite kroz otvor koji je najbliži visini djetetovih ramena. 16

Koristite klizni dio za podešavanje kako bi promijenili duljinu traka pojasa. 15 - 1

Pritisnite gumb 15 - 2 dok povlačite traku za struk na odgovarajuću duljinu. 15 - 3

Postavljanje i skidanje prečke za ruke

pogledajte slike 20 - 22

Podešavanje potpore za noge

pogledajte slike 23 - 24

Potpore za noge ima 2 položaja.

Za spuštanje potpore za noge pritisnite gumb za podešavanje na obje strane potpore za noge 23 - 1 i zakrenite potporu za noge prema dolje. 23 - 2

Za podizanje potpore za noge gurnite je prema gore. Zvuk „klik“ znači da je potpora pravilno blokirana.

Korištenje blokade okretanja prednjih kotača

pogledajte sliku 25

Prednji kotačić blokirani ili deblokirani kao na slici 25.

Savjet Preporučuje se koristiti blokadu okretanja kotačića na neravnim površinama.

Korištenje kočnice

pogledajte slike 26 - 27

Za blokadu kotača nogom pritisnite polugu kočnice prema dolje, indikator će postati crven. 26

Za oslobađanje kotača ponovno nogom pritisnite polugu kočnice prema dolje, indikator će postati zelen. 27

Savjet Uvijek aktivirajte kočnicu čim zaustavite dječja kolica.

Korištenje krovica

pogledajte slike 28 - 31

Krovic se može otvoriti ili preklopiti, povući prema naprijed ili prema natrag. 28

Krovic se može u potpunosti otvoriti radi čim bolje zaštite djeteta od sunca, potrebno je samo otvoriti patentni zatvarač 29 i povući krovic prema naprijed.

Na krovicu postoji prozorčić kroz koji možete pogledati dijete. 30

Krovic se može odvojiti kao što je prikazano na slici 31

Podešavanje ručke

pogledajte sliku 32

Ručka ima 5 položaja.

Podešavanje visine sjedalice

pogledajte sliku 33

Sjedalica ima 3 položaja.

Pritisnite gumb za podešavanje visine sjedalice i povucite je gore da biste povećali ili gurnite prema dolje da biste smanjili visinu sjedalice. 33

Okretanje sjedalice

pogledajte slike 34 - 41

Moguće je okrenuti smjer sjedalice kako bi dijete sjedilo licem prema majci, odnosno osobi koja gura kolica.

Klizite gumb za oslobađanje sjedalice dok podižete sjedalicu. Okrenite sjedalicu u suprotnom smjeru i zatim je ponovno umetnite u nosače sjedalice.

Oba nosača sjedalice trebaju biti u ravni kako je prikazano na slici 34, ako je smještaj kako je prikazano na slikama 37 i 38, pritisnite gumb za podešavanje visine sjedalice i povucite gore ili gurnite dolje radi podešavanja nosača sjedalice i kako bi oba nosača sjedalice bila u ravni. 35

Koristite obloge traka za pričvršćivanje ramena i oblogu središnjeg pojasa

pogledajte sliku 

Obloga traka za pričvršćivanje ramena ili obloga središnjeg pojasa mogu se skinuti s traka za pričvršćivanje.

Za postavljanje obloge traka za pričvršćivanje ramena ili obloge središnjeg pojasa postupak provedite obrnutim redoslijedom.

Sklapanje dječjih kolica



pogledajte slike  - 

! Prije sklapanja kolica preklomite krovčić.

! Za preklapanje dječjih kolica koristi se gumb na sredini ručke za naginjanje.  - 1

! Preklapljeni dječja kolica mogu samostalno stajati osim kad je ručka u najvišem položaju.

! Ne preklapajte okvir dok su prednji kotači blokirani i ne mogu se okretati.

! Kad poluga za pohranu automatski zahvati nosač za pohranu kolica su potpuno preklapljeni i blokirani.  i 

Različite mogućnosti smještaja sjedalice

pogledajte slike  - 

Kolica se mogu koristiti s dvije ili jednom sjedalicom. Kada se okvir kolica koristi sa sjedalicom (Dodatno Sjedalo Versiti), ručnom košarom, Joie košarom za bebu (ramble, ramble xl i calmi) ili Joie autosjedalicom za bebu (i-Sung 2, i-Gemm 3, i-Jemini, sprint i i-Level Pro), pogledajte sljedeće upute.

! Na nekim modelima NIJE uključena sva dodatna oprema i nisu dopušteni svi načini postavljanja.

! Kada se koristi za dvoje djece, gornji nosač mora biti podešen na najviši ili srednji položaj. Za prikaz položaja gornjeg nosača pogledajte 

! Kada se koristi s jednom sjedalicom, ona mora biti na gornjem nosaču. Sjedalica, košara za bebu ili autosjedalica za bebu moraju se postaviti na srednji ili donji položaj, ručna košara mora se namjestiti isključivo na najniži položaj.  i 

! NEMOJTE koristiti okvir kolica sa sjedalicom, ručnom košarom, košarom za bebu ili autosjedalicom za bebu kao što je prikazano na slici 

Korištenje dodatne opreme

Ovisno o regiji dodatna oprema može biti zasebno u prodaji ili uopće ne mora biti raspoloživa.

Korištenje s ručnom košarom

pogledajte slike  - 

Kada koristite s ručnom košarom, pogledajte sljedeće upute.

! Prije pričvršćivanja ručne košare, otvorite nosač na obje strane. 

! Ne sklapajte dječja kolica dok je na njih još pričvršćena ručna košara.

Korištenje s autosjedalicom za bebu na gornjem nosaču

pogledajte slike  - 

Kada koristite s Joie autosjedalicom za bebu, pogledajte sljedeće upute.

! Slova na adapterima za postavljanje ista su kao oni na plastici okvira. 

! Zvuk „klik“ znači da su adapteri pravilno zakopčani.

! Kut nagiba autosjedalice za bebu može se prilagoditi našim prilagodljivim adapterima. 

! Adapteri imaju 3 položaja. Ne koristite proizvod ako je djetetova glava niža od stopala kad dijete smjestite i pričvrstite u autosjedalici za bebu.

! Ne preklapajte dječja kolica dok je na njih postavljena i pričvršćena autosjedalica za bebu.

! Ako imate bilo kakvih problema u svezi korištenja autosjedalice za bebu, pogledajte upute za uporabu te autosjedalice.

Korištenje s Joie košarom za bebu na gornjem nosaču

pogledajte slike  - 

Kada koristite s Joie košarom za bebu, pogledajte sljedeće upute.

! Zvuk „klik“ znači da su adapteri pravilno zakopčani.

! Ne koristite proizvod ako je djetetova glava niža od stopala kad dijete smjestite u košaru za bebu.

! Kada koristite košaru za bebu uvijek koristite i njezin madrac.

! Ne preklapajte dječja kolica dok je na njih postavljena košara za bebu.

! Ako imate bilo kakvih problema u svezi korištenja košare za bebu, pogledajte upute za uporabu te košare za bebu.

Korištenje s autosjedalicom za bebu i košarom za bebu na donjem nosaču

pogledajte slike  - 

Kada koristite s Joie autosjedalicom za bebu i košarom za bebu, pogledajte sljedeće upute.

! Prije korištenja povucite prema van donji nosač na obje strane. 

! Donji nosač može se preklopiti pritiskom gumba na obje strane. 

! Slova na adapterima za postavljanje ista su kao oni na plastici okvira. 

! Zvuk „klik“ znači da su adapteri pravilno zakopčani.

! Kut nagiba autosjedalice za bebu može se namjestiti na 3 položaja pomoću naših prilagodljivih adaptera. 

! Ne koristite proizvod ako je djetetova glava niža od stopala kad dijete smjestite i pričvrstite u autosjedalici za bebu ili košari za bebu.

! Kada koristite košaru za bebu uvijek koristite i njezin madrac.

! Ne sklapajte dječja kolica dok je na njih postavljena autosjedalica za bebu ili košara za bebu.

! Ako imate bilo kakvih problema u svezi korištenja autosjedalice za bebu i košare za bebu, pogledajte odgovarajući priručnik s uputama.

Korištenje pokrova protiv kiše

pogledajte sliku 

Za pričvršćivanje pokrova protiv kiše postavite ga preko sjedalice.

! Pri korištenju pokrova protiv kiše uvijek provjerite prozračivanje ispod pokrova.

! Ako se pokrov protiv kiše više ne koristi prije sklapanja provjerite je li očišćen i suh.

! Ne preklapajte dječja kolica nakon postavljanja pokrova protiv kiše.

! Tijekom toploga vremena ne stavljajte dijete u dječja kolica na kojima je postavljen pokrov protiv kiše.

Čišćenje i održavanje

pogledajte sliku 

! Za čišćenje okvira dječjih kolica koristite samo običan sapun i toplu vodu. Bez izbjeljivača ili deterdženta. Pogledajte naljepnicu za održavanje s uputama za čišćenje dijelova kolica od tkanine.

! Obloge i meki dijelovi mogu se prati u perilici. Ne upotrebljavajte izbjeljivač. Ne savijajte pokrov sjedalice velikom silom radi iscjeđivanja i unutarnje umetke radi sušenja. To može ostaviti nabore na oblozi sjedala i unutarnjem umetku.

! S vremena na vrijeme provjerite zategnutost vijaka na dječjim kolicima i provjerite je li materijal istrošen i jesu li šavovi poderani. Prema potrebi zamijenite ili popravite dijelove. Povremeno plastične dijelove obrišite mekom vlažnom krpom. Uvijek osušite metalne dijelove kako bi spriječili stvaranje hrđe ako su kolica bila izložena vodi.

! Dulje izlaganje suncu ili toplini može prouzročiti blijedenje ili uvijanje dijelova.

! Ako su kolica vlažna prije pohrane otvorite krovčić i pustite neka se potpuno osuše.

! Ako kotačići glasno škripe koristite lagano ulje (na primjer silikonski sprej, ulje protiv hrđe ili ulje za šivaće strojeve). Važno je staviti ulje na sklop osovine i kotača. 

! Nakon korištenja dječjih kolica na plaži ili drugim pješčanim/prajšnjavim terenima temeljito očistite kolica kako biste uklonili ostatke pijeska i soli iz mehanizama i sklopova kotača.

SV Välkommen till Joie™

Gratulerar till att ha blivit en del av Joie-familjen! Vi är mycket glada över att vara delaktiga i din resa med ditt lilla barn. När du reser med Joie versiti använder du en fullt certifierad sittvagn av hög kvalitet. Den är godkänd enligt europeiska säkerhetsstandarder EN 1888-2-2:2018+A1:2022. Sittvagnen är avsedd för barn från nyfödda och upp till 15 kg med bakåtvänt läge och från nyfödda upp till 22 kg eller 4 år, beroende på vilket som inträffar först, med framåtvänt läge. Läs noga igenom denna bruksanvisning och följ alla steg för att garantera en komfortabel resa och bästa skyddet för ditt barn.

VIKTIGT - LÄS IGENOM NOGA OCH SPARA FÖR FRAMTIDA REFERENS.

Besök oss på joiebaby.com för att ladda ned bruksanvisningar och se fler spännande Joie-produkter!

Besök vår webbplats joiebaby.com för att få garantiinformation

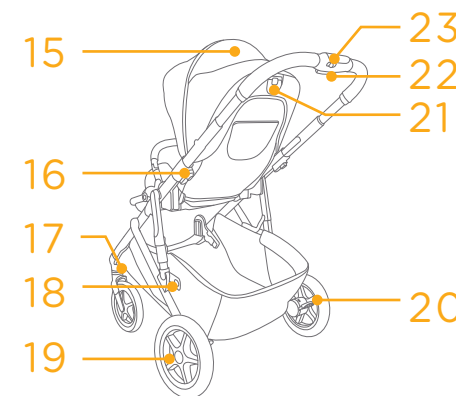
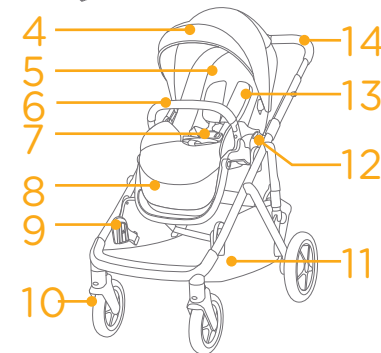
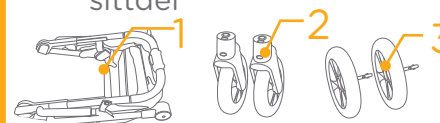
Nödfall

Vid nödfall eller en olycka är det mycket viktigt att barnet omedelbart får första hjälpen och medicinsk behandling.

Lista över delar

Kontrollera att alla delar är tillgängliga före montering. Om någon del saknas, kontakta återförsäljaren. Inga verktyg behövs för montering.

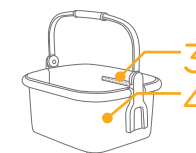
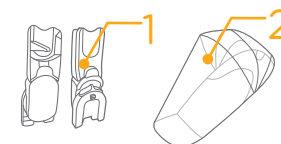
- | | | | |
|----|-----------------------------|----|------------------------------------------------------------------|
| 1 | Sittvagnens ram | 13 | Axelsele |
| 2 | Framhjul | 14 | Handtag |
| 3 | Bakhjul | 15 | Sufflettöfönster |
| 4 | Sufflett | 16 | Justeringsknappar för säteshöjd |
| 5 | Sittdyna | 17 | Riktningsslås |
| 6 | Armstöd | 18 | Förvarings spärr |
| 7 | Bälte | 19 | Bakhjul |
| 8 | Benstöd | 20 | Bromsspak |
| 9 | Nedre fäste | 21 | Lutningshandtag |
| 10 | Framhjul | 22 | Handtagets justeringsknapp/ handtag för ihopfällning med en hand |
| 11 | Förvaringskorg | 23 | Sekundärt lås |
| 12 | Frigöringsknapp för sittdel | | |



Tillbehör

(medföljer eventuellt inte)

- | | |
|---|---------------------------------------|
| 1 | Adapter (på vissa modeller) |
| 2 | Regnskydd (på vissa modeller) |
| 3 | Handhållna korgens ficka |
| 4 | Handhållna korgen (på vissa modeller) |



Tillbehör kan säljas separat eller så kan de vara tillgängliga beroende på region.

VARNING

- ! Använd alltid säkerhetssystemet.
- ! Kontrollera att alla spärrar är inkopplade före användning.
- ! Låt inte barnet leka med den här produkten.
- ! Kontrollera att liggdelen eller sittdelen eller bilstolstillbehören är ordentligt fastsatta innan användning.
- ! Måste monteras av vuxen.
- ! Använd sittvagnen med bara ett barn åt gången. Sittvagnen är avsedd för barn från nyfödda och upp till 15 kg med bakåtvänt läge och från nyfödda upp till 22 kg eller 4 år, beroende på vilket som inträffar först, med framåtvänt läge.
- ! Att använda sittvagnen med ett barn som väger mer än 15 kg i bakåtvänt läge, eller mer än 22 kg i framåtvänt läge innebär att den här sittvagnen utsätts för allt för mycket slitage och belastning.
- ! För att förhindra ett farligt och instabilt skick ska inte mer än 10kg placeras i förvaringskorgen.
- ! Lämna aldrig barnet utan tillsyn.
- ! Placera aldrig handväskor, shoppingväskor, paket eller accessoarer på handtaget eller suffletten.
- ! Tillbehör som inte är godkända av tillverkaren ska inte användas.
- ! Endast utbytesdelar som tillhandahålls eller rekommenderas av tillverkaren ska användas.
- ! För att undvika skador så kontrollera att barnet hålls på avstånd när den här produkten fälls upp och fälls ihop.
- ! Den här produkten är inte lämplig för löpning eller rullskridskoåkning.
- ! Sittvagn som är konstruerad att användas från födseln ska rekommendera användningen för den maximala lutningspositionen för nyfödda barn.
- ! Parkeringsenheten ska användas när barn sätts i eller tas ut.
- ! Bilstolar som används tillsammans med chassin ersätter inte en barnsäng eller säng. Om ditt barn behöver sova ska det placeras i en lämplig liggdel, barnsäng eller säng.
- ! När barnet själv kan sitta upp och rulla runt och resa sig från knästående med hjälp av sina händer ska babyliften inte användas. Barnets maximala vikt: 9 kg.
- ! Om inte tillverkaren rekommenderar det ska inte fler madrasser användas.
- ! All last som fästs på handtaget och/eller ryggstödet baksida och/eller på fordonets sidor påverkar fordonets stabilitet.
- ! Maximal vikt på det som läggs i förvaringsfickan baktill är 0,45kg (1 lb)
- ! Maximala lasten för den handhållna korgen är 10 kg.

Montera sittvagnen

(se figurer på sida 1-16)

Läs igenom alla instruktionerna i denna bruksanvisning innan den här produkten monteras och används.

Öppna sittvagnen

se bilder 1 - 4

Ta isär förvaringsfästet och förvaringsspärren 1 och lyft sedan handtaget uppåt 2 & 3 när det hörs ett klickljud är sittvagnen helt öppnad.

! Kontrollera att sittvagnen är helt spärrad innan du fortsätter att använda den.

Montera och ta bort framhjul

se bilder 5 - 6

Montera och ta bort bakhjul

se bilder 7 - 9

Den färdigmonterade sittvagnen visas i 10

Använda sittvagnen

Justera ryggstödet

se bilden 11

Det finns 4 lutningsvinklar för ryggstödet.

För att höja eller luta ryggstödet så rotera lutningshandtaget på sätets baksida och dra nedåt på ryggstödet. 11

! Tryck inte på frikopplingsknappen 11 - 3 på lutningshandtagets mitten när vinkeln för lutningen justeras.

! Kontrollera att lutningen är ordentligt inställd för användningen.

! Maximal vikt på det som läggs i förvaringsfickan baktill är 0,45 kg.

Använda spännet

se bilder 12 - 13

Öppna spännet

Tryck på knappen så öppnas spännet automatiskt. 12

Lås spännet

Passa ihop höftbältets spänne med axelspännet 13 - 1 och rikta in dem med mittenspännet så att spännet kan låsas automatiskt 13 - 2. Ett "klick"-ljud innebär att spännet är helt stängt. 13 - 3

! För att undvika allvarliga skador, från att barnet faller eller glider ur, ska barnet sättas fast med selen.

! Kontrollera att den är snävt åtdragen runt ditt barn. Utrymmet mellan barnet och axelselen ska vara ungefär en hand tjock.

! Korsa inte axelremmarna. Det orsakar ett tryck på barnets hals.

Använd axel- och midjeselar

se bilder 14 - 15

! För att kunna skydda ditt barn från att falla ut efter att ditt barn är placerat i sätet så kontrollera att axel- och midjeremmen är på rätt höjd och har rätt längd.

14 - 1 Axelseleförankring

14 - 2 Glidreglage

För större barn så använd axelseleförankringen och de högsta öppningarna för axelselen. För mindre barn ska axelseleförankringen användas på de nedersta öppningarna för axelselen.

För att justera positionen för axelseleförankringen så vrid förankringen så att den är i nivå med den sida som är riktad framåt. Trä igenom öppningen för axelremmen från baksida till framsida 17. Trä igenom igen genom öppningen som är närmast barnets axelhöjd. 15

Använd glidreglaget för att ändra selens längd. 15 - 1

Tryck på knappen 15 - 2 under tiden som du drar midjeselen till lämplig längd. 15 - 3

Montera och ta bort armstöd

se bilder 20 - 22

Justering av benstöd

se bilder 23 - 24

Benstödet har 2 lägen.

För att sänka benstöden så tryck på justeringsknapparna på båda sidor om benstöden 23 - 1 och rotera benstödet nedåt. 23 - 2

För att höja benstödet så tryck det uppåt. Ett "klick"-ljud betyder att benstödet har låsts.

Använda främre riktningsslåset

se bilden 25

Framhjul låst eller olåst status som 25.

Tips Det är att rekommendera att använda riktningsslås på ojämna ytor.

Använda bromsen

se bilder 26 - 27

Du låser hjulen genom att trampa ned bromsspaken, indikatorn visas med rött. 26

Du frigör hjulen genom att trampa ned bromsspaken, indikatorn visas med grönt. 27

Tips Använd alltid parkeringsbromsen när sittvagnen inte rör sig.

Använda suffletten

se bilder 28 - 31

Suffletten öppnas och stängs genom att dra i den framåt eller bakåt. 28

Suffletten kan öppnas helt och hållet för att på bästa sätt skydda ditt barn från solen, öppna bara blixtlåset 28 och dra sedan suffletten mot framsidan.

På suffletten finns ett fönster som du kan se din bebis genom. 30

Suffletten kan tas loss så som visas 31

Justera handtaget

se bilden 32

Handtaget har 5 lägen.

Justera sätets höjd

se bilden 33

Sätet har 3 delar.

Tryck på knapparna för säteshöjjustering och dra uppåt för att höja eller tryck nedåt för att sänka sätets höjd. 33

Byta plats på sätet

se bilder 34 - 41

Sätet kan ändras så att mor och barn kan vara ansikte mot ansikte.

Låt sittdelens frigöringsknapp glida samtidigt som du lyfter sittdelen. Vrid sittdelen till omvänd riktning och sätt sedan in sittdelen i sittdelens fästen.

Båda sätesfästena måste vara i nivå som visas i 34 om situationer sådana som visas i 37 & 38 inträffar så tryck på knappen för säteshöjjustering och dra uppåt eller tryck nedåt för att justera sätesfästet och förvissa dig om att båda sätesfästena är i nivå. 35

Använd axelseleskydd och grenseleskydd

se bilden 

Axselens eller grenselens skydd kan tas bort.

Montera axelseleskyddet och grenseleskyddet med omvända steg.

Fälla ihop sittvagnen



se bilder  - 

! Stäng suffletten innan sittvagnen viks ihop.

! Knappen på mitten av lutningshandtaget används för att fälla ihop sätet.  - 1

! Den ihopfällda sittvagnen kan stå förutom när handtaget är i sin lägsta position.

! Fäll inte ihop ramen när hjulriktningsslåset är låst.

! Förvaringssparren hakar automatiskt i förvaringsfästet och sedan är sittvagnen fullständigt hopvikt och låst.  & 



Sitsalternativ att använda

se bilder  - 

Sittvagnen kan användas med dubbelt eller enkelt läge. När sittvagnsramen används med sitsen (Versiti Syskonsäte), handhållen korg, Joie-babylift (ramble, rambler xl och calmi) eller om Joie-fasthållningsanordning för spädbarn (i-Sung 2, i-Gemm 3, i-Jemini, sprint och i-Level Pro) ber vi dig ta referens från följande instruktioner.

! DET ÄR INTE alla tillbehör som ingår i vissa modeller och det är inte alla lägen som är tillåtna.

! När det dubbla läget används måste det övre fästet vara justerat i den högsta positionen eller mittenpositionen. Se  för övre fästets specifika position.

! När det enkla läget används får det bara användas med det övre fästet. Sätet, babyliften eller fasthållningsanordningen för spädbarn måste justeras till positionen i mitten eller längst ned, den handhållna korgen får endast vara justerad i den lägsta positionen.  & 

! Använd INTE sittvagnsramen med sätet, handhållna korgen, babyliften eller fasthållningsanordningen för spädbarn som visas i 

Använda tillbehör

Tillbehör kan säljas separat eller så kan de vara tillgängliga beroende på region.

Användning med den handhållna korgen

se bilder  - 

När den handhållna korgen används, se följande instruktioner.

! Öppna fästet på båda sidorna innan den handhållna korgen sätts fast. 

! Fäll inte ihop sittvagnen när den handhållna korgen fortfarande sitter fast.

Använd med fasthållningsanordningen för spädbarn på övre fästet

se bilder  - 

När en Joie-fasthållningsanordning för spädbarn används ber vi dig ta referens från följande instruktioner.

! Bokstäverna på adaptrarna är samma som de på ramens plastdel. 

! Ett "klick"-ljud betyder att adaptrarna har låsts.

! Vinkeln för fasthållning av spädbarn kan justeras med våra justerbara adaptrar. 

! Adaptrarna har 3 positioner. Använd inte produkten med barnets huvud placerat lägre än fötterna efter att fasthållningsanordningen för spädbarn satts fast.

! Vik inte ihop sittvagnen när fasthållningsanordningen för spädbarn fortfarande sitter fast.

! Om du har några problem med att använda fasthållningsanordningen för barn så se deras egna bruksanvisningar.

Använda med Joie-babylift på övre fästet

se bilder  - 

När den används med Joie-babyliften ber vi dig ta referens från följande instruktioner.

! Ett "klick"-ljud betyder att adaptrarna har låsts.

! Använd inte produkten med barnets huvud placerat lägre än fötterna efter att babyliften satts fast.

! Använd alltid madrassen när du använder babyliften.

! Vik inte ihop barnvagnen när babyliften monteras.

! Om du har några problem med att använda babyliften så vänligen se deras egna bruksanvisningar.

Använd med barnsbilstol för spädbarn eller babylift på nedre fästet

se bilder  - 

När en Joie-fasthållningsanordning för spädbarn och babylift används ber vi dig ta referens från följande instruktioner.

! Dra ned det nedre fästet på båda sidor innan användningen. 

! Nedre fästet kan fällas ihop genom att trycka på knappar på båda sidorna. 

! Bokstäverna på ställningsadaptrarna är samma som de på ramens plastdel. 

! Ett "klick"-ljud betyder att adaptrarna har låsts.

! Vinkeln för fasthållning av spädbarn kan justeras i tre positioner med våra justerbara adaptrar. 

! Använd inte produkten med bebisens huvud placerat lägre än fötterna efter att fasthållningsanordningen för spädbarn eller babyliften satts fast.

! Använd alltid madrassen när du använder babyliften.

! Vik inte ihop barnvagnen när fasthållningsanordningen för spädbarn eller babyliften monteras.

! Om du har några problem med att använda fasthållningsanordningen för spädbarn eller babylift ber vi dig läsa bruksanvisningarna som tillhör dem.

Använda regnskydd

se bilden 

För att montera regnskyddet ska det placeras över sätet.

! När regnskyddet används så kontrollera alltid dess ventilation.

! När det inte används så kontrollera att regnskyddet har rengjorts och torkats innan det viks ihop.

! Fäll inte ihop sittvagnen efter att regnskyddet monterats.

! Placera inte ditt barn i sittvagnen med regnskyddet monterat när det är varmt väder.

Rengöring och underhåll

se bilden 

! För att rengöra sittvagnens ram ska bara vanlig tvål och varmt vatten användas. Använd inte blekning eller rengöringsmedel. Se tvättrådsetiketten för instruktioner om rengöring av sittvagnens tygdelar.

! Mjuka delar som är avtagbara kan tvättas i maskin. Blek inte. Använd inte mycket kraft för att vrida ur sätesmaterialet och kuddarna när de ska torkas. Det kan göra att sätesmaterialet och inre kuddarna veckas.

! Kontrollera din sittvagn då och då för att se om skruvar sitter löst, delar är slitna, material sönderrivet eller sprucket i sömmarna. Byt eller reparera delarna efter behov. Torka regelbundet av plastdelar med en mjuk fuktig trasa. Torka alltid av metalldelar för att förhindra att det bildas rost om sittvagnen har kommit i kontakt med vatten.

! Överdriven exponering för sol eller värme kan göra så att delarna bleknar eller missformas.

! Om sittvagnen blir blöt så öppna suffletten och låt den torka ordentligt innan den lagras.

! Om hjulen gnisslar så använd en lätt olja (t.ex. silikonolja, antirostolja eller symaskinsolja). Det är viktigt att oljan tränger in i axeln och hjulmontaget. 

! När du använder din sittvagn på stranden eller andra sandiga/dammiga miljöer så rengör din sittvagn efter användningen för att ta bort sand och salt från mekanismer och hjulmontaget.

NO Velkommen til Joie™

Gratulerer med å bli en del av Joie-familien! Vi er så glade for å bli en del av reisen til deg og barnet ditt. Når du er på tur med Joie versiti, bruker du en fullsertifisert barnevogn av høy kvalitet, godkjent i henhold til europeiske sikkerhetsstandarder EN 18882:2018+A1:2022. Barnevognen er beregnet på barn fra nyfødte og opptil 15 kg i bakovervendt modus og fra nyfødte og opptil 22 kg eller 4 ar, alt etter hva som kommer først i fremovervendt modus. Les nøye gjennom denne håndboken og følg alle trinn for en behagelig tur der barnet er så godt beskyttet som mulig.

VIKTIG - LES NØYE OG BEHOLD FOR FREMTIDIG OPPSLAG.

Besøk oss på joiebaby.com for å laste ned bruksanvisninger og se flere spennende Joie-produkter.

Du finner garantiinformasjon på vårt nettsted: joiebaby.com

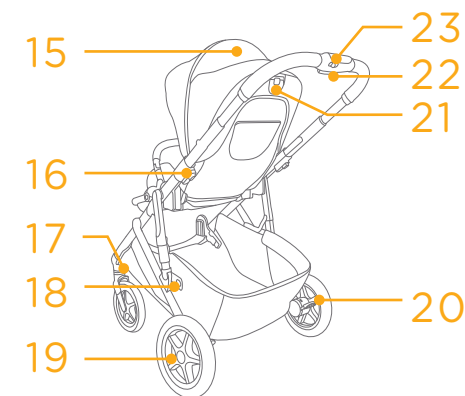
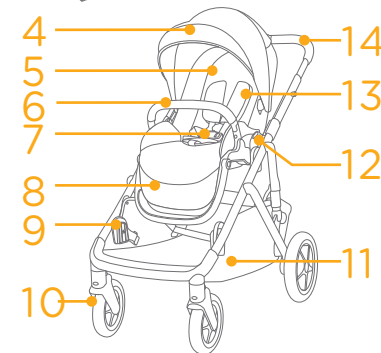
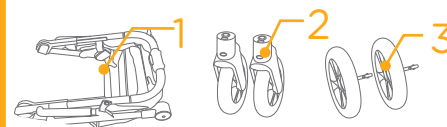
Nødsituasjon

Ved nødstilfeller eller ulykker er det viktigste at barnet blir tatt hånd om med førstehjelp og medisinsk behandling umiddelbart.

Deleliste

Påse at du har alle delene før montering. Hvis noen del mangler, kontakter du din lokale forhandler. Det kreves ingen verktøy for montering.

- | | | | |
|----|------------------|----|------------------------------------------------------|
| 1 | Barnevognramme | 13 | Skuldersele |
| 2 | Forhjul | 14 | Håndtak |
| 3 | Bakhjul | 15 | Kalesjevindu |
| 4 | Kalesje | 16 | Justeringsknapper for setehøyde |
| 5 | Setepute | 17 | Svinglås |
| 6 | Armstang | 18 | Oppbevaringslomme |
| 7 | Spenne | 19 | Bakhjul |
| 8 | Leggstøtte | 20 | Bremsespak |
| 9 | Nedre feste | 21 | Bakoverleningshåndtak |
| 10 | Forhjul | 22 | Justeringsknapp for håndtak / Enhåndsbrettet håndtak |
| 11 | Oppbevaringskurv | 23 | Sekundær lås |
| 12 | Seteutløserknapp | | |

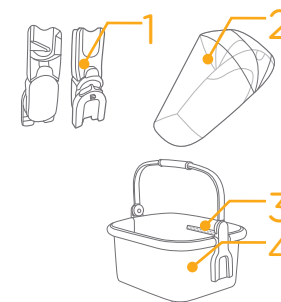


Tilbehør

(Kanskje ikke inkludert)

- | | |
|---|------------------------------------|
| 1 | Adapter (på enkelte modeller) |
| 2 | Regntrekk (på enkelte modeller) |
| 3 | Håndtakskurv |
| 4 | Håndtakskurv (på enkelte modeller) |

Tilbehør kan selges separat eller ikke avhengig av region.



ADVARSEL

- ! Bruk alltid beltesystemet.
- ! Sørg for at alle låsene er låst før bruk.
- ! Ikke la barnet leke med dette produktet.
- ! Kontroller at kroppen til barnevognene, seteenheten eller bilstolfestene er riktig festet før bruk.
- ! Må settes sammen av en voksen.
- ! Bruk barnevognen med bare ett barn om gangen. Barnevognen er beregnet på barn fra nyfødte og opptil 15 kg i bakovervendt modus og fra nyfødte og opptil 22 kg eller 4 år, alt etter hva som kommer først i fremovervendt modus.
- ! Hvis barnevognen brukes med et barn som veier mer enn 15 kg i bakovervendt modus, eller mer enn 22 kg i fremovervendt modus, vil det føre til mye slitasje og belastning på barnevognen.
- ! Ikke legg mer enn 10kg i oppbevaringskurven for å hindre farlig ustabilitet.
- ! La aldri barnet være uten tilsyn.
- ! Plasser aldri vesker, handleposer, pakker eller tilbehør på håndtaket eller kalesjen.
- ! Tilbehør som ikke er godkjent av produsenten, skal ikke brukes.
- ! Kun erstatningsdeler som leveres eller anbefales av produsenten, skal brukes.
- ! For å unngå skade må du sørge for at barnet holdes vekke når produktet brettes og brettes opp.
- ! Produktet er ikke egnet for løping eller skøyteløp.
- ! I sportsvogn designet for bruk fra fødselen av, skal den mest tilbaketente posisjonen brukes for nyfødte babyer.
- ! Parkeringsbremsen skal være aktiv når barna settes i og tas ut.
- ! Bilstoler som brukes sammen med undervogn erstatter

ikke en barneseng eller en seng. Dersom barnet trenger å sove, må det legges i en egnet barnevogn, barneseng eller seng.

- ! Slutt å bruke bæresengen så snart barnet er i stand til å sitte alene, rulle rundt og dytte seg opp på hendene og knærne. Maksimal vekt på barnet: 9 kg.
- ! Ingen ekstra madrasser skal legges til, med mindre det anbefales av produsenten.
- ! En belastning som er festet til håndtaket, på baksiden av ryggstøtten og/eller på sidene av vognen, vil påvirke stabiliteten.
- ! Den maksimale belastningen til oppbevaringslommen på baksiden av ryggstøtten er 0,45 kg (1 lb).
- ! Maksimal belastning på håndtakskurv er 10 kg.

Montering av barnevogn

(Se figurene på side 1-16).

Les alle instruksjonene i denne bruksanvisningen før du monterer og bruker produktet.

Åpne Barnevogn

se bilder 1 - 4

Ta oppbevaringslåsen av oppbevaringsfestet ①, og løft håndtaket oppover ② & ③. Når det høres et klikk, betyr det at barnevognen er helt åpen.

! Kontroller at barnevognen er helt låst før du fortsetter å bruke den.

Montere og løsne forhjulet

se bilder 5 - 6

Monter og løsne bakhjulet

se bilder 7 - 9

Den ferdigmonterte barnevognen er vist som ⑩

Bruk av barnevogn

Justere ryggstøtten

se bilde ⑪

Ryggstøtten kan lenes til 4 vinkler.

For å heve eller lene ryggstøtten dreier du lenehåndtaket på baksiden av setet og trekker ned på ryggstøtten. ⑪

! Ikke trykk utløserknappen ⑪ - 3 på midten av bakoverleningshåndtaket når du justerer lenevinkelen.

! Pass på at lenevinkelen er satt riktig for bruk.

! Den maksimale belastningen til oppbevaringslommen på baksiden av ryggstøtten er 0,45 kg.

Bruke spennen

se bilder 12 - 15

Frigjøre spennen

Trykk knappen for å frigjøre spennen automatisk. ⑫

Låse spennen

Sett midjebeltspenningen på linje med skulderspenningen ⑬ - 1, og sett dem på linje med midtspennen slik at spennen låses automatisk ⑬ - 2. Når du hører et «klikk», betyr det at spennen er helt låst. ⑬ - 3

! For å unngå alvorlig skade fra fall eller skliing må barnet alltid sitte med sikkerhetsbelte.

! Sørg for at barnet er godt på plass. Avstanden mellom barnet og skulderbeltet skal være på omtrent tykkelsen til en hånd.

! Ikke kryss skulderbeltene. Det vil forårsake trykk på barnets nakke.

Bruke skulder- og midjeseler

se bilder 14 - 16

! For å beskytte barnet fra å falle ut bør du kontrollere at skulder- og midjebeltene har riktig høyde og lengde etter at barnet settes i setet.

⑭ - 1 Skulderseleanker

⑭ - 2 Skyvejustering

For større barn bruker du skulderseleanker A og de øverste skuldersporene. For mindre barn bruker du skulderseleanker og de nedre skuldersporene.

Juster posisjonen til skulderseleanker ved å dreie det slik at det er på linje med siden vendt fremover. Tre det gjennom skulderseleslissen bakfra og frem ⑰. Tre den igjen gjennom slissen som er nærmest skulderhøyden til barnet. ⑱

Bruk skyvejusteringen til å endre seleglengden. ⑱ - 1

Trykk knappen ⑱ - 2 mens du trekker midjeselen til riktig lengde. ⑱ - 3

Montere og løsne armstang

se bilder 20 - 22

Justere leggstøtten

se bilder 23 - 24

Leggstøtten har to stillinger.

For å senke leggstøtten trykker du justeringsknappene på begge sider av leggstøtten 23 - 1, og dreier leggstøtten nedover. 23 - 2

Hev leggstøtten ved å trykke den oppover. Når du hører et «klikk», betyr det at leggstøtten er helt låst.

Bruke fremre svingelås

se bilde 25

Forhjul låst eller ulåst status som 25.

Tips Svingelåsene bør brukes på ujevne overflater.

Bruke bremsen

se bilder 26 - 27

For å låse hjulene trækker du bremsespaken nedover, så blir indikatoren rød. 26

For å løsne hjulene trækker du bremsespaken nedover igjen, så blir indikatoren grønn. 27

Tips Slå alltid på parkeringsbremsen når barnevognen står stille.

Bruke kalesjen

se bilder 28 - 31

Kalesjen kan åpnes eller brettes ved å trekke den frem eller bak. 28

Kalesjen kan åpnes helt for å beskytte barnet ditt helt mot solen. Bare åpne glidelåsen 29, og trekk kalesjen ut mot forsiden.

Det er et vindu på kalesjen der du kan se barnet. 30

Kalesjen kan tas av som vist på 31

Justeringshåndtak

se bilde 32

Håndtaket har 5 stillinger.

Juster setehøyde

se bilde 33

Setet har 3 stillinger.

Trykk justeringsknappene for setehøyde og trekk opp for å øke eller ned for å redusere setehøyden. 33

Bytte sete

se bilder 34 - 41

Setet kan skiftes slik at mor og barn kan se hverandre ansikt til ansikt.

Skyv seteutløserknappene mens du løfter setet. Snu setet i motsatt retning, og sett deretter setet inn i setefestene.

Begge setefestene må være i vater som på 35. Hvis det er som på 37 & 38, trykker du justeringsknappene for setehøyde og trekker opp, eller trykker ned for å justere setefestet slik at begge setefestene er i vater. 35

Bruke skulderseletrakk og skrittseletrakk

se bilde 

Skulderseletrakk eller skrittseletrakk kan fjernes fra nettingen. Monter skulderseletrakk og skrittseletrakk i omvendt rekkefølge.

Brette barnevogn

se bilder  - 

! Brett ned kalesjen før du bretter vognen.

! Knappen på midten av bakoverleningshåndtaket brukes til å brette setet.  - 1

! Når barnevognen er brettet, kan den stå unntatt håndtaket er i høyeste stilling.

! Ikke brett rammen når svinglåsen på forhjulet er låst.


! Oppbevaringslåsen hektes automatisk på oppbevaringsfesten, så brettes og låses barnevognen helt.  & 

Setealternativer

se bilder  - 

Barnevognen kan brukes i dobbel eller enkel modus. Når barnevognerammen brukes med sete (Versiti Søskensete), håndtakskurv, Joie bæreseng (ramble, ramble xl og calmi) eller Joie barnesete (i-Sung 2, i-Gemm 3, i-Jemini, sprint og i-Level Pro), kan man se følgende instruksjoner.

! IKKE alt tilbehør følger med på noen modeller, og ikke alle moduser er tillatt.

! Når man bruker dobbeltmodus, må det øvre festet justeres til høyeste eller midtre posisjon. Se  for spesifikk posisjon for øvre montering.

! Når man bruker enkeltmodus, må man kun bruke med det øvre festet. Sete, bæreseng eller barneseng for spedbarn må justeres til midtre eller laveste posisjon, og håndtakskurven må kun justeres til laveste posisjon.  & 

! IKKE bruk barnevognerammen med setet, håndtakskurv, barneseng eller barnesete vist som 

Bruke tilbehør

Tilbehør kan selges separat eller ikke avhengig av region.

Bruke med håndtakskurv

se bilder  - 

Ved bruk med håndtakskurv kan du se følgende instruksjoner.

! Åpne festet på begge sider før du fester håndtakskurven. 

! Ikke brett barnevognen når håndtakskurven fortsatt er satt på.

Bruke med barnesete på øvre feste

se bilder  - 

Ved bruk med Joie spedbarnsete kan du se følgende instruksjoner.

! Bokstavene på adapterne er de samme som på rammeplasten. 

! Når du hører et «klikk», betyr det at adapterene er helt låst.

! Vinkelen på barnesetet kan justeres med våre justerbare adaptere. 

! Adapterene har 3 stillinger. Ikke bruk produktet når hodet til spedbarnet er lavere enn føttene når barnesetet er satt på.

! Ikke brett barnevognen når barnesetet fortsatt er satt på.

! Hvis du har problemer med å bruke barnesetet, må du se de gjeldende instruksjonshåndbøker.

Bruke med Joie bæreseng på øvre feste

se bilder  - 

Når du bruker Joie bæreseng, kan du se følgende instruksjoner.

! Når du hører et «klikk», betyr det at adapterene er helt låst.

! Ikke bruk produktet når hodet til spedbarnet er lavere enn føttene når bæresengen er satt på.

! Bruk alltid madrassen når du bruker bæresengen.

! Ikke brett barnevognen når du fester bæresengen.


! Hvis du har problemer med å bruke bæresengen, må du se de gjeldende instruksjonshåndbøker.

Bruke med barnesete og bæreseng på nedre feste

se bilder  - 

Ved bruk med Joie spedbarnsete og barnesete kan du se følgende instruksjoner.

! Trekk ut det nedre festet på begge sider før bruk. 

! Nedre feste kan brettes ved å trykke knappene på begge sider. 

! Bokstavene på stolpeadapterne er de samme som på rammeplasten. 

! Når du hører et «klikk», betyr det at adapterene er helt låst.

! Vinkelen på barnesetet kan justeres til 3 posisjoner med våre justerbare adaptere. 

! Ikke bruk produktet hvis barnets hode er lavere enn føttene når barnesetet eller bæresengen er festet.

! Bruk alltid madrassen når du bruker bæresengen.

! Ikke legg sammen barnevognen når du fester barnesetet eller bæresengen.

! Hvis du har problemer med å bruke barnesetet og bæresengen, må du se de gjeldende bruksanvisningene.

Bruke regntrekket

se bilde 

Sett sammen regntrekket ved å plassere det over setet.

! Når du bruker regntrekket, må du alltid sjekke ventilasjonen.

! Når du er ferdig med å bruke regntrekket, må det gjøres rent og tørkes før det brettes sammen.

! Ikke brett vognen etter at regntrekket er satt på.

! Ikke legg barnet i barnevognen sammen med regntrekket på i varmt vær.

Rengjøring og vedlikehold

se bilde 

! For å rengjøre rammen til barnevognen bruker du bare husholdningsåpe og varmt vann. Ikke bruk blekemiddel eller vaskemiddel. Se på pleieetiketten for instruksjoner om rengjøring av stoffdelene i barnevognen.

! Avtakbare myke varer kan vaskes i maskin. Ikke bruk blekemiddel. Ikke vri opp setetrekket og den indre polstringen med stor kraft for å tørke dem. Det kan gjøre at setetrekket og den indre polstringen blir rynket.

! Kontroller barnevognen iblant for å se etter løse skruer, slitte deler eller revne materialer eller sømmer. Bytt ut eller reparer delene etter behov. Tørk regelmessig av plastdelene med en myk, fuktig klut. Tørk alltid metalldelene hvis vognen har kommet i kontakt med vann for å forhindre at det kommer rust.

! Overdreven eksponering for sol eller varme kan føre til falming eller vridning av deler.

! Hvis barnevognen blir våt, må du åpne baldakinen og la den tørke grundig før du lagrer den.

! Hvis hjulene knirker, kan du bruke lett olje (f.eks. silisiumspray, antirustolje eller symaskinolje). Det er viktig å få oljen inn i akslingen og hjulenheten. 

! Når barnevognen brukes på stranden eller på et annet sted med mye sand/støv, må den renses helt etterpå for å fjerne sand og salt fra mekanismene og hjulene.

FI Tervetuloa Joie™-perheeseen

Onnittelut liittymisestä Joie-perheeseen! Olemme innoissamme osallistumisestamme matkaanne pienokaisenne kanssa. Kun matkustat Joie versiti -rattaiden kanssa, käytät korkealaatuisia, täysin sertifioituja rattaita, jotka on hyväksytty eurooppalaisten turvallisuusstandardien EN 1888-2:2018+A1:2022 mukaisesti. Lastenvaunut on tarkoitettu vastasyntyneestä 15 kg painaville lapsille selka menosuuntaan -tilassa ja vastasyntyneestä 22 kg painaville tai 4-vuotiaille lapsille, sen mukaan, kumpi tulee ensin. Lue tämä käyttöopas huolellisesti ja noudata kaikkia ohjeita varmistaaksesi mukavan matkan ja parhaan suojauksen lapselle.

TÄRKEÄÄ - LUE HUOLELLISESTI JA SÄILYTÄ TULEVAA KÄYTTÖÄ VARTEN.

Siirry osoitteeseemme Joiebaby.com lataamaan käyttöoppaita ja tutustumaan muihin jännittäviin Joie-tuotteisiin!

Tutustuaksesi takuutietoihin, siirry verkkosivustollemme joiebaby.com

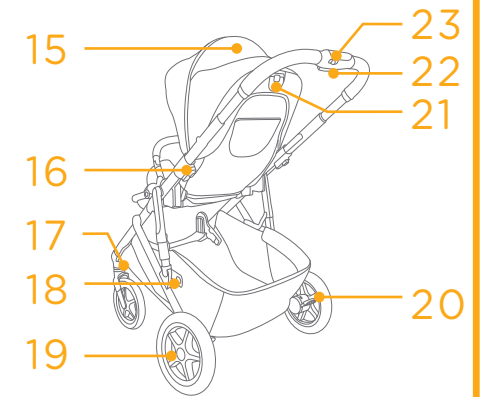
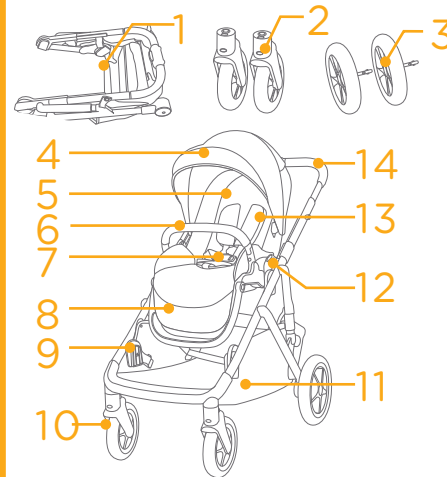
Hätätilanne

Hätätilanteessa tai onnettomuuden sattuessa kaikkein tärkeintä on ensiavun saaminen lapselle ja hakeutuminen välittömästi lääketieteelliseen hoitoon.

Osaluettelo

Varmista ennen kokoamista, että kaikki osat ovat käytettävissä. Jos jokin osa puuttuu, ota yhteyttä paikalliseen jälleenmyyjään. Kokoamiseen ei tarvita työkaluja.

- | | | | |
|----|--------------------------|----|------------------------------------------------------|
| 1 | Lastenvaunujen runko | 13 | Hartiavaljaat |
| 2 | Etupyörät | 14 | Kahva |
| 3 | Takapyörät | 15 | Kuomun ikkuna |
| 4 | Kuomu | 16 | Istuimen korkeuden säätöpainikkeet |
| 5 | Istuintyyny | 17 | Kääntölukko |
| 6 | Käsituki | 18 | Säilytysalpa |
| 7 | Solki | 19 | Takapyörä |
| 8 | Pohjetuki | 20 | Jarruvipu |
| 9 | Alempi kiinnike | 21 | Kääntökahva |
| 10 | Etupyörä | 22 | Kahvan säätöpainike / yhdellä kädellä taittuva kahva |
| 11 | Säilytyskori | 23 | Lisälukko |
| 12 | Istuimen vapautuspainike | | |

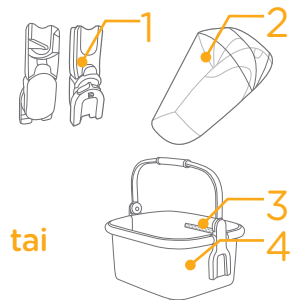


Lisävarusteet

(Ei ehkä kuulu toimitukseen)

- | | |
|---|---------------------------------|
| 1 | Sovitin (tietyissä malleissa) |
| 2 | Sadesuoja (tietyissä malleissa) |
| 3 | Käsikorin tasku |
| 4 | Käsikori (tietyissä malleissa) |

Lisävarusteita voidaan myydä erikseen tai niitä ei ole saatavilla alueen mukaan.



VAROITUS

- ! Käytä aina turvaistuinjärjestelmää.
- ! Varmista, että kaikki lukituslaitteet on lukittu ennen käyttöä.
- ! Älä anna lapsen leikkiä tällä tuotteella.
- ! Tarkista, että vaunukopan, istuinyksikön tai auton istuimen kiinnityslaitteet on oikein lukittu ennen käyttöä.
- ! Kokoamiseen tarvitaan aikuista.
- ! Käytä lastenvaunuja vain yhdellä lapsella kerrallaan. Lastenvaunut on tarkoitettu vastasyntyneestä 15 kg painaville lapsille selkä menosuuntaan -tilassa ja vastasyntyneestä 22 kg painaville tai 4-vuotiaille lapsille, sen mukaan, kumpi tulee ensin.
- ! Lastenvaunujen käyttö selkä menosuuntaan -tilassa lapsella, joka painaa yli 15 kg tai yli 22 kg kasvot menosuuntaan -tilassa, aiheuttaa liiallista kulumista ja rasitusta lastenvaunuille.
- ! Estääksesi vaarallisen, epävakaan tilan, älä aseta yli 10kg:n painoa säilytyskoriin.
- ! Älä koskaan jätä lasta valvomatta.
- ! Älä koskaan laske käsilaukkua, ostoskasseja, paketteja tai varusteita kahvan tai kuomun päälle.
- ! Lisävarusteita, jotka eivät ole valmistajan hyväksymiä, ei tule käyttää.
- ! Ainoastaan valmistajan toimittamia tai suosittelemia vaihto-osia saa käyttää.
- ! Varmista vamman välttämiseksi, että lapsi pysyy loitolla, kun tätä tuotetta avataan ja taitetaan.
- ! Tämä tuote ei ole sopiva käytettäväksi juostessa tai luistellessa.
- ! Vastasyntyneille käytettäväksi suunniteltuja lastenrattaita on suositeltavaa käyttää kallistuneimmassa asennossa vastasyntyneillä vauvoilla.
- ! Pysäköintilaite on lukittava, kun lapsia asetetaan tai poistetaan.

- ! Auton istuimilla yhdessä alustan kanssa käytettynä tämä väline ei korvaa lastensänkyä tai vuodetta. Jos lapsen on nukuttava, laske hänet sopivaan vaunukoppaan, lastensänkyyn tai vuoteeseen.
- ! Kantokoppaa ei saa enää käyttää, kun lapsi osaa istua itseksensä, pyöriä ympäri tai työntää itsensä ylös käsillään ja polvillaan. Lapsen enimmäispaino: 9 kg.
- ! Ylimääräisiä patjoja ei saa lisätä, jollei valmistaja sitä suosittele.
- ! Mikä tahansa kahvaan ja/tai välineen selkänojan taakse ja/tai sivuille kiinnitetty kuorma vaikuttaa välineen vakauteen.
- ! Selkänojan selkänojassa olevan säilytystaskun enimmäiskuorma on 0,45 kg (1 lb).
- ! Käsikäyttöisen korin enimmäiskuorma on 10 kg.

Lastenvaunujen kokoonpano

(Katso kuvat sivulla 1-16)

Lue kaikki tämän käyttöoppaan ohjeet ennen tämän tuotteen kokoamista ja käyttöä.

Avoimet rattaat

katso kuvat 1 - 4

Varastointisalpa erotetaan varastointikiinnikkeestä 1, nosta sitten kahva ylöspäin 2 ja 3, naksahdusääni tarkoittaa, että rattaat on avattu kokonaan.

! Tarkista, että lastenvaunut on lukittu täysin ennen kuin jatkat käyttöä.

Etupyörän kokoaminen ja irrottaminen

katso kuvat 5 - 6

Takapyörän kokoaminen ja irrottaminen

katso kuvat 7 - 9

Kokonaan kootut lastenvaunut näkyvät kuvassa 10.

Lastenvaunujen käyttö

Selkänöjan säätäminen

katso kuva 11

Selkänöjalla on 4 kallistuskulmaa.

Nostaaksesi tai kallistaaksesi selkänöjaa, kierrä istuimen takana olevaa kallistuskahvaa, vedä selkänöjaa alaspäin. 11

! Älä paina vapautuspainiketta 11 - 3 makuuasentokahvan keskellä, kun säädät makuuasennon kulmaa.

! Varmista, että kallistus on asetettu oikein käyttöä varten.

! Selkänöjan takana olevan säilytystaskun maksimikuorma on 0,45 kg.

Soljen käyttö

katso kuvat 12 - 15

Soljen vapauttaminen

Paina painiketta, solki vapautuu automaattisesti. 12

Soljen lukitseminen

Sovita vyötärövyön solki olkalukon kanssa yhteen 15 - 1 ja kohdista ne keskellä olevaan solkeen, solki voi lukittua automaattisesti 15 - 2. Naksahdus tarkoittaa, että solki on täysin lukittu. 15 - 3

! Vältäaksesi putoamisesta tai ulos liukumisesta aiheutuvan vakavan vamman, kiinnitä lapsi aina valjailta.

! Varmista, että lapsi on kiinnitetty tiukasti. Lapsen ja hartiavaljaiden hihnojen välisen tilan on oltava noin kämmenen paksuinen.

! Älä vie hartiavöitä ristiin. Tämä kohdistaa painetta lapsen niskaan.

Hartia- ja vyötärövaljaiden käyttö

katso kuvat 14 - 16

! Lapsen suojaaminen ulos putoamiselta. Kun lapsi on asetettu istuimelle, tarkista ovatko hartia- ja vyötärövaljaat oikealla korkeudella ja oikean pituisia.

14 - 1 Olkavaljaiden kiinnityspiste

14 - 2 Liukusäädin

Suurempien lasten tulee käyttää hartiavaljaiden kiinnityspistettä ja korkeimpia hartiaipaikkoja. Pienempien lasten tulee käyttää hartiavaljaiden kiinnityspistettä ja matalimpia hartiaipaikkoja.

Hartiavaljaiden kiinnityspisteen säätämiseksi, kierrä kiinnityspiste samalle tasolle eteenpäin suunnatun sivun kanssa. Kierrä se olkavaljaiden aukon läpi takaa eteen 17. Pujota se uudelleen lähimpänä lapsen hartioiden korkeutta olevan aukon läpi. 18

Voit muuttaa valjaiden pituutta liukusäätimellä. 19 - 1

Paina painiketta 19 - 2 ja vedä samalla vyötärövaljaat oikeaan pituuteen. 19 - 3

Käsituen kokoaminen ja irrottaminen

katso kuvat 20 - 22

Pohjetuen säätäminen

katso kuvat 23 - 24

Pohjetuella on 2 asentoa.

Laskeaksesi pohjetukea, paina säätöpainikkeita pohjetuen molemmilla puolilla 25 - 1 ja kierrä pohjetukea alaspäin. 25 - 2

Nostaaksesi pohjetukea, työnnä sitä ylöspäin. Naksahdus tarkoittaa, että pohjetuki on täysin lukittu.

Etupyörän kääntölukon käyttö

katso kuva 26

Etupyörän lukittu tai avattu tila, kuten 26.

Vinkki On suositeltavaa käyttää kääntyviä lukituksia epätasaisilla pinnoilla.

Jarrun käyttö

katso kuvat 27 - 29

Jos haluat lukita pyörät, astu jarruvipu alaspäin, merkkivalo näyttää punaista. 27

Vapauta pyörät painamalla jarruvipua uudelleen alaspäin, jolloin merkkivalo palaa vihreänä. 29

Vinkki Käytä seisontajarrua aina, kun lastenvaunut eivät liiku.

Käytä katosta

katso kuvat 30 - 31

Kuomu voi olla avattu tai taiteltu, vedä sitä eteenpäin tai taaksepäin. 30

Kuomun voi avata kokonaan lapsen suojaamiseksi liialliselta auringolta, avaa vain vetoketju 30 ja vedä sitten kuomua kohti etuosaa.

Kuomussa on ikkuna, josta voit katsoa vauvaa. 30

Katos voidaan irrottaa näkymään 31

Kahvan säätäminen

katso kuva 32

Kahvalla on 5 asentoa.

Istuinkorkeuden säätäminen

katso kuva 33

istuimelle on 3 asentoa.

Paina istuinkorkeuden säätöpainikkeita ja vedä ylöspäin istuinkorkeuden nostamiseksi tai alaspäin istuinkorkeuden laskemiseksi. 33

Istuimen vaihtaminen

katso kuvat 34 - 41

Istuinta voi vaihtaa niin, että äiti ja lapsi ovat kasvotusten.

Liuta istuimen vapautuspainikkeita samalla kun nostat istuinta. Kierrä istuinta vastakkaiseen suuntaan ja liitä sitten istuin istuinkiinnikkeisiin.

Molempien istuimen kiinnikkeiden on oltava tasossa, kuten on esitetty kohdassa 34, jos tilanteet, jotka on esitetty kuvassa 37 ja 38 toteutuvat, paina istuimen korkeuden säätöpainiketta ja vedä ylös tai työnnä alas säätääksesi istuimen kiinnitystä varmistaaksesi, että molemmat istuimen kiinnitykset ovat tasossa. 38

Hartiavaljaiden suojuksen ja haaravaljaiden suojuksen käyttö

katso kuva 

Hartiavaljaiden tai haaravaljaiden suojuksen voi irrottaa nauhakudoksesta. Kokoa hartiavaljaiden ja haaravaljaiden suojuks käänteisessä järjestyksessä.

Lastenvaunujen taittelu

katso kuvat  - 

! Taittele Kuomu ennen lastenvaunujen taittamista.

! Kallistuskahvan keskellä olevaa painiketta käytetään istuimen taittamiseen.  - 1

! Taitetut rattaat voivat seistä, paitsi jos kahva on korkeimmassa asennossa.

! Älä taita runkoa, kun etupyörän kääntöluukko on lukittu.

! Säilytysalpa kiinnittyy automaattisesti koukulla säilytyskiinnikkeeseen, lastenvaunut on tällöin taiteltu ja lukittu kokonaan.  ja 



Istumapaikkavaihtoehdon käyttö


katso kuvat  - 

Vaunuja voidaan käyttää kaksois- tai yksittäistilassa. Kun käytät rattaiden runkoa istuimella (Versiti Sisarustuin), käsikorilla, Joie-kantokopalla (ramble, ramble xl ja calmi) tai Joie-lasten turvaistuimella (i-Sung 2, i-Gemm 3, i-Jemini, sprint ja i-Level Pro), noudata seuraavia ohjeita.

! Joihinkin malleihin EI sisälly kaikkia lisävarusteita, eivätkä kaikki tilat ole sallittuja.

! Kun käytät kaksoistilaa, ylempi kiinnike on säädettävä korkeimpaan asentoon tai keskiasentoon. Katso kuvasta  yläkiinnikkeen sijainti.

! Kun käytät yksittäistä tilaa, sitä saa käyttää vain ylemmän kiinnikkeen kanssa. Istuin, kantokoppa tai lasten turvaistuin on säädettävä keskimmäiseen tai alimpaan asentoon, käsikäyttöinen kori on säädettävä vain alimpaan asentoon.  ja 

! ÄLÄ käytä rattaiden runkoa istuimen, käsikorin, kantosängyn tai lasten turvalaitteen kanssa, jotka on esitetty kuvassa 

Lisävarusteiden käyttö

Lisävarusteita voidaan myydä erikseen tai niitä ei ole saatavilla alueen mukaan.

Käyttö kannettavan korin kanssa

katso kuvat  - 

Kun käytät käsikäyttöistä koria, noudata seuraavia ohjeita.

! Avaa kiinnike molemmilta puolilta ennen käsikorin kiinnittämistä. 

! Älä taita rattaita, kun käsikäyttöinen kori on vielä kiinni.

Käytetään lasten turvaistuimen kanssa yläkiinnikkeessä

katso kuvat  - 

Kun käytät Joie-lasten turvaistuinta, noudata seuraavia ohjeita.

! Sovittimien kirjaimet ovat samat kuin runkomuovissa. 

! Naksahdusääni tarkoittaa, että sovitin on lukittunut kokonaan.

! Vauvan/lapsen turvaistuimen kulmaa voi säätää säädettävillä sovittimillamme. 

! Sovittimessa on 3 asentoa. Älä käytä tuotetta, kun vauvan pää on alempana kuin jalat, kun vauvan/lapsen turvaistuin on kiinnitetty.

! Älä taita lastenvaunuja, kun lasten turvaistuin on vielä kiinnitetty.

! Jos lasten turvaistuimen käytössä ilmenee ongelmia, katso ohjeet sen omasta käyttöoppaasta.

Käyttö Joie Carry Cot -vaunun kanssa yläkiinnikkeessä

katso kuvat  - 

Kun käytät Joie-kantosänkyä, noudata seuraavia ohjeita.

! Naksahdusääni tarkoittaa, että sovitin on lukittunut kokonaan.

! Älä käytä tuotetta, kun vauvan pää on alempana kuin jalat, kun kantokoppa on kiinnitetty.

! Käytä aina patjaa kantokoppaa käytettäessä.

! Älä taittele lastenvaunuja, kun kiinnität kantokopan.

! Jos kantokopan käytössä ilmenee ongelmia, katso ohjeet sen omasta käyttöoppaasta.


Käytetään lasten turvalaitteen ja kantosängyn kanssa alemmassa kiinnikkeessä

katso kuvat  - 

Kun käytät Joie-lasten turvaistuinta ja kantosänkyä, noudata seuraavia ohjeita.

! Vedä alempi kiinnike ulos molemmilta puolilta ennen käyttöä. 

! Alempi kiinnike voidaan taittaa painamalla molemmilla puolilla olevia painikkeita. 

! Tolppasovittimien kirjaimet ovat samat kuin runkomuovien kirjaimet. 

! Naksahdusääni tarkoittaa, että sovitin on lukittunut kokonaan.

! Lasten turvaistuimen kulmaa voidaan säätää 3 asentoon säädettävien sovittimien avulla. 

! Älä käytä tuotetta, kun vauvan pää on jaljoja alempana kiinnitetyn lasten turvalaitteen tai kantosängyn jälkeen.

! Käytä aina patjaa kantokoppaa käytettäessä.

! Älä taita rattaita, kun kiinnität lasten turvalaitteen tai kantosängyn.

! Jos sinulla on ongelmia lasten turvalaitteen ja kantosängyn käytössä, tutustu niiden omiin käyttöohjeisiin.

Sateensuojan käyttö

katso kuva 

Sateensuojan kokoamiseksi, aseta se istuimen päälle.

! Kun käytät sateensuojaa, tarkista aina sen tuuletus.

! Kun sateensuojaa ei käytetä, tarkista aina, että se on puhdistettu ja kuivattu ennen taittelua.

! Älä taittele lastenvaunuja sateensuojan kokoamisen jälkeen.

! Älä aseta lasta lämpimällä säällä lastenvaunuihin, joihin on asennettu sateensuoja.

Puhdistus ja kunnossapito

katso kuva 

! Käytä lastenvaunujen kehikon puhdistamiseen ainoastaan astianpesuainetta ja lämmintä vettä. Ei valkaisu- tai pesuaineita. Katso pesumerkistä ohjeet, kuinka lastenvaunujen kangasosat puhdistetaan.

! Irrrotettavat pehmytarvikkeet ovat konepestäviä. Ei valkaisuainetta. Älä kuivaa pehmytarvikkeita ja sisäpehmusteita kiertämällä niitä suurella voimalla. Istuimen päällykseen ja sisäpehmusteisiin voi jäädä rypyjä.

! Tarkista lastenvaunut ajoittain löysien ruuvien, kuluneiden osien, revenneen materiaalin tai ratkenneiden saumojen varalta. Vaihda tai korjaa osat tarpeen mukaan. Pyyhi muoviosat säännöllisesti pehmeällä, kostealla liinalla. Kuivaa aina metalliosat estääksesi ruosteen muodostumisen, jos lastenvaunut joutuvat kosketuksiin veden kanssa.

! Liiallinen altistuminen auringolle tai kuumuudelle voi johtaa joidenkin sidontaosien haalistumiseen.

! Jos lastenvaunut kastuvat, avaa kuomu ja anna vaunujen kuivua kokonaan ennen varastointia.

! Jos pyörät vinkuvat, käytä kevyttä öljyä (esim. silikonisuihke, ruosteenpoistoöljy tai ompelukoneöljy). On tärkeää saada öljy akseli- ja pyöräkokoonpanon sisään. 

! Kun käytät lastenvaunuja hiekkarannalla tai muussa hiekkaisessa/pölyisessä ympäristössä, puhdistaa lastenvaunut käytön jälkeen kauttaaltaan poistaaksesi hiekan ja suolan mekanismeista ja pyöräkokoonpanoista.

ET Tere! Mina olen Joie™

Palju õnne! Olete hankinud suurepärase Joie toote. Meil on hea meel, et saame olla koos teiega pisikese kodaniku eluteel. Jalutuskäru Joie versiti on väga kvaliteetne ja vastab kõikidele ametlikele nõuetele, muu hulgas Euroopa ohutusstandardile EN 1888-2:2018+A1:2022. Jalutuskäru on ette nahtud lastele sunnist alates kuni kaaluni 15 kg vaatega tahapoole voi vaatega ettepoole kuni kaaluni 22 kg voi 4 eluaastani olenevalt sellest kumb saabub varem. Lugege seadme juhend hoolikalt läbi ja järgige seda igal sammul, et liikuda lapsega mugavalt ja turvaliselt.

TÄHTIS: LUGEGE TÄHELEPANELIKULT JA HOIDKE ALLES.

Võite kasutusjuhendeid alla laadida aadressilt joiebaby.com, millel tutvustatakse ka teisi põnevamaid Joie tooteid!

Garantiiteabe leiate meie veebisaidilt aadressil joiebaby.com

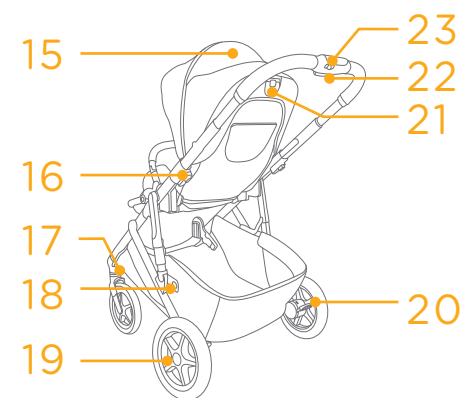
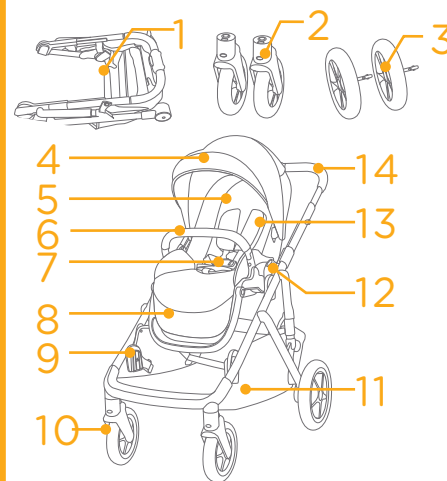
Õnnetuse korral

Kui juhtub õnnetus, laske oma lapsele kindlasti anda kohe esmaabi ja vajadusel meditsiinilist ravi.

Osad

Enne kokkupanekut kontrollige, kas kõik vajalikud osad on olemas. Kui mõni osa puudub, pöörduge kohaliku müügiesindaja poole. Seadme kokkupanekuks pole tööriistu vaja.

- | | | | |
|----|--------------------|----|--------------------------------------------------------------|
| 1 | Jalutuskäru raam | 13 | Õlarihmad |
| 2 | Esirattad | 14 | Käepide |
| 3 | Tagarattad | 15 | Katuseaken |
| 4 | Katus | 16 | Istme kõrguse reguleerimisnupud |
| 5 | Istmepadi | 17 | Suunalukk |
| 6 | Tugikaar | 18 | Hoideriiv |
| 7 | Pannal | 19 | Tagaratas |
| 8 | Sääretugi | 20 | Pidurihoob |
| 9 | Alumine kinnitus | 21 | Kallutuskäepide |
| 10 | Esiratas | 22 | Käepideme reguleerimise nupp / ühe käega kokkupandav käepide |
| 11 | Istmealune korv | 23 | Teine lukusti |
| 12 | Istme vabastusnupp | | |

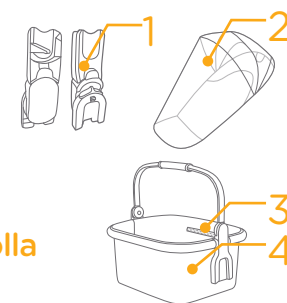


Tarvikud

(Ei ole alati komplektis)

- 1 Adapter (teatud mudelitel)
- 2 Vihmakaitse (teatud mudelitel)
- 3 Kandekorvi tasku
- 4 Kandekorv (teatud mudelitel)

Sõltuvalt piirkonnast võivad tarvikud olla saadaval eraldi või üldse mitte.



HOIATUS

- ! Kasutage alati kinnitussüsteemi.
- ! Enne kasutamist veenduge, et kõik lukustid on suletud.
- ! Ärge lubage lapsel tootega mängida.
- ! Enne kasutamist veenduge, et hälli korpus, istmeosa või auto turvaiste oleksid korralikult kinnitatud.
- ! Kokku peab panema täiskasvanu.
- ! Kasutage jalutuskäru korraga ainult ühe lapsega. Jalutuskäru on ette nähtud lastele sünnist alates kuni kaaluni 15 kg vaatega tahapoole või vaatega ettepoole kuni kaaluni 22 kg või 4 eluaastani olenevalt sellest kumb saabub varem.
- ! Jalutuskäru kasutamine seljaga sõidusuunas asendis üle 15 kg kaaluval lapsel või näoga sõidusuunas asendis üle 22 kg kaaluval lapsel põhjustaks sellele ülemäärast kulumist ja koormust.
- ! Ohtliku olukorra ja ebastabiilsuse vältimiseks ärge pange istmealusesse korvi üle 10kg raskust koormat.
- ! Ärge jätke last järelevalveta!
- ! Ärge pange käekotti, poekotti, pakke vms esemeid käepideme külge ega katusele.
- ! Tarvikuid, mida tootja pole heaks kiitnud, ei tohi kasutada.
- ! Kasutada võib ainult tootja tarnitud või soovitatavaid osi.
- ! Vigastuste vältimiseks hoidke laps kärust eemal, kui seda kokku panete või lahti võtate.
- ! See toode pole ette nähtud kasutamiseks jooksmise või uisutamise ajal.
- ! Vastsündinu korral soovitatakse lapsevankrit kasutada enamasti lapse lamavas asendis.
- ! Lapse hälli panemisel ja sealt äratõstmisel tuleb rakendada pidur.
- ! Korpuse kasutamine autoistmel ei asenda turvahälli või -voodit. Lapse magamise ajaks tuleb ta panna sobivasse lapsevankrisse, turvahälli või voodisse.
- ! Kandehälli ei tohi enam kasutada, kui laps oskab ise istuda, end ümber pöörata ning käpuli tõusta. Lapse maksimumkaal: 9 kg.
- ! Lisamadratsit võib kasutada vaid juhul, kui tootja seda soovitab.
- ! Igasugune käepideme, seljatoe ja/või tagaosas külge kinnitatud koormus mõjutab sõiduki stabiilsust.
- ! Seljatoe taga olevasse taskusse võib panna kuni 0,45 kg koormuse.
- ! Korvi maksimaalne koormus on 10 kg.

Jalutuskäru kokkupanek

(Vt jooniseid leheküljel 1-16)

Lugege kõik selles juhendis olevad juhised läbi, enne kui hakkate toodet kasutama.

Avatud käru

Vt pilte 1 - 4

Võtke hoideriiv kinnituse 1 küljest lahti ning tõstke käepide üles 2 ja 3; kui kostab klõpsatus, siis on jalutuskäru täiesti avatud asendis.

! Enne kasutamist veenduge, et jalutuskäru on riivistatud asendis.

Esiratta paigaldamine ja eemaldamine

Vt pilte 5 - 6

Tagaratta paigaldamine ja eemaldamine

Vt pilte 7 - 9

Täielikult kokkupandud jalutuskäru on kujutatud joonisel 10

Jalutuskäru kasutamine

Seljatoe reguleerimine

Vaadake pilti 11

Seljatoel on 4 asendit.

Seljatoe tõstmiseks või langetamiseks pöörake kallutuskäepidet, mis asub istme taga, ja tõmmake seljatuge alla. 11

! Ärge vajutage kallutuskäepideme keskel olevat vabastusnuppu 11 - 3, kui seljatoe kallet reguleerite.

! Veenduge, et seljatugi on kasutamiseks sobivas asendis.

! Seljatoe taga olevasse taskusse võib panna kuni 0,45 kg koormuse.

Pandla kasutamine

Vt pilte 12 - 15

Pandla avamine

Vajutage nuppu – pannal avaneb automaatselt. 12

Pandla lukustamine

Pange võõrihma pannal kokku õlarihma pandlaga 15 - 1 ja seadke need kohakuti keskmise pandlaga; pannal võib sulguda automaatselt 15 - 2. Klõpsatus annab märku, et pannal on korralikult suletud. 15 - 3

! Kukkumisest või välja libisemisest tingitud tõsiste vigastuste vältimiseks kinnitage alati rakmed.

! Veenduge, et rakmed on lapsel tihedalt peal. Lapse ja õlarihma vahele peab jääma kõige rohkem kaelaba võrra vaba ruumi.

! Ärge pange õlarihmasid risti. Vastasel korral suruvad need lapse kaelale.

Õla- ja võõrihmade kasutamine

Vt pilte 16 - 19

! Lapse kaitsmiseks väljakukkumise eest kontrollige pärast lapse istmele panemist, kas õla- ja võõrihmad on õigel kõrgusel ja sobiva pikkusega.

16 - 1 Õlarihma ankur

16 - 2 Reguleerimispannal

Suurema lapse korral kinnitage õlarihma ankur kõrgemal olevasse kinnituskohta. Kui laps on veel väike, kasutage alumisi kinnituskohti.

Õlarihmade kinnituskoha muutmiseks pöörake ankur ava suunas. Lükake see tagant ettepoole läbi õlarihma ava 17. Kinnitage see lapse õla kõrgusele vastavasse avasse. 18

Rihmade pikkuse muutmiseks kasutage reguleerimispannalt. 19 - 1

Vajutage nuppu 19 - 2 ja reguleerige võõrihma pikkus sobivaks. 19 - 3

Tugikaare paigaldamine ja eemaldamine

Vt pilte 20 - 22

Sääretoa kasutamine

Vt pilte 23 - 24

Sääretool on 2 asendit.

Toe langetamiseks vajutage sääretoa kummalgi küljel olevaid reguleerimisnuppe 23 - 1 ja pöörake sääretuge alla. 23 - 2

Sääretoa ülespoole seadmiseks lükake seda üles. Klõpsatus annab märku, et tugi on korralikult fikseeritud.

Eesmise suunaluku kasutamine

Vaadake pilti 25

Esiratta lukustuse või vabastuse olek vastavalt joonisele 25.

Soovitus Suunalukke tuleks kasutada ebatasasel pinnal liikudes.

Piduri kasutamine

Vt pilte 26 - 27

Rataste lukustamiseks vajutage pidurihoob jalaga alla – punane indikaator tuleb nähtavale. 26

Rataste vabastamiseks tõmmake pidurihoob jalaga üles – roheline indikaator tuleb nähtavale. 27

Soovitus Ärge rakendage pidurit, kui jalutuskäru liigub.

Katuse kasutamine

Vt pilte 28 - 31

Saate katuse avada ja kokku panna – tõmmake seda ette- või tahapoole. 28

Lapse päikese eest kaitsmises saate avada katuse – avage tõmblukk 29 ja tõmmake katust ettepoole.

Katuses on aken, mille kaudu saate last vaadata. 30

Katuse saab lahti võtta, vt 31

Käepideme reguleerimine

Vaadake pilti 32

Käepidemel on 5 asendit.

Istme kõrguse reguleerimine

Vaadake pilti 33

Istmel on 3 asendit.

Vajutage istme kõrguse reguleerimisnuppe ja tõmmake istet üles või lükake alla, et istet allapoole seada. 33

Istme ümberpööramine

Vt pilte 34 - 41

Istme saab ümber pöörata, et laps vaataks teie poole.

Liigutage istme vabastusnuppe ja tõstke istet. Pöörake iste ringi ja paigaldage iste tagasi süvenditesse.

Süvendid peavad olema ühekõrgused, nagu näidatud joonisel 36; joonistel 37 ja 38 näidatud asendite korral vajutage istme kõrguse reguleerimisnuppe ja tõmmake istet üles ning lükake alla, et istet allapoole reguleerida, nii et mõlemad süvendid jäävad samale kõrgusele. 38

Kasutage õlarihma katet ja jalgadevaheliste rakmete katet

Vaadake pilti

Õlarihma katte või jalgadevaheliste rakmete katte saab eemaldada.

Õlarihma katte ja jalgadevaheliste rakmete katte paigaldamiseks toimige vastupidiselt.

Jalutuskäru kokkupanek



Vt pilte -

! Enne jalutuskäru kokkupanekut pange kokku selle katus.

! Seljatoe käepideme keskel olev nupp on mõeldud istme kokkupanemiseks.  - 1

! Kokkupandud jalutuskäru püsib püsti, kui käepide pole kõige ülemises asendis.

! Ärge pange raami kokku, kui esiratta pöörlemisriiv on lukustatud.


! Kui hoideriiv sulgub automaatselt kinnituse külge, on jalutuskäru fikseeritud kokkupandud asendisse.  ja 



Valikulise istmeosa kasutamine

Vt pilte -

Käru saab kasutada ühe või kahe istumisosa. Kui kasutate jalutuskäru raami koos istme, korvi (Versiti Ljisaiste), Joie kandehälli (ramble, ramble xl või calmi) või Joie turvahälliga (i-Sung 2, i-Gemm 3, i-Jemini, sprint või i-Level Pro), järgige alltoodud juhiseid.

! Kõik tarvikud EI OLE kaass kõikide mudelitega ja kõik kombinatsioonid pole lubatud.

! Kahe istekoha kasutamisel tuleb ülemine kinnitus reguleerida kõrgeimasse või keskmisesse asendisse. Teavet ülemise kinnituse asukoha kohta vt jooniselt 

! Ühe istme korral kasutage ainult ülemist kinnitust. Iste, kandehäll või turvahäll tuleb reguleerida keskmisesse või madalaimasse asendisse, kandekorv tuleb reguleerida ainult madalaimasse asendisse.  ja 

! ÄRGE kasutage käruraami koos istme, kandekorvi, kandehälli või turvahälliga viisil, mis on näidatud jooniselt 

Tarvikute kasutamine

Sõltuvalt piirkonnast võivad tarvikud olla saadaval eraldi või üldse mitte.

Kasutamine kandekorviga

Vt pilte -

Kasutage koos kandekorviga vastavalt järgmistele juhiste.

! Enne kandekorvi kinnitamist avage ühendus mõlemalt poolt. 

! Ärge pange jalutuskäru kokku, kui kandekorv on selle külge kinnitatud.

Kasutage imiku turvahälliga ülemist kinnitust

Vt pilte -

Kasutamisel koos Joie turvahälliga järgige järgmisi juhiseid.

! Adapteritel on samad tähed, mis on raami plastosal. 

! Klõpsatus annab märku, et adapterid on korralikult fikseeritud.

! Turvahälli kallet saab reguleerida vastavate adapterite abil. 

! Adapteritel on kolm asendit. Ärge toodet kasutage, kui lapse pea jääb turvaistmes tema jalgadest madalamale.

! Ärge pange jalutuskäru kokku, kui turvahäll on selle külge kinnitatud.

! Vajadusel juhinduge kasutatava turvahälli kasutusjuhendist.

Kasutage Joie kandehälliga ülemist kinnitust

Vt pilte -

Kasutage koos Joie kandehälliga vastavalt järgmistele juhiste.

! Klõpsatus annab märku, et adapterid on korralikult fikseeritud.

! Ärge toodet kasutage, kui lapse pea jääb kandehällis tema jalgadest madalamale.

! Koos kandehälliga kasutage alati madratsit.

! Ärge pange jalutuskäru kokku, kui sellele on paigaldatud kandehäll.

! Vajadusel juhinduge kasutatava kandeistme kasutusjuhendist.

Kasutage koos turvaistme turvahälliga alumist kinnitust

Vt pilte -

Kasutamisel koos Joie turvaistme või turvahälliga järgige järgmisi juhiseid.

! Enne kasutamist tõmmake alumine kinnitus mõlemalt poolt välja. 

! Saate alumise kinnituse kokku panna, vajutades mõlemal küljel olevaid nuppe. 

! Posti adapteritel on samad tähed, mis on raami plastosal. 

! Klõpsatus annab märku, et adapterid on korralikult fikseeritud.

! Turvahälli kallet saab reguleerida kolme asendisse vastavate adapterite abil. 

! Ärge toodet kasutage, kui lapse pea jääb turvaistmes või -hällis tema jalgadest madalamale.

! Koos kandehälliga kasutage alati madratsit.

! Ärge pange käru kokku, kui sellele on paigaldatud turva- või kandehäll.

! Probleemide korral turva- või kandehälliga lugege vastavaid kasutusjuhendeid.

Vihmakaitse kasutamine

Vaadake pilti

Vihmakaitse kasutamiseks pange see istme ümber.

! Kui kasutate vihmakaitset, kontrollige kindlasti õhuvahetust selle all.

! Kui te vihmakaitset enam ei kasuta, puhastage ja kuivatage seda enne kokkuvoltimist.

! Ärge pange jalutuskäru kokku, kui vihmakaitse on paigaldatud.

! Kuuma ilma korral ärge pange last jalutuskärusse, kui vihmakaitse on sellele paigaldatud.

Puhastamine ja hooldus

Vaadake pilti


! Puhastage jalutuskäru raami ainult seebi ja sooja veega. Ärge kasutage valgendit ega pesuainet. Jalutuskäru kanga puhastamisel järgige hooldussildi juhiseid.

! Enne seadme pesemist eemaldage pehmed osad. Ärge kasutage valgendit. Ärge pöörake istmekatet ja sisepolstrit kiiremaks kuivatamiseks ümber. Istmekate ja sisemine polster võib jääda kortsu.

! Kontrollige jalutuskäru aeg-ajalt lahti tulnud kruvide, kulunud osade, rebenenud materjali ja õmbluste suhtes. Vahetage osad vajadusel välja või parandage. Puhastage plastist osi aeg-ajalt pehme niiske lapiga. Kuivatage metalloosi alati rooste vältimiseks, kui jalutuskäru on saanud märjaks.

! Hoidmine päikese käes või kuumas kohas võib põhjustada osade pleekimist või deformeerumist.

! Kui jalutuskäru saab märjaks, avage katus ja laske kärul enne hoiule panekut korralikult kuivada.

! Kui rattad kriuksuvad, kasutage vedelat õli (nt silikoonõli, roostetõrjeõli või õmblusmasinaõli). Õli peab jõudma telje ja ratta vahele. 

! Kui kasutate jalutuskäru rannas vm liivases/tolmuses kohas, puhastage käru pärast kasutamist, eemaldades mehhaaniliselt osadelt ja ratastelt liiva ja soola.

LV Laipni lūdzam Joie™

Apsveicam, ka kļuvāt par daļu no Joie ģimenes! Mēs esam tik priecīgi būt par daļu no jūsu un mazuļa dzīves. Braucot ar Joie versiti, izmantojat augstas kvalitātes, pilnībā sertificētus ratiņus, kas apstiprināti ar Eiropas drošības standartu EN 1888-2:2018+A1:2022. Ratiņi ir paredzēti bērniem no dzimšanas līdz 15 kg ar atpakaļvērsto pozu un no dzimšanas līdz 22 kg vai 4 gadiem (atkarībā, kurš no lielumiem ir pirmais) ar uz priekšu vērsto pozu. Rūpīgi izlasiet šo rokasgrāmatu un ievērojiet katru darbību, lai bērnam nodrošinātu ērtu braucienu un aizsardzību.

SVARĪGI! RŪPĪGI IZLASIET UN SAGLABĀJIET TOS TURPMĀKĀM UZZIŅĀM.

Apmeklējiet vietni joiebaby.com, lai lejupielādētu rokasgrāmatas un skatītu vairāk Joie izstrādājumu.

Garantijas informāciju skatiet mūsu tīmekļa vietnē joiebaby.com

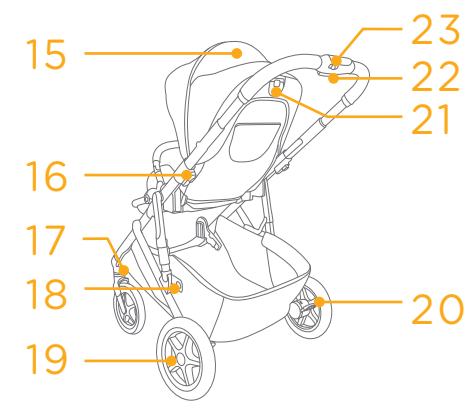
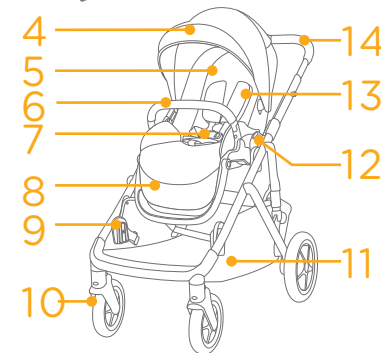
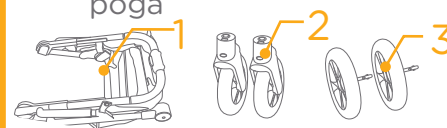
Ārkārtas situācija

Ārkārtas situācijā vai nelaimes gadījumā vissvarīgāk ir nekavējoties bērnam sniegt pirmo palīdzību un medicīnisko palīdzību.

Detalju saraksts

Pirms salikšanas pārlicinieties, vai visas detaļas ir pieejamas. Ja kādas detaļas trūkst, sazinieties ar vietējo izplatītāju. Montāžai nav nepieciešami papildu rīki.

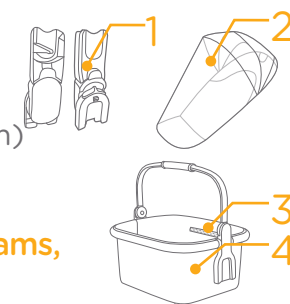
- | | |
|-------------------------------|------------------------------------------------------|
| 1. Ratiņu rāmis | 13. Plecu sikсна |
| 2. Priekšējie riteņi | 14. Rokturis |
| 3. Aizmugurējie riteņi | 15. Jumtiņa lodziņš |
| 4. Jumtiņš | 16. Sēdekļa augstuma regulēšanas pogas |
| 5. Sēdekļa paliktnis | 17. Grozīšanas fiksators |
| 6. Elkoņu atbalsts | 18. Uzglabāšanas fiksators |
| 7. Sprādze | 19. Aizmugurējais ritenis |
| 8. Apakšstilba balsts | 20. Bremzes svira |
| 9. Apakšējais stiprinājums | 21. Atliecamais rokturis |
| 10. Priekšējais ritenis | 22. Roktura regulēšanas poga / vienas rokas rokturis |
| 11. Uzglabāšanas grozs | 23. Grozīšanas fiksators |
| 12. Sēdekļa atbrīvošanas poga | |



Piederumi (var nebūt ietverti)

1. Adapteris (noteiktiem modeļiem)
2. Lietus pārsegs (noteiktiem modeļiem)
3. Rokas groza kabata
4. Rokas grozs (noteiktiem modeļiem)

Atkarībā no reģiona piederumi, iespējams, tiek pārdoti atsevišķi vai nav pieejami.



BRĪDINĀJUMS

- ! Vienmēr lietojiet piesprādzēšanās sistēmu.
- ! Pirms izmantošanas pārliedziniet, vai visas fiksēšanas ierīces ir aktīvas.
- ! Neļaujiet bērnam spēlēties ar šo izstrādājumu.
- ! Pirms lietošanas pārbaudiet, vai ratiņu rāmis, sēdekļi un automašīnas sēdekļa palīgierīces ir pareizi nofiksētas.
- ! Salikšana jāveic pieaugušajam.
- ! Lietojiet ratiņus vienlaikus tikai vienam bērnam. Ratiņi ir paredzēti bērniem no dzimšanas līdz 15 kg ar atpakaļvērsto pozū un no dzimšanas līdz 22 kg vai 4 gadiem (atkarībā, kurš no lielumiem ir pirmais) ar uz priekšu vērstu pozū.
- ! Ja ratiņus lieto bērniem, kuru svars pārsniedz 15 kg un kuri sēž ar seju uz aizmuguri vai kuru svars pārsniedz 22 kg un kuri sēž ar seju uz priekšu, radīsies pārmērīgs nodilums un spriedze uz šiem ratiņiem.
- ! Lai novērstu bīstamus, nestabilus apstākļus, nenovietojiet uzglabāšanas grozā vairāk par 10kg.
- ! Nekad neatstājiet bērnu bez uzraudzības.
- ! Nekad nenovietojiet somas, iepirkumu maisiņus, paciņas un piederumus uz roktura vai jumtiņa.
- ! Nedrīkst izmantot piederumus, kurus nav apstiprinājis ražotājs.
- ! Drīkst izmantot tikai ražotāja piegādātās vai ieteiktās rezerves daļas.
- ! Lai izvairītos no traumām, nodrošiniet, ka izstrādājuma salocīšanas laikā bērns neatrodas tuvumā.
- ! Šis izstrādājums nav piemērots skriešanai vai skeitošanai.
- ! Saliekamos ratiņus, kas paredzēti lietošanai kopš dzimšanas, jaundzimušajiem ieteicams izmantot visvairāk atliekto stāvokli.
- ! Ievietojot un izņemot bērnu, bremzēm ir jābūt nofiksētām.
- ! Automašīnas sēdekļiem, ko lieto kopā ar rāmi, šie ratiņi neaizstāj bērnu gultiņu vai gultu. Ja bērnam ir jāguļ, viņš ir jāievieto atbilstošos ratos, šūpulī vai gultiņā.
- ! Pārnēsātāju nedrīkst izmantot. Līdz bērns pats var sēdēt, apgāzties un var pacelt sevi uz rokām un kājām. Maksimālais bērna svars: 9 kg.
- ! Papildu matracis nav jāpievieno, ja ražotājs to neiesaka.
- ! Jebkāds uz roktura un/vai atzveltnes aizmugurē un/vai ratiņu sānos uzstādīts svars var ietekmēt ratiņu stabilitāti.
- ! Uzglabāšanas kabatas maksimālais svars atzveltnes aizmugurē ir 0,45 kg (1 mārciņa).
- ! Maksimālā slodze uz rokas grozu ir 10 kg.

Ratiņu montāža

(Skatiet attēlus 1.–16. lappusē)

Pirms šī izstrādājuma salikšanas un lietošanas pilnībā izlasiet visu šajā lietošanas rokasgrāmatā sniegto informāciju.

Ratiņu atvēršana

skatiet attēlus 1 - 4

Atdaliet uzglabāšanas fiksatoru no uzglabāšanas stiprinājuma 1 un pēc tam paceliet rokturi augšup 2 un 3, klikšķis nozīmē, ka ratiņi ir pilnībā atvērti.

! Pirms turpināt lietošanu, pārbaudiet, vai ratiņi ir pilnībā nofiksēti.

Priekšējā riteņa uzstādīšana un noņemšana

skatiet attēlus 5 - 6

Aizmugurējā riteņa uzstādīšana un noņemšana

skatiet attēlus 7 - 9

Pilnībā salikti ratiņi ir redzami kā 10

Ratiņu lietošana

Atzveltnes regulēšana

sk. attēlu 11

Atzveltnē pieejami 4 slīpuma leņķi.

Lai paceltu vai nolaištu atzveltni, grieziet nolaišanas rokturi sēdekļa aizmugurē. 11

! Nospiediet atbrīvošanas pogu 1 - 3 uz atliekamā roktura vidusdaļas, kad regulējat slīpuma nolaišanas leņķi.

! Pārliedzinieties, vai slīpums ir iestatīts pareizi.

! Uzglabāšanas kabatas maksimālais svars atzveltnes aizmugurē ir 0,45 kg.

Sprādzes lietošana

skatiet attēlus 12 - 13

Sprādzes atbrīvošana

Nospiediet pogu, sprādze tiek atbrīvota automātiski. 12

Sprādzes fiksēšana

Salāgojiet jostas siksnas sprādzi ar plecu siksnas sprādzi 13 - 1 un salāgojiet tās ar centrālo sprādzi.

Sprādze automātiski nofiksējas 13 - 2. "Klikšķis" norāda, ka sprādze ir pilnībā nofiksēta. 13 - 3

! Lai izvairītos no nopietnām traumām, nokrītot vai izslīdot, vienmēr nostipriniet bērnu ar drošības aprīkojumu.

! Pārliedzinieties, vai bērns ir cieši nostiprināts. Vietai starp bērnu un plecu siksnu ir jābūt aptuveni rokas biezumā.

! Nekrustojiet plecu siksnas. Tas var radīt spiedienu uz bērna kaklu.

Plecu un jostas vietas siksnas lietošana

skatiet attēlus 14 - 15

! Lai aizsargātu bērnu no izkrišanas, pēc bērna ievietošanas krēslā pārbaudiet, vai plecu un jostas siksnas atrodas atbilstošā augstumā un ir atbilstoša garuma.

14 - 1 Plecu siksnas stiprinājums

14 - 2 Bīdāms pielāgotājs

Lielam bērnam izmantojiet pleca siksnas stiprinājumu un augstākās plecu gropes. Mazam bērnam izmantojiet pleca siksnas stiprinājumu un zemākās pleca gropes.

Lai pielāgotu plecu siksnas stiprinājuma pozīciju, pagrieziet stiprinājumu vienā līmenī ar to pusi, kas ir uz priekšu. Izvelciet caur plecu siksnas atveri no aizmugures uz priekšu 17. Izvelciet to caur spraugu, kas ir vistuvāk bērna pleca augstumam. 15

Izmantojiet bīdāmo pielāgotāju, lai mainītu siksnas garumu. 15 - 1

Nospiediet pogu 15 - 2, velkot jostas siksnu atbilstošajā garumā. 15 - 3

Roku balsta uzstādīšana un noņemšana

skatiet attēlus 16 - 17

Apakšstilba atbalsta regulēšana

skatiet attēlus 18 - 19

Apakšstilba atbalstam ir 2 pozīcijas.

Lai nolaištu apakšstilba atbalstu, abās apakšstilba atbalsta 18 - 1 pusēs nospiediet regulēšanas pogas un grieziet apakšstilba atbalstu uz leju. 18 - 2

Lai paceltu apakšstilba atbalstu, spiediet to uz augšu. "Klikšķis" norāda, ka teļš ir pilnībā nofiksēta.

Priekšējā grozāmā fiksatora lietošana

sk. attēlu 20

Bloķēta vai atbloķēta priekšējā riteņa statuss kā 20.

Padoms Grozāmo fiksatoru ieteicams izmantot uz nelīdzenām virsmām.

Bremžu lietošana

skatiet attēlus 21 - 22

Lai nofiksētu riteņus, nospiediet ar kāju bremžu sviru uz leju; indikators būs redzams sarkanā krāsā. 21

Lai atbrīvotu riteņus, vēlreiz nospiediet ar kāju bremžu sviru uz leju; indikators ir redzams zaļā krāsā.

22

Padoms Vienmēr aktivizējiet stāvbremzes, kad ratiņi nepārvietojas.

Jumtiņa izmantošana

skatiet attēlus 23 - 24

Jumtiņu var atvērt vai aizvērt, velkot uz priekšu vai atpakaļ. 23

Jumtiņu iespējams pilnībā atvērt, lai aizsargātu bērnu no saules, vienkārši attaisiet rāvējslēdzēju 24 un pēc tam velciet jumtiņu uz priekšu.

Uz jumtiņa ir logs, caur kuru varat redzēt bērnu. 24

Jumtiņu var noņemt, kā parādīts 24

Roktura regulēšana

sk. attēlu 25

Rokturim ir 5 pozīcijas.

Sēdekļa augstuma regulēšana

sk. attēlu 26

Sēdeklim ir 3 pozīcijas.

Spiediet sēdekļa augstuma regulēšanas pogu un velciet augšup, lai palielinātu, vai spiediet lejup, lai samazinātu sēdekļa augstumu. 26

Sēdekļa pārslēgšana

skatiet attēlus 27 - 28

Sēdekli var apgriezt, kas nodrošina iespēju mātei un bērnam skatīties vienam uz otru.

Bīdiet sēdekļa atbrīvošanas pogas, vienlaikus ceļot sēdekli. Grieziet sēdekli apgrieztā stāvoklī un ievietojiet sēdekli uz sēdekļa stiprinājumiem.

Abiem sēdekļa stiprinājumiem ir jābūt 27 parādītajā līmenī, ja rodas 27 un 28 situācija, spiediet sēdekļa augstuma regulēšanas pogu un pavelciet augšup vai spiediet lejup, lai pielāgotu sēdekļa stiprinājumu un pārliedzinātos, ka abi sēdekļa stiprinājumi ir vienā līmenī. 28

Izmantojiet plecu siksnu pārsegu un kājstarpes siksnas pārsegu

sk. attēlu 

Plecu siksnu pārsegu vai kājstarpes siksnas pārsegu var noņemt no siksnas. Plecu siksnu pārsegu vai kājstarpes siksnas pārsegu uzliek apgriezta secībā.

Ratiņu salocīšana


skatiet attēlus  - 

! Pirms ratiņu salocīšanas salokiet jumtiņu.

! Poga atliecāmā roktura vidusdaļā tiek izmantota sēdekļa salocīšanai.  - 1

! Salocītus ratiņus var novietot stāvus, kad rokturis atrodas augstākajā pozīcijā.

! Nelokiet rāmi, kad ir nofiksēts priekšējā riteņa grozīšanas fiksators.

! Uzglabāšanas stiprinājums automātiski nofiksēsies uz uzglabāšanas stiprinājuma, pēc tam ratiņi ir salocīti un pilnībā nofiksēti.  un 



Sēdēšanas opcijas lietošana

skatiet attēlus  - 

Ratiņus var izmantot divvietīgā režīmā un vienvietīgā režīmā. Kad izmantojat ratiņu rāmi ar sēdekli (Versiti Papildu Sēdekļis), rokas grozu, Joie pārnēsātāju (ramble, ramble xl and calmi) vai Joie pasivās drošības aprīkojumu (i-Sung 2, i-Gemm 3, i-Jemini, sprint and i-Level Pro), skatiet norādījumus tālāk.

! NE visi piederumi ir ietverti visiem modeļiem un nav pieejami visi režīmi.

! Izmantojot divvietīgajā režīmā, augšējais stiprinājums ir jāpielāgo visaugstākajai pozīcijai vai vidējai pozīcijai. Augšējā stiprinājuma īpašo pozīciju skatiet  attēlā.

! Izmantojot vienvietīgajā režīmā, drīkst izmantot tikai ar augšējo stiprinājumu. Sēdekļis, pārnēsātājs vai zīdaiņu pasivās drošības aprīkojums ir jāpielāgo vidējā vai zemākajā pozīcijā, rokas grozs ir jāpielāgo tikai zemākajā pozīcijā.  un 

! NELIETOJIET ratiņu rāmi ar sēdekli, rokas grozu, pārnēsātāju vai zīdaiņu pasivās drošības aprīkojumu, kā parādīts 

Piederumu lietošana

Atkarībā no reģiona piederumi, iespējams, tiek pārdoti atsevišķi vai nav pieejami.

Lietojiet ar rokas grozu

skatiet attēlus  - 

Kad izmantojat ar rokas grozu, skatiet norādījumus tālāk.

! Pirms uzstādīt rokas grozu, atveriet stiprinājumu abās pusēs. 

! Nesalokiet ratiņus, kad ir uzstādīts rokas grozs.

Lietošana ar zīdaiņu stiprinājumu uz augšējā stiprinājuma

skatiet attēlus  - 

Kad lieto ar Joie zīdaiņu stiprinājumu, skatiet norādījumus tālāk.

! Burti uz adapteriem ir tādi paši kā uz rāmja plastmasas. 

! “Klikšķis” norāda, ka adapteris ir pilnībā nofiksēts.

! Zīdaiņu stiprinājuma leņķi var pielāgot ar pielāgojamiem adapteriem. 

! Adapteriem ir 3 pozīcijas. Nelietojiet izstrādājumu, kad pēc zīdaiņu stiprinājuma bērna galva ir zemāk par kājām.

! Nesalokiet ratiņus, kad ir uzstādīts zīdaiņu/bērnu stiprinājums.

! Ja rodas kādas problēmas ar zīdaiņu/bērnu stiprinājuma lietošanu, skatiet to lietotāja rokasgrāmatas.

Lietošana ar Joie pārnēsātāju uz augšējā stiprinājuma

skatiet attēlus  - 

Kad izmantojat ar Joie pārnēsātāju, skatiet norādījumus tālāk.

! “Klikšķis” norāda, ka adapteris ir pilnībā nofiksēts.

! Nelietojiet izstrādājumu, kad pēc pārnēsātāja stiprināšanas bērna galva ir zemāk par kājām.

! Vienmēr ar pārnēsātāju lietojiet matraci.

! Nesalokiet ratiņus, kad uzstādīts pārnēsātājs.

! Ja rodas kādas problēmas ar pārnēsātāja lietošanu, skatiet to lietotāja rokasgrāmatas.

Lietošana ar zīdaiņu stiprinājumu un pārnēsātāju uz apakšējā stiprinājuma

skatiet attēlus  - 

Kad lieto ar Joie zīdaiņu stiprinājumu, skatiet norādījumus tālāk.

! Pirms lietošanas abās pusēs velciet uz āru apakšējo stiprinājumu. 

! Apakšējo stiprinājumu var salocīt, nospiežot pogas abās pusēs. 

! Burti uz adapteriem ir tādi paši kā uz rāmja plastmasas. 

! “Klikšķis” norāda, ka adapteris ir pilnībā nofiksēts.

! Zīdaiņu stiprinājuma leņķi var pielāgot 3 pozīcijās ar pielāgojamiem adapteriem. 

! Nelietojiet izstrādājumu, kad pēc zīdaiņu stiprinājuma vai pārnēsātāja uzstādīšanas, bērna galva ir zemāk par kājām.

! Vienmēr ar pārnēsātāju lietojiet matraci.

! Nesalokiet ratiņus, kad uzstādīts bērnu stiprinājums vai pārnēsātājs.

! Ja rodas kādas problēmas ar zīdaiņu stiprinājuma lietošanu, skatiet to lietotāja rokasgrāmatas.

Lietus pārsega lietošana

sk. attēlu 

Lai saliktu lietus pārsegu, novietojiet to pāri sēdeklim.

! Kad izmantojat lietus pārsegu, vienmēr pārbaudiet tā ventilāciju.

! Kad netiek izmantots, vienmēr pārbaudiet, vai pirms salocīšanas lietus pārsegs ir notīrīts un izžāvēts.

! Nesalokiet ratiņus, kad ir uzstādīts lietus pārsegs.

! Karstā laikā neievietojiet bērnu ratiņos, kuriem uzstādīts lietus pārsegs.

Tīrīšana un apkope

sk. attēlu 

! Lai tīrītu ratiņu rāmi, lietojiet tikai mājāsaimniecības ziepes un siltu ūdeni. Nelietojiet balinātāju un mazgāšanas līdzekli. Norādījumus par ratiņu auduma daļu tīrīšanu skatiet kopšanas etiķetē.

! Noņemamos mīkstos paliktņus var mazgāt veļas mazgājamajā mašīnā. Nelietojiet balinātāju. Negrieziet sēdekļa pārsegu un iekšējo paliktņi, lai izžmiegtu mitrumu. Tas var atstāt uz sēdekļa pārsega un iekšējā paliktņa krokas.

! Laiku pa laikam pārbaudiet, vai ratiņiem nav atbrīvojušās skrūves, nodilušas detaļas, saplīsis materiāls un šuves. Nomainiet vai salabojiet detaļas, ja nepieciešams. Periodiski noslaukiet plastmasas detaļas ar mitru drānu. Vienmēr nožāvējiet metāla detaļas, lai novērstu rūsas rašanos, ja ratiņi nonāk saskarē ar ūdeni.

! Pārmērīga saules vai karstuma iedarbība var izraisīt daļu izbalēšanu vai deformāciju.

! Ja ratiņi kļūst mitri, pirms uzglabāšanas atveriet jumtiņu un ļaujiet tam nožūt.

! Ja riteņi čīkst, izmantojiet vieglu eļļu (piemēram, silikona aerosolu, pretrūsas eļļu vai šujmašīnas eļļu). Svarīgi, lai eļļa iekļūtu arī un riteņos. 

! Lietojot ratiņus pludmalē vai citās smilšainās/putekļainās vietās, pēc lietošanas pilnībā notīriet ratiņus, lai smiltis un sāļi noņemtu no mehānismiem un riteņiem.

LT Sveiki! Tai – „Joie™“!

Sveikiname prisijungus prie „Joie“ šeimos! Mes labai džiaugiamės galėdami būti jūsų ir jūsų mažylio kelionės dalimi. Naudodami „Joie versiti“, džiaugsitės visapusiškai sertifikuotu aukštos kokybės vaikišku vežimėliu, patvirtintu pagal Europos saugos standartus EN 1888-2:2018+A1:2022. Vežimėlis yra skirtas vaikams nuo gimimo iki 15 kg svorio, naudojant režimu, kai vaikas yra apgręžtas atgal, ir nuo gimimo iki 22 kg svorio arba 4 metų amžiaus (atsižvelgiant į tai, kas įvyksta pirmiau), naudojant režimu, kai vaikas yra nukreiptas pirmyn. Atidžiai perskaitykite šią naudojimo instrukciją ir vykdykite kiekvieną veiksmą, kad užtikrintumėte patogų vežiojimą ir geriausią vaiko apsaugą.

SVARBU! ATIDŽIAI PERSKAITYKITE IR IŠSAUGOKITE ATEIČIAI.

Apsilankykite mūsų svetainėje joiebaby.com ir atsisiųskite naudojimo instrukcijas bei pasidomėkite kitais įdomiais „Joie“ gaminiais!

Informacijos apie garantiją rasite apsilankę mūsų tinklapyje joiebaby.com.

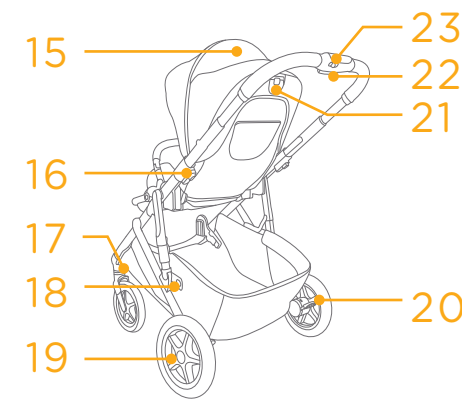
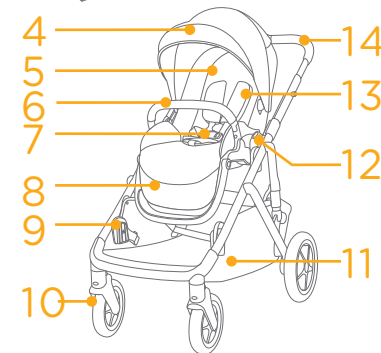
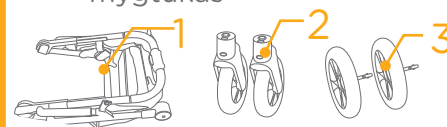
Kritinė situacija

Ekstremalios situacijos arba nelaimingo atsitikimo atveju svarbiausia, kad jūsų vaikui būtų nedelsiant suteikta pirmoji pagalba ir medicininis gydymas.

Dalių sąrašas

Prieš surinkdami įsitikinkite, kad yra visos dalys. Jei trūksta kurios nors dalies, susisieki su pardavėju. Gaminiui surinkti nereikia jokių įrankių.

- | | | | |
|----|-------------------------------|----|-----------------------------------------------------------------|
| 1 | Vaikiško vežimėlio rėmas | 13 | Perpetinis diržas |
| 2 | Priekiniai ratukai | 14 | Rankena |
| 3 | Galiniai ratukai | 15 | Stoglangis |
| 4 | Stogelis | 16 | Sėdynės aukščio reguliavimo mygtukai |
| 5 | Minkštoji sėdynės dalis | 17 | Lanksto fiksatorius |
| 6 | Rankena | 18 | Krepšio fiksatorius |
| 7 | Sagtis | 19 | Galinis ratukas |
| 8 | Blauzdų atrama | 20 | Stabdžių svirtis |
| 9 | Apatinis laikiklis | 21 | Atlošo rankena |
| 10 | Priekinis ratas | 22 | Rankenos reguliavimo mygtukas / viena ranka sulankstoma rankena |
| 11 | Krepšys daiktams | 23 | Antrinis fiksatorius |
| 12 | Sėdynės atlaisvinimo mygtukas | | |

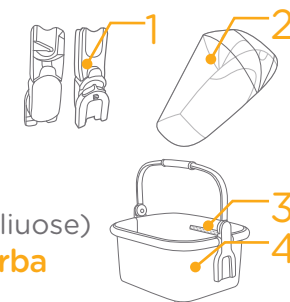


Priedai

(gali būti įsigijami atskirai)

- | | |
|---|--------------------------------------------------|
| 1 | Adapteris (tam tikruose modeliuose) |
| 2 | Apdangalas nuo lietaus (tam tikruose modeliuose) |
| 3 | Rankinis krepšelis-kišenė |
| 4 | Rankinis krepšelis (tam tikruose modeliuose) |

Priedai gali būti parduodami atskirai arba visai nesiūlomi, atsižvelgiant į regioną.



ĮSPĖJIMAS

- ! Visada naudokite apsauginę sistemą.
- ! Prieš naudodami įsitikinkite, kad visi fiksavimo įtaisai yra užfiksuoti.
- ! Neleiskite vaikui žaisti su šiuo gaminiu.
- ! Prieš naudodami patikrinkite, ar vežimėlio rėmo, sėdynės arba automobilinės kėdutės tvirtinimo įtaisai yra tinkamai užfiksuoti.
- ! Gaminį privalo surinkti suaugęs asmuo.
- ! Vežimėlyje vienu metu vežkite tik vieną vaiką. Vežimėlis yra skirtas vaikams nuo gimimo iki 15 kg svorio, naudojant režimu, kai vaikas yra apgręžtas atgal, ir nuo gimimo iki 22 kg svorio arba 4 metų amžiaus (atsižvelgiant į tai, kas įvyksta pirmiau), naudojant režimu, kai vaikas yra nukreiptas pirmyn.
- ! Naudojant vežimėlį vaikui, sveriančiam daugiau kaip 15 kg (vežimėlį atsukus į galą) arba daugiau kaip 22 kg (vežimėlį atsukus į priekį), vežimėlis bus pernelyg apkrautas ir greitai nusidėvės.
- ! Į krepšį daiktams laikyti nedėkite daugiau nei 10 kg, kad nekiltų pavojingų sąlygų ir vežimėlis neprarastų stabilumo.
- ! Niekada nepalikite vaiko be priežiūros.
- ! Niekada nedėkite piniginių, pirkinių krepšių, siuntinių ar aksesuarų ant rankenos ar stogelio.
- ! Draudžiama naudoti gamintojo nepatvirtintus priedus.
- ! Rekomenduojama naudoti tik pateiktąsias arba gamintojo rekomenduojamas atsargines dalis.
- ! Išlankstydami ir sudėdami šį gaminį užtikrinkite, kad vaikas būtų atokiai, kad išvengtumėte sužalojimų.
- ! Šis gaminys netinkamas naudoti bėgiojant ar čiuožiant.
- ! Vaikiškas vežimėlis skirtas naudoti nuo pat gimimo; naujagimiams atlošą rekomenduojama visiškai nuleisti.
- ! Sodinant ar guldant vaikus ir iškeliant juos iš vežimėlio, privaloma įjungti vežimėlio stabdžius.

- ! Naudojant šio vežimėlio rėmą su automobilinėmis kėdutėmis ar išimamais lopšiais, jis neatstoja vaikiškos lovelės arba lovos. Jei jūsų vaikui reikia miegoti, jį privaloma paguldyti į tam tinkamą vaikišką vežimėlį, vaikišką lovelę ar lovą.
- ! Nešiojamojo lopšio naudoti negalima, vos tik vaikas sugeba pats atsisėsti, apsiversti ir atsikelti, pasiremdamas rankomis ir keliais. Maksimalus vaiko svoris: 9 kg.
- ! Negalima tiesti papildomų čiužinukų, nebent tai rekomenduotų gamintojas.
- ! Bet koks svoris, pritvirtintas prie rankenos ir (arba) atlošo galo ir (arba) vežimėlio šonų, turės įtakos vežimėlio stabilumui.
- ! Į nugaros atlošo gale esantį krepšį galima dėti ne daugiau nei 0,45 kg (1 svaro svorio daiktų).
- ! Didžiausia rankinio krepšio apkrova – 10 kg.

Vaikiško vežimėlio surinkimas

(Žr. 1-16 puslapiuose esančius paveikslėlius)

Prieš surinkdami šį gaminį ir juo naudodamiesi, atidžiai perskaitykite visą naudojimo instrukciją.

Atviras vežimėlis

žr. pav. 1 - 4

Atlenkite fiksavimo skląstį nuo fiksavimo laikiklio ①, tada pakelkite rankeną aukštyn ② ir ③ pasigirdę spragtelėjimas reikš, kad vežimėlis yra visiškai paruoštas išskleisti.

! Prieš naudodami, patikrinkite, ar vaikiškas vežimėlis yra visiškai užfiksuotas.

Priekinių ratukų sumontavimas ir išmontavimas

žr. pav. 5 - 6

Galinių ratukų sumontavimas ir išmontavimas

žr. pav. 7 - 9

Visiškai surinktas vežimėlis privalo atrodyti taip, kaip pavaizduota ⑩

Vaikiško vežimėlio naudojimas

Nugaros atlošo reguliavimas

žr. pav. 11

Nugaros atlošą galima atlošti 4 kampais.

Norėdami pakelti ar atlošti atlošą, pasukite atlošo rankeną ant sėdynės atlošo, tada patraukite atlošą žemyn. ⑪

! Nespauskite atlošo rankenos viduryje esančio atlaisvinimo mygtuko ⑪ - 3 reguliuodami atlošo kampą.

! Įsitikinkite, kad atlošas yra tinkamai nustatytas.

! Į nugaros atlošo gale esantį krepšį galima dėti ne daugiau nei 0,45 kg svorio daiktų.

Sagties naudojimas

žr. pav. 12 - 15

Atsekite sagtį

Paspauskite mygtuką ir sagtis bus automatiškai atsegta. ⑫

Fiksavimo sąvara

Pritaikykite juosmens diržo sagtį prie perperinio diržo sagties ⑬ - 1 ir sulygiuokite jas su centre sagtimi. Sagtis gali užsisesti automatiškai ⑬ - 2. Pasigirdę spragtelėjimas reiškia, kad sagtis užsegta tinkamai. ⑬ - 3

! Visada prisekite vaiką diržais, kad jis neišslystų, nenukristų ir sunkiai nesusižalotų.

! Patikrinkite, ar vaikas yra tinkamai pritvirtintas, ar diržai neatsilaisvinę. Tarp vaiko ir perperinių diržų privaloma palikti maždaug vienos rankos pločio tarpą.

! Nesukryžiuokite perperinių diržų. Antraip galite suspausti vaiko kaklą.

Perperinių ir juosmens diržų naudojimas

žr. pav. 14 - 16

! Kad vaikas neiškristų, pasodinę ar paguldę vaiką ant sėdynės, patikrinkite, ar perperiniai ir juosmens diržai yra tinkamame aukštyje ir ar jie yra tinkamo ilgio.

⑭ - 1 Perperinio diržo fiksatorius

⑭ - 2 Slankusis reguliatorius

Didesniam vaikui naudokite perperinių diržų fiksatorių ir aukščiausiai esančias angas perperiniams diržams. Mažesniam vaikui naudokite perperinių diržų fiksatorių ir žemiausiai esančias angas perperiniams diržams.

Norėdami sureguliuoti perperinių diržų fiksatoriaus padėtį, pasukite fiksatorių taip, kad jo šonas būtų nukreiptas į priekį. Prakiškite jį pro perperinių diržų angą iš galo į priekį ⑰. Dar kartą perkiškite jį pro angą, kuri yra arčiausiai vaiko pečių aukščio. ⑱

Norėdami pakeisti diržų ilgį, naudokite slankųjį reguliatorių. ⑲ - 1

Paspauskite mygtuką ⑲ - 2, tuo pat metu ištraukdami juosmens diržus iki tinkamo ilgio. ⑲ - 3

Rankenos sumontavimas ir išmontavimas

žr. pav. 20 - 22

Blauzdų atramos reguliavimas

žr. pav. 23 - 24

Blauzdų atrama turi 2 padėtis.

Norėdami nuleisti blauzdos atramą, paspauskite reguliavimo mygtukus abiejose blauzdos atramos pusėse 25 - 1 ir nuleiskite blauzdos atramą žemyn. 25 - 2

Norėdami pakelti blauzdos atramą, pakelkite ją į viršų. Pasigirdę spragtelėjimas reiškia, kad blauzdų atrama yra tinkamai užfiksuota.

Priekinio lanksto fiksatoriaus naudojimas

žr. pav. 26

Priekinis ratas blokuojamas arba atlaisvinamas, kaip pavaizduota 26.

Patarimas Važiuojant nelygiomis vietovėmis, lankstus rekomenduojama užfiksuoti, kad nesisukiotų.

Stabdžių naudojimas

žr. pav. 27 - 27

Norėdami užblokuoti ratukus, paspauskite stabdžių svirtį žemyn; matysite raudoną indikatorį. 27

Norėdami atlaisvinti ratukus, dar kartą paspauskite stabdžių svirtį žemyn; matysite žalią indikatorį. 27

Patarimas Visada įjunkite stovėjimo stabdį, kai vežimėlis nejuda.

Stogelio naudojimas

žr. pav. 28 - 31

Stogelį galima pakelti arba nuleisti, traukiant jį į priekį arba atgal. 28

Stogelį galima visiškai išskleisti, kad jūsų vaikas būtų visiškai apsaugotas nuo saulės - tiesiog atsekite užtrauktuką 29 ir patraukite stogelį į priekį.

Stogelyje yra langelis, pro kurį galėsite matyti savo kūdikį. 30

Stogelį galima nuimti, kaip parodyta 31

Rankenos reguliavimas

žr. pav. 32

Galima nustatyti 5 rankenos padėtis.

Sėdynės aukščio reguliavimas

žr. pav. 33

Sėdynė turi 3 padėtis.

Paspauskite sėdynės aukščio reguliavimo mygtukus ir patraukite aukštyn, jei norite padidinti sėdynės aukštį, arba stumkite žemyn, jei sėdynės aukštį norite sumažinti. 33

Sėdynės apsikimas

žr. pav. 34 - 41

Sėdynę galima apsukti, kad vaikas ir mama būtų atsukę vienas į kitą.

Keldami sėdynę, stumkite sėdynės atlaisvinimo mygtukus. Pasukite sėdynę priešinga kryptimi ir įtaisykite sėdynę į sėdynės laikiklius.

Abu sėdynės laikikliai privalo būti vienodame aukštyje, kaip pavaizduota 35; jei jie yra 37 ir 38 pavaizduotose padėtyse, paspauskite sėdynės aukščio reguliavimo mygtuką ir patraukite aukštyn, tada paspauskite žemyn, kad nuleistumėte sėdynę ir abu laikikliai būtų vienodame aukštyje. 35

Perpetinių ir tarpkojo diržų įdėklų naudojimas

žr. pav. 42

Perpetinių ir tarpkojo diržų įdėklus galima nuimti nuo diržų.

Norėdami vėl uždėti perpetinių ir tarpkojo diržų įdėklus, atlikite veiksmus atvirkštine eilės tvarka.

Vaikiško vežimėlio sulankstymas

žr. pav. 43 – 45

! Norėdami sulankstyti vežimėlį, pirmiausiai nuleiskite jo stogelį.

! Sėdynei sulankstyti naudojamas mygtukas yra atlošiamos rankenos viduryje. 44 – 1

! Sulankstytas vežimėlis gali stovėti, jei tik rankena nėra žemiausioje padėtyje.

! Jei priekinio rato lankstas bus užblokuotas, rėmo sudėti nepavyks.

! Fiksavimo skląstis automatiškai užsikabins už fiksavimo laikiklio, tuomet vežimėlis bus sudėtas ir visiškai užfiksuotas. 47 ir 48

Sėdynių parinkčių naudojimas

žr. pav. 50 – 53

Pasirinkus atitinkamą režimą, vežimėlį galima naudoti dviem vaikams arba vienam vaikui vežti. Naudodami vežimėlio rėmą su sėdyne (Papildoma sėdynė antram vaikui „Versiti“), rankiniu krepšiu, „Joie“ nešiojamuoju automobiliu lopšiu („ramble“, „ramble xl“ ir „calmi“) arba „Joie“ automobiline kėdute („i-Sung 2“, „i-Gemm 3“, „i-Jemini“, „sprint“ ir „i-Level Pro“), vadovaukitės toliau pateiktais nurodymais.

! Su kai kuriais modeliais siūlomi NE visi priedai ir galimi ne visi režimai.

! Naudojant vežimėlį dviviečiu režimu, viršutinį laikiklį privaloma nustatyti į aukščiausią arba vidurinę padėtį. Konkreti viršutinio laikiklio padėtis pavaizduota 52

! Pasirinkus vienvietį režimą, vežimėlį galima naudoti tik su viršutiniu laikikliu. Sėdynė, nešiojamas automobilinis lopšys arba automobiline kėdute turi būti nustatyti į vidurinę arba žemiausią padėtį, o rankinis krepšys turi būti naudojamas tik žemiausioje padėtyje. 51 ir 52

! NENAUDOKITE vežimėlio rėmo su sėdyne, rankiniu krepšiu, nešiojamuoju automobiliu lopšiu arba automobiline kėdute, kaip parodyta 53

Priedų naudojimas

Priedai gali būti parduodami atskirai arba visai nesiūlomi, atsižvelgiant į regioną.

Naudojimas su rankiniu krepšiu

žr. pav. 54 – 56

Naudodami rankinį krepšį, vadovaukitės toliau pateiktais nurodymais.

! Prieš pritvirtindami rankinį krepšį, atlaisvinkite laikiklį iš abiejų pusių. 55

! Nesulankstykite vežimėlio, kol nenuėmėte rankinio krepšio.

Naudojimas su automobiline kėdute ant viršutinio laikiklio

žr. pav. 57 – 58

Naudodami „Joie“ automobiline kėdute, vadovaukitės toliau pateiktais nurodymais.

! Raidės ant adapterių yra tokios pačios kaip ir ant plastikinio rėmo. 59

! Pasigirdęs spragtelėjimas reiškia, kad adapteriai yra tinkamai užfiksuoti.

! Automobilinės kėdutės kampa galima reguliuoti mūsų siūlomais reguliuojamaisiais adapteriais. 58

! Adapteriai turi 3 padėtis. Nenaudokite gaminio, jei pritvirtinus automobiline kėdute kūdikio galva yra žemiau nei kojos.

! Nesulankstykite vežimėlio, kol nenuėmėte automobilinės kėdutės.

! Jei kiltų kokių nors problemų dėl automobilinės kėdutės naudojimo, skaitykite atitinkamą naudojimo instrukciją.

Naudojimas su „Joie“ automobiliu krepšiu ant viršutinio laikiklio

žr. pav. 59 – 63

Naudodami „Joie“ automobilinį lopšį, vadovaukitės toliau pateiktais nurodymais.

! Pasigirdęs spragtelėjimas reiškia, kad adapteriai yra tinkamai užfiksuoti.

! Nenaudokite vežimėlio, jei pritvirtinus nešiojamąjį automobilinį lopšį kūdikio galva yra žemiau nei kojos.

! Naudodami nešiojamąjį lopšį, visada naudokite čiužinuką.

! Nesulankstykite vežimėlio, kol prie jo yra pritvirtintas nešiojamas lopšys.

! Jei kiltų kokių nors problemų dėl nešiojamojo automobilinio lopšio naudojimo, skaitykite jo naudojimo instrukcijas.

Naudojimas su automobiline kėdute ir automobiliu lopšiu ant viršutinio laikiklio

žr. pav. 70 – 74

Naudodami „Joie“ automobiline kėdute ir nešiojamąjį automobilinį lopšį, vadovaukitės toliau pateiktais nurodymais.

! Prieš naudodami, ištraukite apatinį laikiklį abiejose pusėse. 70

! Apatinį laikiklį galima sulankstyti paspaudus abiejose pusėse esančius mygtukus. 71

! Raidės ant apatinių adapterių yra tokios pačios kaip ir ant plastikinio rėmo. 72

! Pasigirdęs spragtelėjimas reiškia, kad adapteriai yra tinkamai užfiksuoti.

! Automobilinės kėdutės kampa galima reguliuoti mūsų siūlomais reguliuojamaisiais adapteriais – galima nustatyti 3 padėtis. 53

! Nenaudokite gaminio, jei pritvirtinus automobiline kėdute arba nešiojamąjį automobilinį lopšį kūdikio galva yra žemiau nei kojos.

! Naudodami nešiojamąjį lopšį, visada naudokite čiužinuką.

! Nesulankstykite vežimėlio, kol prie jo yra pritvirtinta automobiline kėdute arba nešiojamas lopšys.

! Jei kiltų kokių nors problemų dėl automobilinės kėdutės ir nešiojamojo automobilinio lopšio naudojimo, skaitykite atitinkamas naudojimo instrukcijas.

Dangos nuo lietaus naudojimas

žr. pav. 75

Norėdami naudoti dangą nuo lietaus, uždėkite ją ant sėdynės.

! Naudodamiesi danga nuo lietaus, visada tikrinkite, ar vaikui pakanka oro.

! Kai dangos nuo lietaus nenaudojate, prieš ją sulankstydami, įsitikinkite, kad ji yra švari ir sausa.

! Nesudėkite vežimėlio, nenuėmę dangos nuo lietaus.

! Nesodinkite ir neguldykite vaiko į dangą nuo lietaus uždengtą vežimėlį esant karštam orui.

Valymas ir priežiūra

žr. pav. 76

! Vežimėlio rėmą valykite tik buitiniu muilu ir šiltu vandeniu. Nenaudokite baliklių ir skalbimo priemonių. Kaip valyti medžiagines vežimėlio dalis, žr. priežiūros etiketėje pateiktus nurodymus.

! Išimamas minkštas dalis galima plauti skalbyklėje. Nebalinkite. Labai stipriai negręžkite sėdynės apdangalo ir vidinio paminkštinimo, norėdami, kad jie greičiau išdžiūtų. Antraip sėdynės apdangalas ir vidinį paminkštinimas gali likti susiglamžę.

! Kartkartėmis patikrinkite, ar vežimėlyje nėra atsilaisvusių varžtų, nusidėvėjusių dalių, suplyšusių medžiagų ar prairusių siūlių. Jeigu reikia, dalis pakeiskite naujomis arba sutaisykite. Reguliariai valykite plastikinės dalis minkštu drėgnu skudurėliu. Jei vežimėlis sušlampa, visada nusausinkite metalines dalis, kad jos nesurūdytų.

! Dėl per didelio saulės ar karščio poveikio vežimėlio dalys gali išblukti arba deformuotis.

! Jei vežimėlis sušlapo, prieš padėdami jį į saugojimo vietą, atidarykite stogelį ir palaukite, kol jis išdžius.

! Jei ratai girgžda, naudokite neklampią alyvą (pvz., silikoninį purškiklį, nuo rūdžių apsaugančią alyvą arba siuvimo mašinų alyvą). Svarbu, kad alyvos patektų į ašies ir rato mazgą. 76

! Naudodamiesi vežimėliu paplūdimyje ar kitoje smėlio ar dulkių pilnoje aplinkoje, po naudojimo kruopščiai išvalykite visą vežimėlį, kad pašalintumėte smėlį ir druską iš mechanizmų ir ratų mazgų.

KR Joie™에 오신 것을 환영합니다

Joie의 식구가 되신 것을 축하드립니다! 아기와 함께할 여정에 작게나마 같이할 수 있어서 매우 기쁩니다. Joie versiti와 함께 다니면 높은 품질의 완전히 인증되고, 유럽 안전 표준 EN 1888-2:2018+A1:2022의 승인을 받은 유모차를 사용하게 되시는 것입니다. 이 유모차는 출생부터 15kg까지의 아기에게 후방 방향 모드에서 사용하도록 설계되어 있으며, 출생부터 22kg 또는 4세까지(둘 중 먼저 도달하는 경우) 전방 방향 모드에서 사용 가능합니다. 이 설명서를 주의깊게 읽고 각 단계를 따라 아이가 편안하고 최고로 보호된 상태로 탑승할 수 있도록 하십시오.

중요 - 주의깊게 읽고 이후에 참고하기 위해 보관하십시오.

joiebaby.com으로 당사에 방문하여 설명서를 다운로드하고 더욱 멋진 Joie 제품들을 만나보세요!

보증 정보를 확인하려면 당사 웹사이트 joiebaby.com을 방문하십시오.

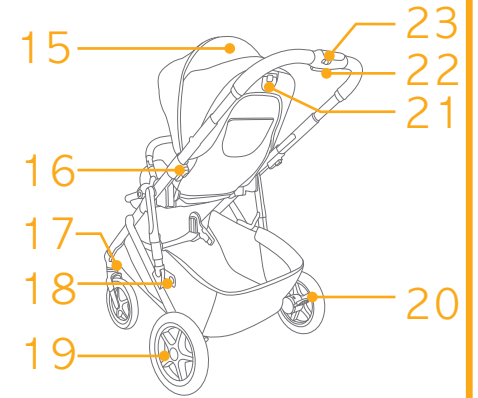
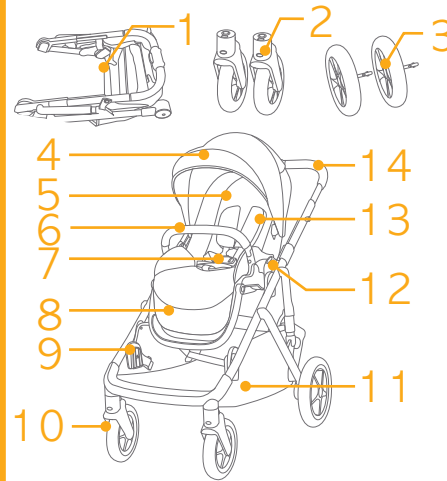
응급

응급 상황 또는 사고 발생 시 아기를 응급 처치하고 의료적 치료 조치를 즉시 취하는 것이 가장 중요합니다.

부품 목록

조립하기 전에 모든 부품이 사용 가능한지 확인하십시오. 없는 부품이 있을 경우 현지 판매업체에 문의하십시오. 조립에 별도의 공구가 필요하지 않습니다.

- | | |
|-----------|-------------------------|
| 1 유모차 프레임 | 12 시트 해제 버튼 |
| 2 앞바퀴 | 13 안전 벨트 |
| 3 뒷바퀴 | 14 손잡이 |
| 4 캐노피 | 15 캐노피 창 |
| 5 시트 패드 | 16 시트 높이 조정 버튼 |
| 6 안전 바 | 17 회전 고정 장치 |
| 7 버클 | 18 수납 래치 |
| 8 다리 받침대 | 19 뒷바퀴 |
| 9 하부 마운트 | 20 브레이크 레버 |
| 10 앞바퀴 | 21 기울임 손잡이 |
| 11 수납 바구니 | 22 핸들 조정 버튼/원터치 접이식 손잡이 |
| | 23 보조 고정 장치 |

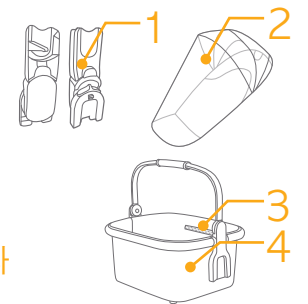


액세서리

(포함되지 않을 수 있음)

- 어댑터(특정 모델에서)
- 방수 커버(특정 모델에서)
- 핸드헬드 바구니 주머니
- 핸드헬드 바구니(특정 모델에서)

액세서리는 별도로 판매되거나 지역에 따라 제공되지 않을 수 있습니다.



경고

- ! 항상 안전장치 시스템을 사용하십시오.
- ! 사용하기 전에 모든 고정 장치를 연결했는지 확인하십시오.
- ! 아이가 이 제품을 갖고 놀지 않도록 하십시오.
- ! 사용하기 전에 유모차 차체나 시트 장치 또는 차량 시트 부착 장치가 올바르게 연결되었는지 확인하십시오.
- ! 어른이 조립해야 합니다.
- ! 각 시트에 한 아이만 유모차에 태워야 합니다. 이 유모차는 시트를 하부 마운트에 역방향으로 연결할 경우, 시트에 앉은 아이의 체중이 15kg 이하여야 하고, 다른 조합 모드로 사용할 경우, 각 시트에서 출생부터 22kg 또는 4세 중 먼저 도달하는 조건까지의 어린이를 위한 제품입니다.
- ! 시트를 하부 마운트에 역방향으로 연결한 상태에서 각 시트의 하중이 15kg을 초과하거나 다른 조합 모드에서 22kg을 초과하는 어린이와 함께 유모차를 사용하면 유모차에 과도한 마모와 스트레스를 유발할 수 있습니다.
- ! 위험하고 불안정한 상태를 방지하기 위해 수납 바구니가 10kg를 초과하지 않도록 하십시오.
- ! 아이를 혼자 두지 마십시오.
- ! 지갑, 쇼핑백, 소포 또는 액세서리를 손잡이나 캐노피에 두지 마십시오.
- ! 제조업체의 승인을 받지 않은 액세서리는 사용해서는 안 됩니다.
- ! 제조업체에서 제공하거나 권장하는 교체 부품만 사용해야 합니다.
- ! 부상을 방지하기 위해 이 제품을 펼치고 접을 때 아이가 멀리 떨어져 있도록 하십시오.
- ! 이 제품은 뛰거나 스케이팅할 때는 적합하지 않습니다.
- ! 갓 태어났을 때부터 사용하도록 설계된 유모차는 신생아를 위해 가장 기울어진 위치로 사용할 것을 권장해야 합니다.
- ! 아이를 태우고 내릴 때 주차 장치가 연결되어야 합니다.
- ! 새시와 함께 사용되는 카시트의 경우 이 유모차가 휴대용 아기

침대나 침대를 대체하지 않습니다. 아이가 자야 할 경우에는 적합한 유모차 차체나 휴대용 아기 침대, 또는 침대에 눕혀야 합니다.

- ! 아이가 스스로 앉고 뒤집기를 하고 스스로 손과 무릎을 짚고 일어날 수 있게 되는 즉시 휴대용 아기 침대는 사용하지 않아야 합니다. 아이의 최대 무게: 9kg.
- ! 제조업체에서 권장하지 않는 한 추가 매트리스를 더 넣어서는 안 됩니다.
- ! 손잡이, 등받이 뒤, 유모차 측면에 짐을 더 가중하면 유모차의 안정성에 영향을 주게 됩니다.
- ! 등받이의 뒤에 있는 수납 주머니의 최대 적재는 0.45kg(1lb)입니다.
- ! 핸드헬드 바구니의 최대 하중이 10kg입니다.

유모차 조립

(1-16페이지의 그림 참조)

이 제품을 조립하고 사용하기 전에 설명서의 모든 지침을 읽어보십시오.

유모차 열기

이미지 참조 ① - ④

수납 장착 장치에서 수납 래치를 분리한 후 ① 손잡이를 위로 들어올립니다. ② & ③ 찰칵 소리가 나면 유모차가 완전히 열린 것입니다.

! 계속 사용하기 전에 유모차가 완전히 걸렸는지 확인하십시오.

앞바퀴 조립 및 분리

이미지 참조 ⑤ - ⑥

뒷바퀴 조립 및 분리

이미지 참조 ⑦ - ⑨

완전히 조립된 유모차는 다음과 같이 표시됩니다. ⑩

유모차 작동

등받이 조절

이미지 참조 ⑪

등받이에는 4개의 기울임 각도가 있습니다.

등받이를 올리거나 기울이려면 좌석 뒷면의 기울임 손잡이를 돌리고 등받이를 아래로 당겨 내립니다. ⑪

! 기울임 각도를 조절할 때 기울임 손잡이 가운데에 있는 해제 버튼 ⑪ - 3을 누르지 마십시오.

! 기울임 정도가 사용에 맞게 적절하게 설정되었는지 확인하십시오.

! 등받이의 뒤에 있는 수납 주머니의 최대 적재는 0.45kg입니다.

버클 사용

이미지 참조 ⑫ - ⑬

유모차 해제 버튼을 누르십시오. 버클이 자동으로 해제됩니다. ⑫

버클 잠금

허리 벨트 버클과 어깨 버클 ⑬ - 1을 맞춘 후 이를 중앙 버클과 맞춰 끼우면 버클이 자동으로 잠길 수 있습니다. ⑬ - 2.

"찰칵" 소리는 버클이 완전히 잠겼음을 의미합니다. ⑬ - 3

! 떨어지거나 미끄러져 심각한 부상을 입는 일이 발생하지 않도록 하려면 항상 아이를 안전장치로 고정하십시오.

! 아이가 안락하게 고정되었는지 확인하십시오. 아이와 안전벨트 사이에 공간은 한 손이 통과할 정도입니다.

! 어깨 벨트를 교차시키지 마십시오. 이렇게 하면 아이의 목에 압박을 줄 수 있습니다.

어깨 및 허리 벨트 사용

이미지 참조 ⑭ - ⑮

! 아이를 좌석에 태운 후 아이가 떨어지지 않도록 보호하기 위해 어깨와 허리 벨트가 적절한 높이와 길이인지 확인하십시오.

⑭ - 1 안전 벨트 앵커

⑭ - 2 슬라이드 조절 장치

큰 아이의 경우 안전 벨트 앵커와 가장 높은 어깨 슬롯을 사용하십시오. 작은 아이의 경우 안전 벨트 앵커와 가장 낮은 어깨 슬롯을 사용합니다.

안전 벨트 앵커의 위치를 조절하려면 앵커를 측면을 향하도록 돌립니다. 안전 벨트 슬롯을 뒤에서 앞으로 통과시킵니다 ⑮. 아이의 어깨 높이와 가장 가까운 슬롯을 다시 통과시킵니다. ⑮

슬라이드 조절 장치를 사용하여 벨트 길이를 변경합니다. ⑮ - 1

버튼 ⑮ - 2를 누르고 허리 벨트를 적절한 길이로 당깁니다. ⑮ - 3

손잡이 바 조립 및 분리

이미지 참조 ⑯ - ⑰

다리 받침대 조정

이미지 참조 ⑱ - ㉑

다리 받침대에는 2가지로 위치를 변경할 수 있습니다.

다리 받침대를 내리려면 다리 받침대 양쪽의 조절 버튼 ㉑ - 1을 누르고 다리 받침대를 아래로 회전합니다. ㉑ - 2

다리 받침대를 올리려면 위로 미십시오. "찰칵" 소리는 다리 받침대가 완전히 잠겼음을 의미합니다.

전면 회전 고정 장치 사용

이미지 참조 ㉒

㉒와 같이 앞면 휠이 잠기거나 풀린 상태.

팁 고르지 못한 표면에 회전 고정 장치를 사용할 것을 권장합니다.

브레이크 사용

이미지 참조 ㉓ - ㉔

바퀴를 잠그려면 브레이크 레버를 아래로 밟습니다. 표시등이 빨간색으로 표시됩니다. ㉓

바퀴를 해제하려면 브레이크 레버를 다시 아래로 밟습니다. 표시등이 녹색으로 표시됩니다. ㉔

팁 스트롤러를 움직이지 않을 때는 항상 주차 브레이크를 설정하십시오.

캐노피 사용

이미지 참조 ㉕ - ㉖

캐노피는 앞이나 뒤로 당겨 열거나 접을 수 있습니다. ㉕

햇빛으로부터 아이를 최대한 보호하기 위해 캐노피를 완전히 열 수 있습니다. 지퍼를 연 후 ㉖ 캐노피를 앞쪽으로 당기기만 하면 됩니다.

캐노피에는 아이를 볼 수 있는 창이 있습니다. ㉖

캐노피를 분리할 수 있습니다. 참조: ㉖

손잡이 조절

이미지 참조 ㉗

손잡이는 5가지 형태로 사용할 수 있습니다.

시트 높이 조절

이미지 참조 ㉘

시트는 3가지 형태로 사용할 수 있습니다.

시트 높이 조절 버튼을 누르고 위로 당기면 시트 높이가 높아지고 아래로 누르면 낮아집니다. ㉘

시트 전환

이미지 참조 ㉙ - ㉚

시트는 엄마와 아이가 서로 얼굴을 마주볼 수 있도록 전환할 수 있습니다.

시트를 올리는 동안 시트 해제 버튼을 미십시오. 시트를 반대 방향으로 돌리고 시트를 시트 마운트에 삽입하십시오.

양면 시트 마운트는 ㉙와 같이 수평이어야 하며, ㉚ & ㉚와 같은 상황이 발생하면, 시트 높이 조절 버튼을 누르고 위로 당기거나 아래로 눌러 시트 마운트를 조정하여 양면 시트 마운트가 수평을 이루도록 하십시오. ㉚

안전 벨트 커버와 가랑이 벨트 커버 사용

이미지 참조 42

안전 벨트 커버나 가랑이 벨트 커버는 끈에서 분리할 수 있습니다.

안전 벨트 커버와 가랑이 벨트 커버를 조립하려면 단계를 거꾸로 따르면 됩니다.

유모차 접기

이미지 참조 45 - 46

유모차를 접기 전에 캐노피를 접으십시오.

기울임 손잡이의 가운데에 있는 버튼은 시트를 접는 데 사용됩니다. 45 - 46

접힌 유모차는 손잡이가 가장 높은 위치에 있을 때를 제외하고 세울 수 있습니다.

앞바퀴 회전 잠금 장치가 잠긴 경우 프레임을 접지 마십시오.

수납 래치가 자동으로 수납 장착 장치에 걸린 후 유모차가 완전히 접히고 잠깁니다. 47 & 48

시팅 옵션 사용

이미지 참조 51 - 52

이 유모차는 이중 모드 또는 단일 모드에서 사용할 수 있습니다. 유모차 프레임을 시트, 핸드헬드 바구니 (Versiti 추가 좌석), Joie 휴대용 아기 침대(ramble, ramble xl 및 calmi) 또는 Joie 유아 안전장치(i-Sung 2, i-Gemm 3, i-Jemini, sprint 및 i-Level Pro)와 함께 사용할 경우 다음 지침을 참조하십시오.

일부 액세서리는 일부 모델에 포함되지 않으며, 일부 모드에서는 사용할 수 없습니다.

이중 모드를 사용할 경우 상단 마운트는 가장 높은 위치 또는 중간 위치로 조정해야 합니다. 상단 마운트의 특정 위치에 대해서는 그림 51 을 참고해 주십시오.

단일 모드를 사용할 경우 상단 마운트와만 사용하십시오. 시트, 휴대용 아기 침대 또는 유아 안전장치는 중간 또는 가장 낮은 위치로 조정해야 하며, 핸드헬드 바구니는 가장 낮은 위치로만 조정해야 합니다. 51 & 52

다음 번호에 표시된 바와 같이 이 유모차 프레임을 시트, 핸드헬드 바구니, 휴대용 아기 침대 또는 유아 안전장치와 함께 사용하지 마십시오. 53

액세서리 사용

액세서리는 별도로 판매되거나 지역에 따라 제공되지 않을 수 있습니다.

핸드헬드 바구니 사용

이미지 참조 54 - 55

핸드헬드 바구니를 사용할 경우 다음 지침을 참조하십시오.

양쪽의 마운트를 열고 핸드헬드 바구니를 부착하십시오. 54

핸드헬드 바구니가 아직 부착되어 있을 경우 유모차를 접지 마십시오.

상단 마운트와 함께 유아 안전장치 사용

이미지 참조 57 - 58

Joie 유아 안전장치를 사용할 경우 다음 지침을 참조하십시오.

어댑터의 문자는 프레임 플라스틱에 있는 것과 동일합니다. 57

“찰칵” 소리는 다리 어댑터가 완전히 잠겼음을 의미합니다.

유아 안전장치 각도를 조절 가능한 어댑터로 조절할 수 있습니다. 58

어댑터는 3가지 형태로 사용할 수 있습니다. 유아 안전장치를 부착한 후 아기의 머리가 발보다 낮은 경우에는 이 제품을 사용하지 마십시오.

유아 안전장치가 아직 부착되어 있을 경우 유모차를 접지 마십시오.

유아 안전장치를 사용하는 데 문제가 있을 경우 해당 사용 설명서를 참조하십시오.

상단 마운트와 함께 Joie 휴대용 아기 침대 사용

이미지 참조 59 - 60

Joie 휴대용 아기 침대를 사용할 경우 다음 지침을 참조하십시오.

! “찰칵” 소리는 다리 어댑터가 완전히 잠겼음을 의미합니다.

! 휴대용 아기 침대를 부착한 후 아기의 머리가 발보다 낮은 경우에는 이 제품을 사용하지 마십시오.

! 휴대용 아기 침대를 사용할 때는 항상 매트리스를 사용하십시오.

! 휴대용 아기 침대가 부착된 경우 유모차를 접지 마십시오.

! 휴대용 아기 침대를 사용하는 데 문제가 있을 경우 해당 사용 설명서를 참조하십시오.

하부 마운트와 함께 유아 안전장치 또는 휴대용 아기 침대 사용

이미지 참조 71 - 72

Joie 유아 안전장치 및 휴대용 아기 침대를 사용할 경우 다음 지침을 참조하십시오.

! 사용하기 전에 양쪽의 하부 마운트를 당겨 꺼내십시오. 71

! 양쪽의 버튼을 눌러 하부 마운트를 접을 수 있습니다. 71

! 포스트 어댑터의 문자는 프레임 플라스틱에 있는 것과 동일합니다. 72

! “찰칵” 소리는 다리 어댑터가 완전히 잠겼음을 의미합니다.

! 유아 안전장치 각도를 조절 가능한 어댑터로 3가지 위치로 조절할 수 있습니다. 72

! 유아 안전장치 또는 휴대용 아기 침대를 부착한 후 아기의 머리가 발보다 낮은 경우에는 이 제품을 사용하지 마십시오.

! 휴대용 아기 침대를 사용할 때는 항상 매트리스를 사용하십시오.

! 유아 안전장치 또는 휴대용 아기 침대가 부착된 경우 유모차를 접지 마십시오.

! 유아 안전장치 및 휴대용 아기 침대를 사용하는 데 문제가 있을 경우 해당 사용 설명서를 참조하십시오.

방수 커버 사용

이미지 참조 75

방수 커버를 조립하려면 시트 위에 놓으십시오.

! 방수 커버를 사용할 때는 항상 통풍이 잘되는지 확인하십시오.

! 사용하지 않을 때는 접기 전에 방수 커버가 깨끗하고 건조한 상태인지 확인하십시오.

! 방수 커버를 조립한 후에는 유모차를 접지 마십시오.

! 날씨가 더울 때는 아이를 방수 커버가 조립된 유모차에 태우지 마십시오.

세척 및 유지 관리

이미지 참조 76

! 유모차 프레임을 청소하려면 가정용 비누와 따뜻한 물만 사용하십시오. 표백제나 세제를 사용하지 마십시오. 유모차의 천 부분 세탁에 대한 지침은 관리 라벨을 참조하십시오.

! 탈착 가능한 부드러운 제품은 세탁기로 세척할 수 있습니다. 표백제를 사용하지 마십시오. 물기를 제거하기 위해 시트 덮개 내부 패딩을 힘을 주어 비틀어 짜지 마십시오. 시트 덮개 및 내부 패딩에 주름이 남을 수 있습니다.

! 이따금 유모차에 나사가 풀렸는지, 부품이 마모되었는지, 자재나 바느질 부분이 찢어졌는지 확인하십시오. 필요에 따라 부품을 교체하거나 수리하십시오. 투명한 플라스틱 부분은 젖은 부드러운 천으로 주기적으로 닦으십시오. 유모차가 물에 닿았을 때 녹이 슬지 않도록 금속 부분을 항상 건조시키십시오.

! 햇빛이나 열에 과도하게 노출되면 바래지거나 뒤틀어지는 부분이 생길 수 있습니다.

! 유모차가 젖게 되면 보관하기 전에 캐노피를 열고 전체적으로 건조시키십시오.

! 바퀴에서 끼여거리는 소리가 나면 가벼운 오일(예: 실리콘 스프레이, 녹 방지 오일, 미싱 오일)을 사용하십시오. 오일을 축과 바퀴 어셈블리에 바르는 것이 중요합니다. 76

! 해변 또는 다른 모래/먼지가 많은 환경에서 유모차를 사용할 때는 사용하고 나서 메커니즘과 바퀴 어셈블리에 모래나 소금기가 없도록 유모차를 완전히 깨끗하게 청소하십시오.

SR Dobro došli u Joie™

Čestitamo što ste postali deo porodice Joie!
Zadovoljstvo nam je da vas pratimo na putovanju s vašim detetom. Kada putujete sa Joie versiti, koristite visokokvalitetna, u potpunosti sertifikovana kolica, odobrena po evropskim bezbednosnim standardima EN 1888-2:2018+A1:2022. Kolica su namenjena za decu od rođenja do 15 kg u načinu okrenutom unazad i od rođenja do 22 kg ili 4 godine, šta god prvo nastupi, u načinu okrenutom unapred. Pažljivo pročitajte ovo uputstvo i pratite svaki korak da biste obezbedili udobnu vožnju i najbolju zaštitu za vaše dete.

VAŽNO - PAŽLJIVO PROČITAJTE I SAČUVAJTE ZA BUDUĆU UPOTREBU.

Posetite nas na lokaciji joiebaby.com za preuzimanje uputstava i još uzbudljivih Joie proizvoda!

Za informacije o garanciji posetite našu veb-lokaciju joiebaby.com

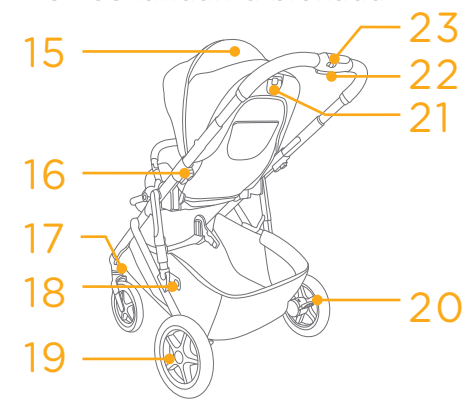
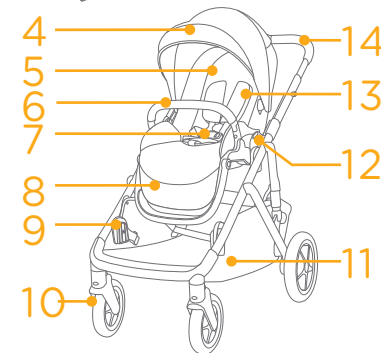
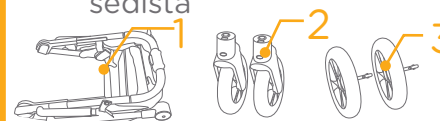
Hitni slučajevi

U hitnim slučajevima ili u slučaju nezgode, najvažnije je da se vaše dete odmah zbrine, pružanjem prve pomoći i pomoći lekara.

Lista delova

Pre sklapanja, uverite se da su svi delovi raspoloživi. Ako bilo koji deo nedostaje, obratite se lokalnom prodavcu. Za sklapanje nije potreban alat.

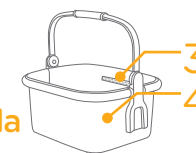
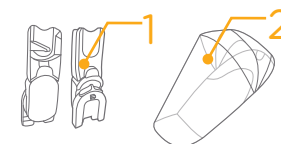
- | | | | |
|----|-----------------------------|----|--------------------------------------------------------------|
| 1 | Ram kolica | 13 | Pojasevi preko ramena |
| 2 | Prednji točkovi | 14 | Ručica |
| 3 | Zadnji točkovi | 15 | Prozor tende |
| 4 | Tenda | 16 | Dugme za podešavanje visine sedišta |
| 5 | Jastučice sedišta | 17 | Blokada okretanja |
| 6 | Prečka za ruke | 18 | Kaiš za skladištenje |
| 7 | Kopča | 19 | Zadnji točak |
| 8 | Podrška za listove | 20 | Poluga kočnice |
| 9 | Donji nosač | 21 | Ručica za naginjanje |
| 10 | Prednji točak | 22 | Dugme za podešavanje ručice/Ručica za sklapanje jednom rukom |
| 11 | Korpa za stvari | 23 | Sekundarna blokada |
| 12 | Dugme za otpuštanje sedišta | | |



Dodaci

(Možda nije uključeno)

- | | |
|---|------------------------------------------|
| 1 | Adapter (na pojedinim modelima) |
| 2 | Pokrivač za kišu (na pojedinim modelima) |
| 3 | Džep ručne korpe |
| 4 | Ručna korpa (na pojedinim modelima) |



Dodaci se mogu posebno prodavati ili možda neće biti dostupni u zavisnosti od regije.

UPOZORENJE

- ! Uvek koristite sistem za vezivanje.
- ! Uverite se da su svi mehanizmi za zaključavanje aktivirani pre upotrebe.
- ! Ne dozvolite da se dete igra sa ovim proizvodom.
- ! Proverite da li su telo kolica, jedinica sedišta ili uređaji za kačenje auto-sedišta pravilno aktivirani pre upotrebe.
- ! Odrasla osoba mora da sastavi ovaj proizvod.
- ! Koristite kolica sa samo jednim detetom u svakom sedištu. Kada je sedište pričvršćeno unazad za donji nosač, dete ne sme biti teže od 15 kg u sedištu; kada se koriste u drugim kombinacijama režima, kolica su predviđena za decu od rođenja do 22 kg ili 4 godine starosti (koji god od tih uslova bude prvi ispunjen) u svakom sedištu.
- ! Upotreba kolica za dete težine veće od 15 kg u svakom sedištu kada je sedište okrenuto unazad na donjem nosaču ili težine veće od 22 kg u kombinaciji drugih režima će prouzrokovati preterano opterećenje i habanje ovih kolica.
- ! Da biste izbegli opasnost i sprečili nestabilno stanje, ne stavljajte u korpu za stvari više od 10 kg.
- ! Nikada ne ostavljajte dete bez nadzora.
- ! Nikada ne stavljajte tašne, kese za kupovinu, pakete ili dodatne predmete na dršku ili tendu.
- ! Dodaci koje nije odobrio proizvođač se ne smeju koristiti.
- ! Moraju se koristiti samo zamenski delovi koje je obezbedio ili preporučio proizvođač.
- ! Da biste izbegli povrede, uverite se da dete nije u blizini prilikom rasklapanja ili sklapanja ovog proizvoda.
- ! Ovaj proizvod nije pogodan za trčanje ili vožnju rolera.
- ! U slučaju kolica koja su predviđena da se koriste za uzrast od rođenja, preporučuje se da se za novorođenčad koristi maksimalno oboren položaj.
- ! Uređaj za parkiranje treba da bude aktiviran prilikom stavljanja ili vađenja dece.
- ! U slučaju auto-sedišta koja se koriste zajedno sa šasijom, ova kolica nisu zamena za krevetac ili krevet. Ako vaše dete treba da spava, onda je potrebno da stavite dete u odgovarajuću nosiljku, krevetac ili krevet.
- ! Nosiljka se ne sme koristiti kada dete može samo da sedne, okrene se i podigne se na ruke i kolena. Maksimalna težina deteta: 9 kg.
- ! Dodatni dušeci se ne smeju dodavati osim kada je to preporuka proizvođača.
- ! Bilo koji teret prikačen na dršku i/ili na zadnji deo naslona za leđa i/ili sa strana kolica će uticati na stabilnost kolica.
- ! Maksimalna nosivost džepa za odlaganje na zadnjem delu naslona za leđa je 0,45 kg (1 lb).
- ! Maksimalna nosivost ručne korpe je 10 kg.

Montaža kolica

(Pogledajte slike na stranici 1-16)

Pročitajte sva uputstva u ovom uputstvu za upotrebu pre montiranja i korišćenja proizvoda.

Otvorite kolica

pogledajte slike 1 - 4

Skinite kaiš za skladištenje sa klina za skladištenje 1, zatim podignite ručicu nagore 2 & 3; zvuk klika označava da su kolica potpuno otvorena.

! Uverite se da su kolica potpuno fiksirana pre nego što nastavite sa upotrebom.

Montaža i demontaža prednjih točkova

pogledajte slike 5 - 6

Montaža i demontaža zadnjih točkova

pogledajte slike 7 - 9

Potpuno montirana kolica su prikazana pod brojem 10

Rukovanje kolicima

Podešavanje naslona za leđa

Pogledajte sliku 11

Postoji 4 uglova nagiba za naslon za leđa.

Da biste podigli ili oborili naslon za leđa, rotirajte ručicu za naginjanje na zadnjem delu sedišta i povucite naslon za leđa nadole. 11

! Ne pritiskajte dugme za otpuštanje 11 - 3 u sredini ručice za naginjanje kada podešavate ugao naginjanja.

! Uverite se da je naslon za leđa pravilno podešen za upotrebu.

! Maksimalno opterećenje džepa za odlaganje na zadnjem delu naslona za leđa je 0,45 kg.

Upotreba kopče

pogledajte slike 12 - 13

Otvaranje kopče

Pritisnite dugme, kopča će se automatski otvoriti. 12

Zaključavanje kopče

Poravnajte kopču pojasa preko struka sa kopčom pojasa preko ramena 13 - 1 i poravnajte ih s centralnom kopčom; kopča se može automatski zaključati 13 - 2. Zvuk „klika“ znači da je kopča potpuno zaključana. 13 - 3

! Da biste izbegli ozbiljne povrede usled isklizavanja ili ispadanja, uvek vežite dete pojasevima.

! Uverite se da je dete čvrsto vezano. Prostor između tela deteta i pojaseva preko ramena približno je debljine jednog dlana.

! Ne ukrštajte pojaseve preko ramena. To može da prouzrokuje pritisak na vratu deteta.

Upotreba pojaseva preko ramena i oko struka

pogledajte slike 14 - 15

! Da biste zaštitili svoje dete od ispadanja, nakon što stavite dete u sedište, proverite da li se pojasevi preko ramena i oko struka nalaze na pravilnoj visini i da li su pravilne dužine.

14 - 1 Tačka vezivanja A pojasa preko ramena

14 - 2 Klizni podešavač

Za dete krupnije građe koristite tačku vezivanja pojasa preko ramena i najviše otvore u predelu ramena. Za dete sitnije građe koristite tačku vezivanja pojasa preko ramena i najniže otvore u predelu ramena.

Da biste podesili poziciju kopče vezivanja pojasa preko ramena, okrenite kopču tako da bude u nivou sa stranom okrenutom unapred. Provucite ih kroz otvor za pojaseve preko ramena od napred prema nazad 17. Ponovo ih provucite kroz otvor koji je najbliži visini ramena deteta. 15

Koristite klizni podešavač da biste promenili dužinu pojasa. 16 - 1

Pritisnite dugme 19 - 2, dok povlačite pojas oko struka na pravilnu dužinu. 19 - 3

Montaža i demontaža prečke za ruke

pogledajte slike 20 - 22

Podešavanje podrške za listove

pogledajte slike 23 - 25

Podrška za listove ima 2 položaja.

Da spustite podršku za listove, pritisnite dugmad za podešavanje sa obe strane podrške za listove 23 - 1, a zatim rotirajte podršku za listove nadole. 23 - 2

Za podizanje podrške za listove, gurnite je nagore. Zvuk „klika“ znači da je podrška za listove potpuno zaključana.

Upotreba blokade prednjih pokretnih točkova

Pogledajte sliku 26

Status zaključanog ili otključanog prednjeg točka 26.

Savet Preporučuje se da koristite blokadu pokretnih točkova na neravnim površinama.

Upotreba kočnice

pogledajte slike 26 - 27

Da biste zaključali točkove, pomerite ručicu kočnice nadole, indikator će pokazati crveno. 26

Da biste otpustili točkove, ponovo pomerite ručicu kočnice nadole, indikator će pokazati zeleno. 27

Savet Uvek koristite parkirnu kočnicu kada se kolica ne kreću.

Upotreba tende

pogledajte slike 28 - 31

Tenda se može otvoriti ili sklopiti, povucite je unapred ili unazad. 28

Tenda se može potpuno otvoriti da biste u potpunosti zaštitili svoje dete od sunca, samo otkopčajte rajsferšlus 29, a zatim povucite tendu unapred.

Na tendi postoji prozor kroz koji možete da vidite svoju bebicu. 30

Tenda se može ukloniti kao što je prikazano 31

Za podešavanje drške

Pogledajte sliku 32

Drška ima 5 pozicije.

Podešavanje visine sedišta

Pogledajte sliku 33

Sedište ima 3 pozicije.

Pritisnite dugmad za podešavanje visine sedišta i povucite nagore da povećate ili pritisnite nadole da smanjite visinu sedišta. 33

Prebacivanje sedišta

pogledajte slike 34 - 41

Sedište se može prebaciti tako da majka i dete budu lice u lice jedno s drugim.

Gurnite dugmad za otpuštanje sedišta i pri tom ga podignite. Okrenite sedište u suprotnom smeru i zatim ubacite nosače za sedište.

Oba nosača sedišta treba da budu poravnata što je prikazano kao 34, a ako se dese situacije prikazane kao 37 & 38 pritisnite dugme za podešavanje visine sedišta i povucite nagore ili gurnite nadole da biste podesili visinu sedišta i obezbedili da oba nosača sedišta budu poravnata. 38

Upotreba pokrivača pojaseva preko ramena i pokrivača pojaseva preko prepona

Pogledajte sliku

Pokrivač pojaseva preko ramena ili pokrivač pojaseva preko prepona mogu se ukloniti s trake. Da bi se montirao pokrivač pojaseva preko ramena i pokrivač pojaseva preko prepona, ponovite korake u obrnutom redosledu.

Sklapanje kolica



pogledajte slike -

! Savijte tendu pre sklapanja kolica.

! Dugme na sredini ručice za nagnjanje služi za preklapanje sedišta.  - 1

! Sklopljena kolica mogu da stoje osim kada je ručica u najvišoj poziciji.

! Ne sklapajte ram kada je blokada prednjih pokretnih točkova zaključana.

! Kaiš za skladištenje će se automatski zakačiti na klin za skladištenje, nakon čega su kolica potpuno sklopljena i zaključana.  & 



Korišćenje opcija za sedenje

pogledajte slike -

Kolica se mogu koristiti u dvostrukom ili pojedinačnom režimu. Kada koristite okvir kolica sa sedištem (Dodatno Sedište Versiti), ručnim korpom, Joie nosiljkom (ramble, ramble xl and calm) ili Joie auto-sedištem za dete (i-Sung 2, i-Gemm 3, i-Jemini, sprint i i-Level Pro), pogledajte sledeća uputstva.

! NIJE sav pribor uključen na pojedinim modelima i nisu svi režimi dozvoljeni.

! Kada koristite dvostruki režim, gornji nosač mora da bude podešen u najviši ili srednji položaj. Pogledajte sliku  za tačan položaj gornjeg nosača.

! Kada se koristi pojedinačni režim, može se koristiti samo s gornjim nosačem. Sedište, nosiljka ili auto-sedište za dete moraju biti podešeni u srednji ili najniži položaj, ručna korpa se mora podesiti samo u najniži položaj.  & 

! NEMOJTE koristiti ram kolica sa sedištem, ručnim korpom, nosiljkom ili auto-sedištem za dete kao što je prikazano pod brojem 


Upotreba dodataka

Dodaci se mogu posebno prodavati ili možda neće biti dostupni u zavisnosti od regije.

Upotreba s ručnom korpom

pogledajte slike -

Kada koristite s ručnom korpom, pogledajte sledeća uputstva.


! Otvorite nosač sa obe strane pre nego što pričvrstite ručnu korpu. 

! Nemojte sklapati kolica kada je ručna korpa još uvek prikačena.

Upotreba sa sedištem za dete na gornjem nosaču

pogledajte slike -

Kada koristite s Joie auto-sedištem za dete, pogledajte sledeća uputstva.

! Slova na adapterima su ista kao i na plastičnim okvirima. 

! Zvuk „klika“ znači da su adapteri potpuno zaključani.

! Ugao sedišta za dete se može podesiti korišćenjem naših adaptera za podešavanje. 

! Adapteri imaju 3 pozicije. Ne koristite ovaj proizvod kada se bebina glava nalazi niže u odnosu na stopala nakon što se vežu pojasevi.

! Nemojte sklapati kolica kada je sedište za dete još uvek prikačeno.

! Ako budete imali bilo koji problem pri korišćenju sedišta za dete, pogledajte njegovo uputstvo za upotrebu.

Upotreba sa Joie nosiljkom na gornjem nosaču

pogledajte slike -

Kada koristite Joie nosiljku, pogledajte sledeća uputstva.

! Zvuk „klika“ znači da su adapteri potpuno zaključani.

! Ne koristite ovaj proizvod kada se bebina glava nalazi niže od stopala nakon što se prikači nosiljka.

! Uvek koristite madrac kada koristite nosiljku.

! Ne sklapajte kolica posle kačenja nosiljke.

! Ako budete imali bilo koji problem pri korišćenju nosiljke, pogledajte njeno uputstvo za upotrebu.


Upotreba sa auto-sedištem za dete i nosiljkom na donjem nosaču

pogledajte slike -


Kada koristite s Joie auto-sedištem za dete i nosiljkom, pogledajte sledeća uputstva.

! Izvucite donji nosač sa obe strane pre upotrebe. 

! Donji nosač se može sklopiti pritiskom na dugmad sa obe strane. 

! Slova na adapterima za postolje su ista kao i na plastičnim okvirima. 

! Zvuk „klika“ znači da su adapteri potpuno zaključani.

! Ugao sedišta za dete se može podesiti u 3 pozicije korišćenjem naših adaptera za podešavanje. 

! Ne koristite ovaj proizvod kada se bebina glava nalazi niže u odnosu na stopala nakon što se prikači sedište za dete ili nosiljka.

! Uvek koristite madrac kada koristite nosiljku.

! Ne sklapajte kolica posle kačenja sedišta za dete ili nosiljke.

! Ako budete imali problema pri korišćenju sedišta za dete i nosiljke, pogledajte njegovo uputstvo za upotrebu.

Upotreba pokrivača za kišu

Pogledajte sliku

Za montažu pokrivača za kišu postavite ga preko sedišta.

! Kada koristite pokrivač za kišu, uvek proverite njegovu ventilaciju.

! Kada se ne koristi, uverite se da je pokrivač za kišu očišćen i osušen pre sklapanja.

! Ne sklapajte kolica posle montaže pokrivača za kišu.

! Ne stavljajte dete u kolica s montiranim pokrivačem za kišu tokom visokih temperatura.

Čišćenje i održavanje

Pogledajte sliku

! Da biste očistili ram kolica, koristite samo sapun za upotrebu u domaćinstvu i toplu vodu. Ne koristite izbeljivač ili deterdžent. Pogledajte etiketu za brigu o proizvodu za uputstva o čišćenju delova od tkanine na kolicima.

! Meki dodaci koji se mogu ukloniti se mogu oprati u mašini za veš. Ne koristite izbeljivač. Ne koristite preveliku silu kada uvrćete pokrivač sedišta i unutrašnju postavu da biste ih osušili. To može dovesti do nabora na pokrivaču sedišta i unutrašnjoj postavi.

! Povremeno proveravajte da li na vašim kolicima postoje olabavljeni vijci, pohabani delovi, pocepani materijal ili šavovi. Zamenite ili popravite takve delove prema potrebi. Povremeno očistite plastične delove koristeći meku, vlažnu krpu. Uvek osušite metalne delove da biste sprečili nastanak rđe ako su kolica bila u kontaktu s vodom.

! Predugo izlaganje sunčevim zracima ili toploti može dovesti do toga da delovi izblede ili se iskrive.

! Ako se kolica pokvase, otvorite tendu i ostavite ih da se potpuno osuše pre nego što ih odložite.

! Ako točkovi škripe, koristite lako ulje (npr. silikonski sprej, ulje protiv rđe ili ulje za šivaće mašine). Važno je da nanese ulje na sklop točka i osovine. 

! Kada koristite kolica na plaži ili u sličnom okruženju s peskom ili prašinom, nakon upotrebe potpuno očistite kolica da biste uklonili pesak i so iz mehanizma i točkova.



Allison Baby UK Ltd,
Venture Point, Towers Business Park
Rugeley, Staffordshire, WS15 1UZ

NUNA International B.V.
Van der Valk Boumanweg 178 C,
2352 JD Leiderdorp, The Netherlands

view all fine signature selections at
joiebaby.com/signature